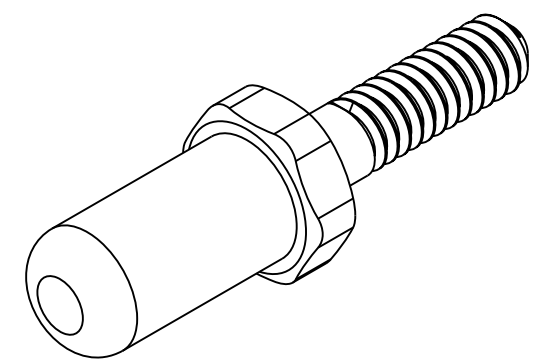
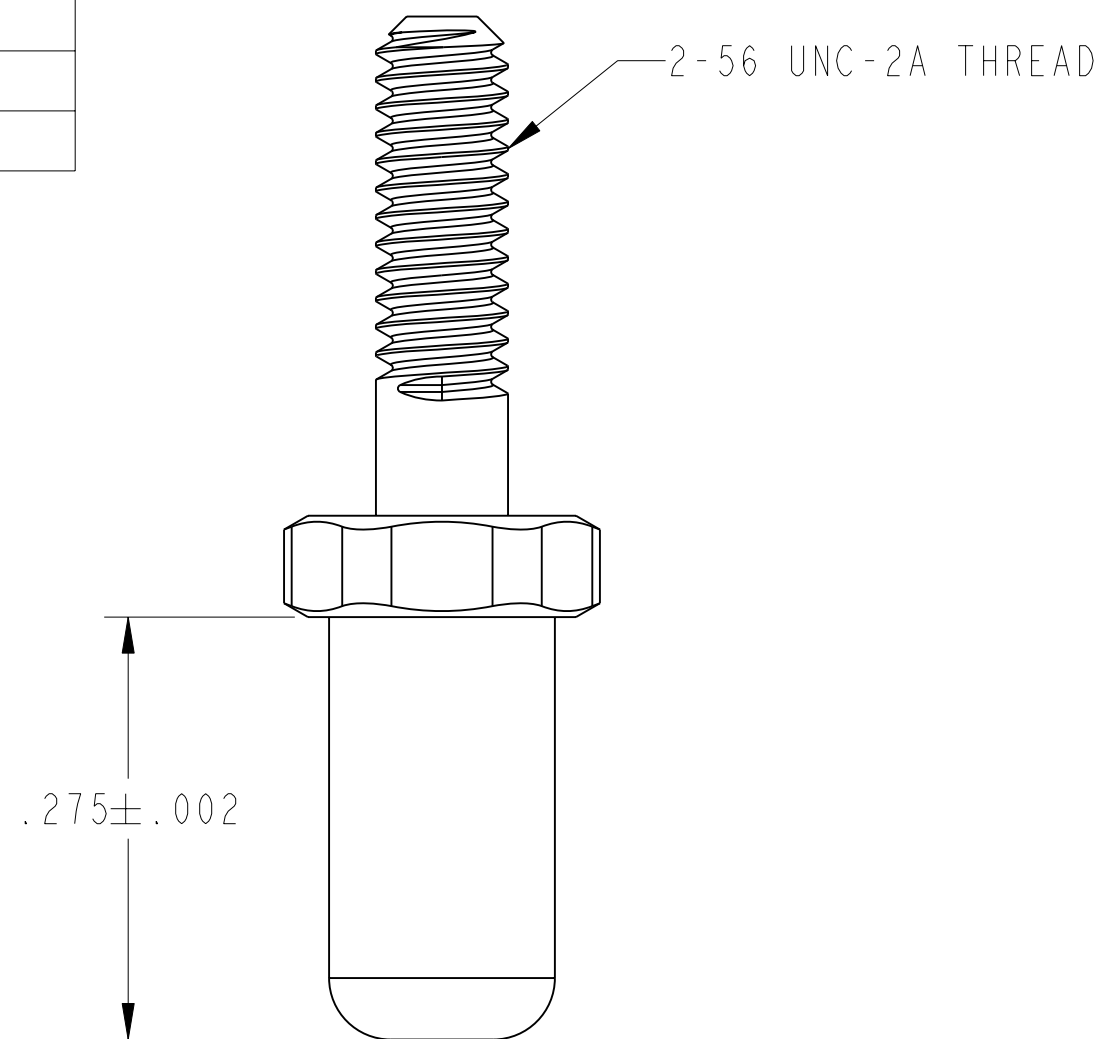
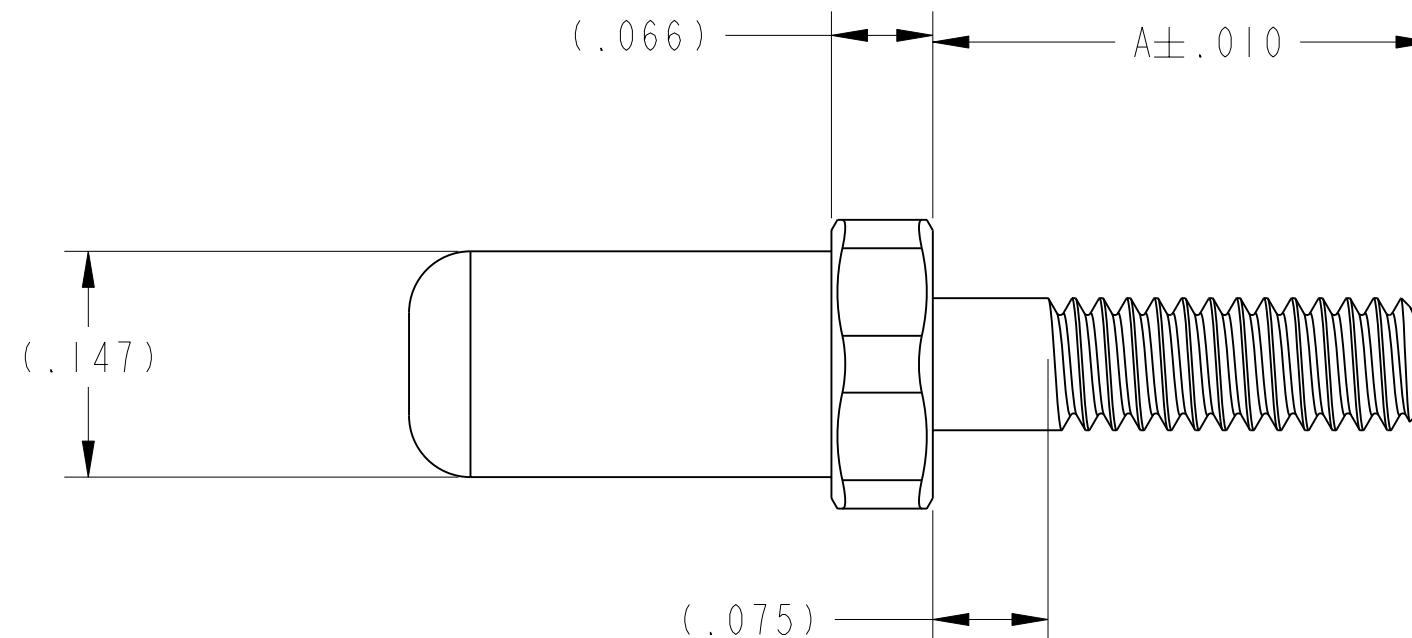
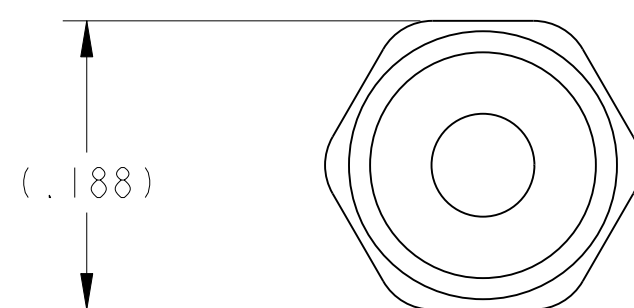


E		SHEET 1 OF 1		HDB-508802-( )	
REVISIONS					
LTR	DESCRIPTION	DATE			
A	INITIAL RELEASE	08/08/2007			
B	CL (11) SEE CHANGE NOTICE ECNA4197-0000	12/14/2007 DM			
C	CL (11) SEE CHANGE NOTICE ECN: B0846-0000	01/13/2011 D. MORSE			
D	CL(11) SEE CHANGE NOTICE ECN: B5712	1/30/13 RKC			
E	CL (11) SEE CHANGE NOTICE ECN: B6096-0000	3/25/13 MRG			

PART NUMBER	A	CONNECTOR STICKOUT (REF)
HDB-508802-001	.325	.250
HDB-508802-002	.575	.500
HDB-508802-003	.825	.750
HDB-508802-004	.275	.200
HDB-508802-005	.340	.265
HDB-508802-006	.515	.440



SCALE 5.000



NOTES: 1. USE TABLE TO COMPLETE PART NUMBER SUFFIX.

THE USE OF THIS DOCUMENT IS UNLIMITED. HOWEVER, DOCUMENTS REFERENCED HEREON MAY CONTAIN LIMITED RIGHTS DATA.

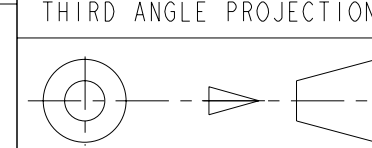
N/A  
NEXT ASSEMBLY

PRO/ENGINEER INFORMATION  
Pro/e Model Used:  
10-508802-001.PART  
Drawing Name:  
HDB-508802-000

UNLESS OTHERWISE SPECIFIED  
LINEAR DIMENSIONS ARE IN INCHES  
TOLERANCES:  
.XXXX = ±.0005 ANGLES= ±2°  
.XXX = ±.010  
.XX = ±.03  
.X = ±.1  
DIM. & TOL. PER ASME Y14.5M;  
DRM PER MIL-DTL-31000;  
OTHER Amphenol Stds. PER 9-3800  
LEGENDS:  
=FLAG NOTE CALL OUT  
REFERENCE ONLY

SPECIFICATIONS  
MATERIAL SPEC.  
STAINLESS STEEL  
AMS 5640  
PROCESS SPEC.  
PASSIVATED

POS	QTY	PART NUMBER	DESCRIPTION	NOTE
M/F 10-508802-( )				
PARTS LIST				
<b>AMPHENOL CORPORATION</b> 40-60 DELAWARE AVENUE SIDNEY, N.Y. 13858				
<b>GUIDE PIN</b> <b>MOTHER BOARD CONNECTOR</b> <b>HDB3 CONNECTOR SERIES</b>				
SIZE	CAGE CODE	DOCUMENT NO.	REV.	
C	77820	HDB-508802-( )	E	
SCALE: 8.0		REF. N/A	SHEET 1 OF 1	



HDB-508802-( )

SHEET 1 OF 1

REV. E

C

B

A

FORMAT: C-0-E-1

VERSION 01

REVISION E

RELEASE STATE WIP

REV. E

SHEET 1 OF 1

HDB-508802-( )

## X-ON Electronics

Largest Supplier of Electrical and Electronic Components

*Click to view similar products for [Rectangular Mil Spec Connectors](#) category:*

*Click to view products by [Amphenol](#) manufacturer:*

Other Similar products are found below :

[891-011-15SA2-BSST](#) [CTS-S16/16](#) [65002-062](#) [CY4602-000](#) [732-8020-01](#) [77058-22-55PN](#) [81542-20](#) [86.030.0053.0](#) [1241346-1](#) [RM252-020-311-2900](#) [DMC-M 08-16 SA](#) [1589051-4](#) [MSO34MPK1E1](#) [BACC65CAMA](#) [BACC65CP1PN](#) [BACI10BC0816PNBA](#) [HSB-D4S03DM222X](#) [2217548-1](#) [891-006-9PS-BST1T](#) [891-009-15SA2-BRT1T](#) [27963-20T12](#) [SIM2S100A](#) [1604996-2](#) [SMD25PN90L-4055](#) [1900ND08S1B00A](#) [22628-10-6P-791](#) [33526M11-08PD](#) [RE04-212S](#) [M32139/03-G05SN](#) [CTD160E01F-6148](#) [CTJ112E03B](#) [CTJ122E02D-8000](#) [CTJ-3D-12](#) [CTJ920E06N-513](#) [CTJ920E12N-513](#) [CTL-16-090](#) [RM300-000-581-0000](#) [CY4600-000](#) [CY4601-000](#) [38111-14-15SN](#) [38112-14-15PN](#) [MMA23-0111R1](#) [MMD25-0071P1](#) [33516062020](#) [33526M11-08PE](#) [DMC-M99-01AN](#) [Y59113WE20PNV00300](#) [ZPF000000000106310](#) [105979-31](#) [EN4165M01AD0G0](#)