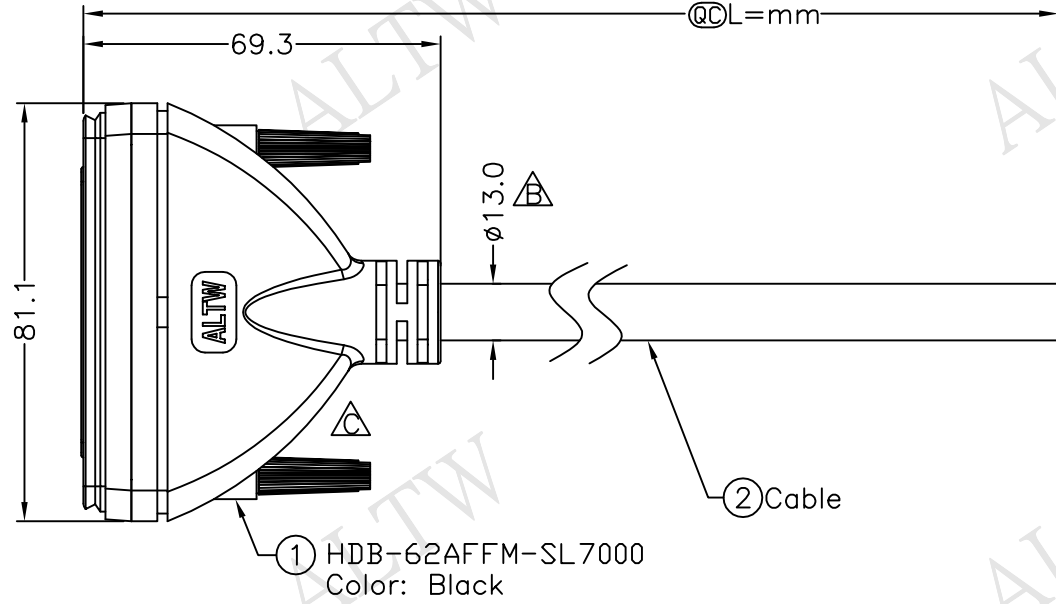
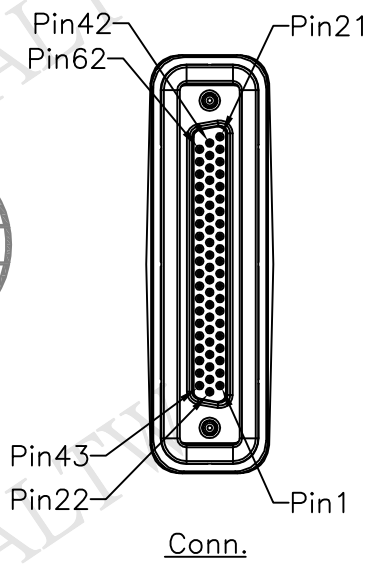
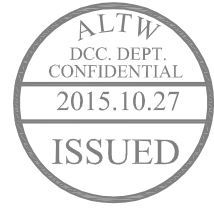


REV.	ECN NO.	DATE	SIGN	DESCRIPTION
A	Initial Release	2007/11/23	Robert Hsu	
B	LEN12B0011~14	2012/10/31	Ruru	Modify Note.
C	LEN15A0393~96	2015/10/13	Ruru	Change Logo & Note

Initial Release



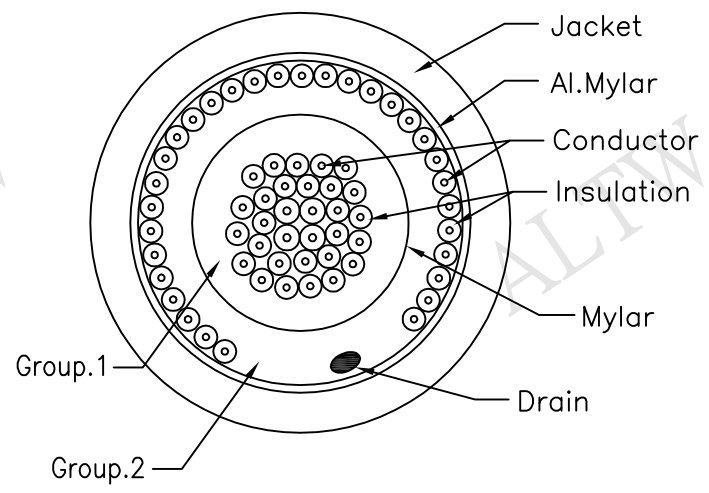
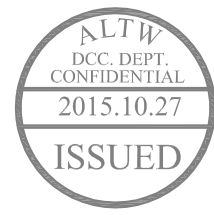
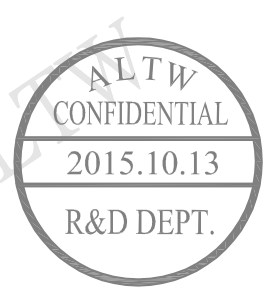
HDB-62AFFM-SL7AXX
 XX :01~99Meters
 01 :01Meters
 02 :02Meters
 :
 :
 99 :99Meters
 Cable Length(L):01~99Meters

- Note:
- * @C Important Dimension To Check.
 - * Waterproof Rate: IP67
 - * Housing: ABS, Black
 - * Conn.: D-Sub 62 Pin, Female
 - * Gasket: EPDM, Black
 - * Screw: Big EPC
 - △* Cable: UL2464 (31C*26#+MY)+31C*26#+AL/MY+D, PVC Jacket(UV Resistant), OD=13.0, Black.
 - △* Cable Length Tolerance: 01M: ±40mm
 02M~05M: ±60mm
 06M~10M: ±100mm
 11M~30M: ±200mm
 31M~99M: ±500mm

UNIT:mm TOLERANCE ±0.5 mm	TITLE D-Sub Conn Cable Screw DB62P F Conn F Pin		Amphenol LTW 安費諾亮泰企業股份有限公司	ITEM NO	DRAWN BY Ruru	DATE 2015/10/13
	SCALE Free	SHEET 1 OF 2		DWG NO HDB-62AFFM-SL7AXX	CHECKED BY Rita	DATE 2015/10/13
	REV. C	SIZE A4		@C :Inspection Item	CUSTOMER ALTW	APPROVED BY Lisa

THIS DOCUMENT IS SUBJECT TO CHANGE WITHOUT NOTICE. IT IS CONFIDENTIAL AND A PROPERTY OF Amphenol LTW. DISCLOSURE TO THIRD PARTY HAS TO BE AUTHORIZED BY Amphenol LTW.

		Shell	Drain	
F	31	Light Blue/Red	62	Light Blue/Red
	30	Light Blue/Black	61	Light Blue/Black
	29	Light Blue	60	Light Blue
	28	Pink/Green	59	Pink/Green
	27	Pink/Blue	58	Pink/Blue
	26	Pink/Red	57	Pink/Red
	25	Pink/Black	56	Pink/Black
	24	Gray/Black	55	Gray/Black
E	23	Green/Black	54	Green/Black
	22	Yellow/Black	53	Yellow/Black
	21	Orange/Black	52	Orange/Black
	20	Red/Black	51	Red/Black
	19	Purple/White	50	Purple/White
	18	Blue/White	49	Blue/White
D	17	Green/white	48	Green/white
	16	Orange/White	47	Orange/White
	15	Red/White	46	Red/White
	14	Brown/White	45	Brown/White
	13	Black/White	44	Black/White
	12	Light Green	43	Light Green
	11	Pink	42	Pink
C	10	White	41	White
	9	Gray	40	Gray
	8	Purple	39	Purple
	7	Blue	38	Blue
	6	Green	37	Green
B	5	Yellow	36	Yellow
	4	Orange	35	Orange
	3	Red	34	Red
	2	Brown	33	Brown
	1	Black	32	Black
	Conn.	Wire Color	Conn.	Wire Color
	Group1 Pin Out		Group2 Pin Out	



UNIT:mm		TITLE	D-Sub Conn
TOLERANCE	±0.5 mm		Cable Screw DB62P F Conn F Pin
SCALE	Free	SHEET	2 OF 2
REV.	C	SIZE	A4
		QC	:Inspection Item

Amphenol LTW
安費諾亮泰企業股份有限公司

ITEM NO	DRAWN BY	DATE
DWG NO	CHECKED BY	DATE
CUSTOMER	APPROVED BY	DATE
	Ruru	2015/10/13
HDB-62AFFM-SL7AXX	Rita	2015/10/13
ALTW	Lisa	2015/10/13

THIS DOCUMENT IS SUBJECT TO CHANGE WITHOUT NOTICE. IT IS CONFIDENTIAL AND A PROPERTY OF Amphenol LTW. DISCLOSURE TO THIRD PARTY HAS TO BE AUTHORIZED BY Amphenol LTW.

X-ON Electronics

Largest Supplier of Electrical and Electronic Components

Click to view similar products for [D-Sub High Density Connectors](#) category:

Click to view products by [Amphenol](#) manufacturer:

Other Similar products are found below :

[97-3250-11](#) [163A16809X](#) [163A17089X](#) [164A17199X](#) [242A25680X](#) [L717HDB44POL2R210](#) [L717HDEH15POL2](#) [L777HDE15P](#)
[L77HDE15SC309](#) [163A16759X](#) [163A16839X](#) [163A16989X](#) [163A17079X](#) [164A17329X](#) [164A18219X](#) [241A16440X](#) [241A16550X](#)
[241A16680X](#) [241A20810X](#) [241A25740X](#) [CT25-44P](#) [MDBE15PE766](#) [L177HDE15SOL2RM23](#) [L177HRC62S](#) [L177HRC62SVFM](#)
[L177HRCG62S](#) [L717HDEG15POL2RM5](#) [L77HDA26SVF](#) [L77HDE15SD1CO](#) [L77HDEH15SOL2RM832](#) [443895-3](#) [106698-1](#) [280-012K2C](#)
[L177HRB44S](#) [164A17039X](#) [09562004701510](#) [164A17969X](#) [241A17960X](#) [164A18269X](#) [280-019S1S9MEN](#) [L777HDEG15P](#) [280-](#)
[018P3S25MEGN](#) [206504-2](#) [40-9515HDSP](#) [2057140-1](#) [C115370-6002](#) [DFMA104SNMBFR172FR022](#) [HDC9F200E2S](#)
[L717HDAG26POL2RM8](#) [241A28180X](#)