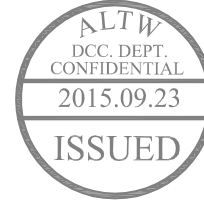
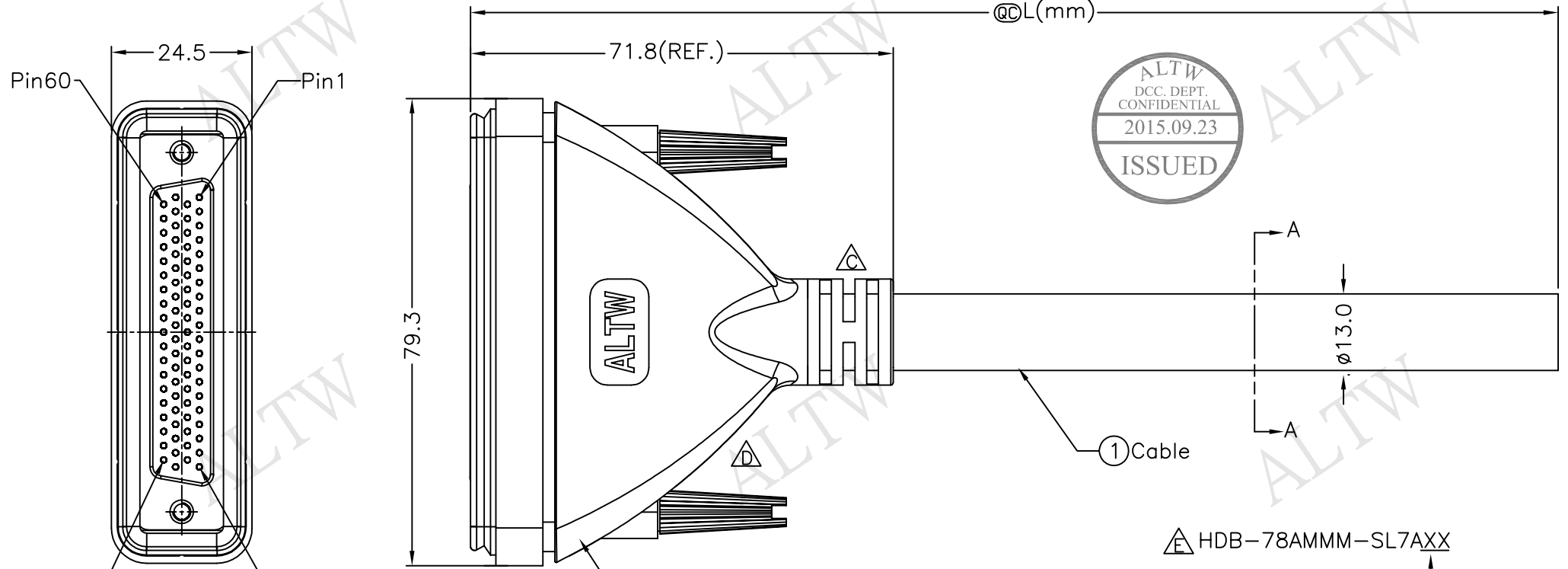


REV.	ECN NO.	DATE	SIGN	DESCRIPTION
C	LEN-960044~47	2009/03/12	Li Xiu Zhi	Change SR
D	LEN1590016~19	2015/08/18	Ruru	Changer Logo
E	LEN1590458~461	2015/09/11	Vicky	Update Item No.

THIS DOCUMENT IS SUBJECT TO CHANGE WITHOUT NOTICE. IT IS CONFIDENTIAL AND A PROPERTY OF Amphenol LTW. DISCLOSURE TO THIRD PARTY HAS TO BE AUTHORIZED BY Amphenol LTW.



① Cable

△ HDB-78AMMM-SL7AXX

② HDB-78AMMM-SL7000 △
Color: Black

XX :01~99Meters
01 :01Meter
02 :02Meters
.....
99 :99Meters
Cable Length(L):01~99Meters



UNIT:mm	
TOLERANCE	
±0.5 mm	

TITLE			
D-SUB CONN CABLE SCREW HD78P M CONN M PIN			
SCALE	Free	SHEET	1 OF 2
REV.	E	SIZE	A4
QC :Inspection Item			

Amphenol LTW
安費諾亮泰企業股份有限公司

ITEM NO	
DWG NO	HDB-78AMMM-SL7AXX
CUSTOMER	ALTW

DRAWN BY	Vicky
CHECKED BY	Rita
APPROVED BY	Lion

DATE	2015/09/11
DATE	2015/09/11
DATE	2015/09/11

ALTW

ALTW

ALTW

ALTW

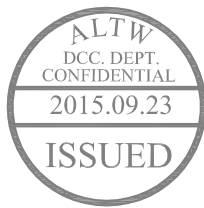
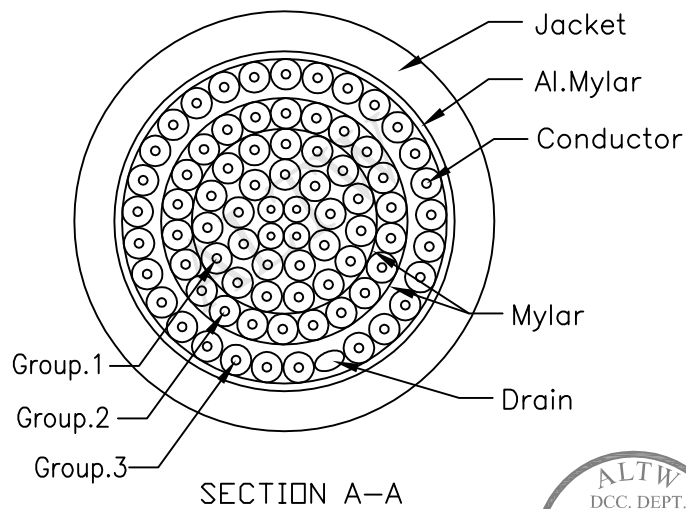
ALTW

ALTW

ALTW

ALTW

THIS DOCUMENT IS SUBJECT TO CHANGE WITHOUT NOTICE. IT IS CONFIDENTIAL AND A PROPERTY OF Amphenol LTW. DISCLOSURE TO THIRD PARTY HAS TO BE AUTHORIZED BY Amphenol LTW.



Group1 Pin Out			Group2 Pin Out			Group3 Pin Out			
Pin	Wire Color	Pin	Wire Color	Pin	Wire Color	Pin	Wire Color	Pin	Wire Color
28	Pink/Green 粉/綠	50	Yellow/Black 黃/黑	72	Yellow/Black 黃/黑	78	Pink/Green 粉/綠		
27	Pink/Blue 粉/藍	49	Orange/Black 橙/黑	71	Orange/Black 橙/黑	77	Pink/Blue 粉/藍		
26	Pink/Red 粉/紅	48	Red/Black 紅/黑	70	Red/Black 紅/黑	76	Pink/Red 粉/紅		
25	Pink/Black 粉/黑	47	Purple/White 紫/白	69	Purple/White 紫/白	75	Pink/Black 粉/黑		
24	Gray/Black 灰/黑	46	Blue/White 藍/白	68	Blue/White 藍/白	74	Gray/Black 灰/黑		
23	Green/Black 綠/黑	45	Green/White 綠/白	67	Green/White 綠/白	73	Green/Black 綠/黑		
22	Yellow/Black 黃/黑	44	Orange/White 橙/白	66	Orange/White 橙/白	72	Yellow/Black 黃/黑		
21	Orange/Black 橙/黑	43	Red/White 紅/白	65	Red/White 紅/白	71	Orange/Black 橙/黑		
20	Red/Black 紅/黑	42	Brown/White 棕/白	64	Brown/White 棕/白	70	Red/Black 紅/黑		
19	Purple/White 紫/白	41	Black/White 黑/白	63	Black/White 黑/白	69	Purple/White 紫/白		
18	Blue/White 藍/白	40	Light Green 淺綠	62	Light Green 淺綠	68	Blue/White 藍/白		
17	Green/White 綠/白	39	△ Pink 粉	61	△ Pink 粉	67	Green/White 綠/白		
16	Orange/White 橙/白	38	△ White 白	60	△ White 白	66	Orange/White 橙/白		
15	Red/White 紅/白	37	Gray 灰	59	Gray 灰	65	Red/White 紅/白		
14	Brown/White 棕/白	36	Purple 紫	58	Purple 紫	64	Brown/White 棕/白		
13	Black/White 黑/白	35	Blue 藍	57	Blue 藍	63	Black/White 黑/白		
12	Light Green 淺綠	34	Green 綠	56	Green 綠	62	Light Green 淺綠		
11	△ Pink 粉	33	Yellow 黃	55	Yellow 黃	61	△ Pink 粉		
10	△ White 白	32	Orange 橙	54	Orange 橙	60	△ White 白		
9	Gray 灰	31	Red 紅	53	Red 紅	59	Gray 灰		
8	Purple 紫	30	Brown 棕	52	Brown 棕	58	Purple 紫		
7	Blue 藍	29	Black 黑	51	Black 黑	57	Blue 藍		
6	Green 綠					56	Green 綠		
5	Yellow 黃					55	Yellow 黃		
4	Orange 橙					54	Orange 橙		
3	Red 紅					53	Red 紅		
2	Brown 棕					52	Brown 棕		
1	Black 黑					51	Black 黑		

- Note:
- * @C Important Dimension To Check
 - * Waterproof Rate: IP67
 - * Housing: ABS, Black
 - * Male Pin: Copper Alloy, Gold Plated
 - * Gasket: EPDM, Black
 - * Screw: Steel, Nickel Plated
 - * Cable: UL2464 {(28C*28AWG + Myl)+22C*28AWG + My } +28C*28AWG+D+AL/My(PVC Jacket UV Resistant)
OD=13.0mm, Black
 - * Cable Length Tolerance:01M: ±40mm
02M~05M: ±60mm
06M~10M: ±100mm
11M~30M: ±200mm
31M~99M: ±500mm

UNIT:mm	
TOLERANCE	±0.5 mm

TITLE D-SUB CONN CABLE SCREW HD78P M CONN M PIN	
SCALE Free	SHEET 2 OF 2
REV. E	SIZE A4
QC :Inspection Item	

Amphenol LTW
安費諾亮泰企業股份有限公司

ITEM NO	DWG NO HDB-78AMMM-SL7AXX
CUSTOMER ALTW	

DRAWN BY Vicky	DATE 2015/09/11
CHECKED BY Rita	DATE 2015/09/11
APPROVED BY Lion	DATE 2015/09/11

X-ON Electronics

Largest Supplier of Electrical and Electronic Components

Click to view similar products for [D-Sub Standard Connectors](#) category:

Click to view products by [Amphenol](#) manufacturer:

Other Similar products are found below :

[56F706-005-LI](#) [56F711-015](#) [LV242999-142T12](#) [015-0341-000](#) [015-0349-000](#) [015-0350-000](#) [015-8544-011](#) [015-8755-001](#) [017041-0005](#)
[020419-0104](#) [012-0467-000](#) [012-9507-114](#) [020745-0008](#) [609-25P](#) [609-9P](#) [M24308/2-23Z](#) [M24308/2-36Z](#) [CT0-24-10SC](#) [CT0E20-8PS](#)
[CT0E22-14SC](#) [CT0F16S-1SC](#) [CT0FA22-1SS](#) [CT0P14S-5SXS](#) [CT0P22-14PS](#) [CT0TA16-11SXCA232](#) [CT0U22-14PSA206F127](#) [CT1E20-](#)
[19SS](#) [CT1E20-22SCAU-G9](#) [CT1F22-14PC-G9](#) [CT1FC22-2PC](#) [CT1FC24-28SSAU](#) [CT1N22-22SS](#) [CT2-10SL-3SC](#) [CT2-14S-2PCA34](#) [CT2-](#)
[18-10PS-FMLB-D](#) [CT2-18-11PCAU](#) [CT2-18-1PSAUA34](#) [CT2-22-19SC](#) [CT2-22-19SS-A206](#) [CT2-24-2PS](#) [CT2-28-12SC](#) [CT2-28-](#)
[12SCA232](#) [CT2-28-12SSA232](#) [CT6-10SL-3SC](#) [CT6-10SL-4SC](#) [CT6-16-12SC](#) [CT6-18-10PSA206](#) [CT6-18-10PSA232](#) [CT6-18-](#)
[10SSF127A206](#) [CT6-28-22SS](#)