

DIMENSIONAL DRAWING & HOW TO ORDER

HDB³ DAUGHTER BOARD - HOW TO ORDER

Mates with:

- Mother Board

1. Connector Type

HDB-D4

Designates HDB³ Daughter Board

	1.	2.	3.	4.	5.	
		Number of Contacts	Brush Wire Plating	Termination	Contact Termination Finish	Less Hardware (Purchased separately see pg X for hardware options)
HDB-D4	HDB-D4	-040	M	01	2	X

2. Number of Contacts

	Number of Contacts	Dimension A	Dimension C
040	40	1.375	1.075
060	60	1.725	1.425
080	80	2.075	1.775
120	120	2.775	2.475
160	160	3.475	3.175

3. Brush Wire Plating

M	0.000050 Au Min. thick over Nickel
C	0.000020 Au Min. thick over Nickel

4. Termination

	Type	Stickout (Dim. E)
01	PCB, Right Angle, .016 Dia.	0.090
02	PCB, Right Angle, .016 Dia.	0.120
03	PCB, Right Angle, .016 Dia.	0.150
04	PCB, Right Angle, .016 Dia.	0.180
06	PCB, Right Angle, .016 Dia.	0.300

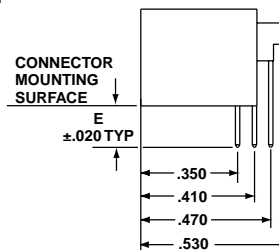
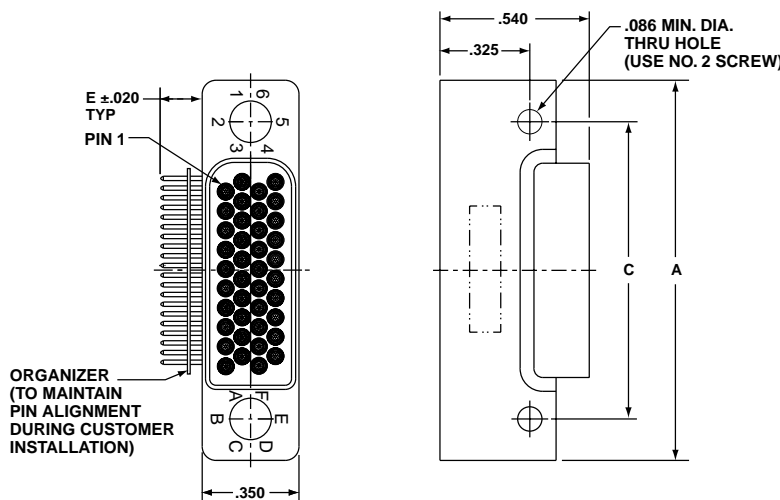
5. Contact Termination Finish

2	Gold plated in accordance with MIL-G-45204, Type II, .000030 Min. thick Gold over .000050 Min. thick Nickel
5	Tin plated in accordance with ASTM B545, .00010 Min. thick Matte Tin over .00010 Min. thick Nickel
6	Tin-Lead plated in accordance with SAE-AMS-P-81728, .00010 Min. thick Tin-Lead over .00010 Min. thick Copper

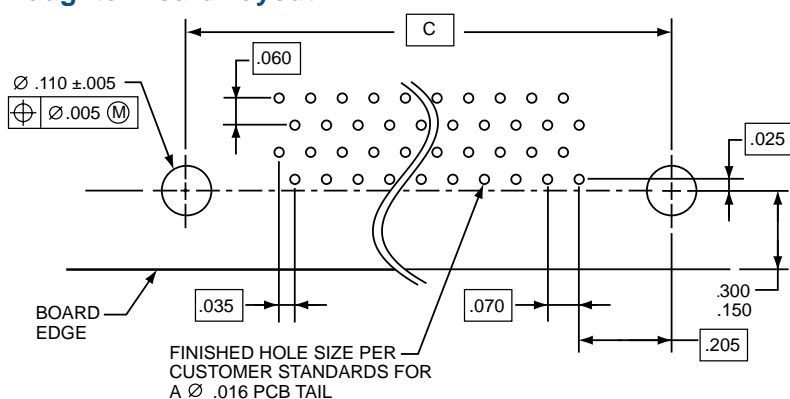
6. Hardware

X Less Hardware

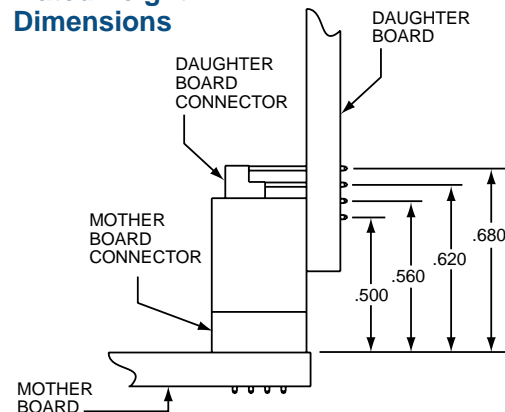
Hardware is purchased separately (see page 59 for hardware options).



Daughter Board Layout



Mated Height Dimensions



Introduction/
Pkg. Solutions/
Brush Contact

LRM (Line Replaceable Modules)
Staggered/ Hybrid - Fiber Optics/
GEN-X

Options/
Accessories
Hi Speed/RF/Power

Ruggedized
VME 64x/
VITA 60, 66

High Density
HDB³
HSB³
Hi Speed

Low Mating Force MIL-DTL-55302
Standard Brush

Hybrid - Signal/Power/
Cook/Fiber Optics

Docking Conn./
Accessories/Install.

Rack & Panel
Brush
Ruggedized

UMD/LMS
Rectangular
Interconnects

Other
Rectangular
Interconnects

X-ON Electronics

Largest Supplier of Electrical and Electronic Components

Click to view similar products for [Rectangular MIL Spec Connectors](#) category:

Click to view products by [Amphenol](#) manufacturer:

Other Similar products are found below :

[891-011-15SA2-BSST](#) [CTS-S16/16](#) [65002-062](#) [CY4602-000](#) [732-8020-01](#) [77058-22-55PN](#) [81542-20](#) [86.030.0053.0](#) [1241346-1](#) [RM252-020-311-2900](#) [DMC-M 08-16 SA](#) [1589051-4](#) [MSO34MPK1E1](#) [BACC65CAMA](#) [BACC65CP1PN](#) [BACI10BC0816PNBA](#) [HSB-D4S03DM222X](#) [2217548-1](#) [891-006-9PS-BST1T](#) [891-009-15SA2-BRT1T](#) [27963-20T12](#) [SIM2S100A](#) [1604996-2](#) [SMD25PN90L-4055](#) [1900ND08S1B00A](#) [22628-10-6P-791](#) [33526M11-08PD](#) [RE04-212S](#) [M32139/03-G05SN](#) [CTD160E01F-6148](#) [CTJ112E03B](#) [CTJ122E02D-8000](#) [CTJ-3D-12](#) [CTJ920E06N-513](#) [CTJ920E12N-513](#) [CTL-16-090](#) [RM300-000-581-0000](#) [CY4600-000](#) [CY4601-000](#) [38111-14-15SN](#) [38112-14-15PN](#) [MMA23-0111R1](#) [MMD25-0071P1](#) [33516062020](#) [33526M11-08PE](#) [DMC-M99-01AN](#) [Y59113WE20PNV00300](#) [ZPF000000000106310](#) [105979-31](#) [EN4165M01AD0G0](#)