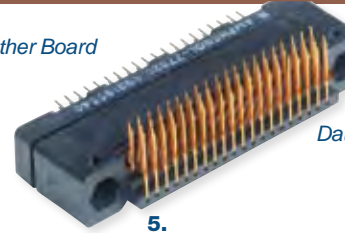


Mother Board



Daughter Board

### HDB<sup>3</sup> MOTHER BOARD - HOW TO ORDER

Mates with:

- Daughter Board
- I/O
- Stacker

#### 1. Connector Type

##### HDB-M4

Designates HDB<sup>3</sup> Mother Board

	1.	2.	3.	4.	5.	6.
	Connector Type	Number of Contacts	Brush Wire Plating	Termination	Contact Termination Finish	Less Hardware (Purchased separately see pg XX for hardware options)
<b>HDB-M4</b>	<b>HDB-M4</b>	<b>-040</b>	<b>M</b>	<b>24</b>	<b>2</b>	<b>X</b>

#### 2. Number of Contacts

	Number of Contacts	Dimension A	Dimension C
<b>040</b>	40	1.375	1.075
<b>060</b>	60	1.725	1.425
<b>080</b>	80	2.075	1.775
<b>120</b>	120	2.775	2.475
<b>160</b>	160	3.475	3.175

#### 3. Brush Wire Plating

<b>M</b>	0.000050 Au Min. thick over Nickel
<b>C</b>	0.000020 Au Min. thick over Nickel

#### 4. Termination

	Type	Stickout (Dim. E)
<b>22</b>	PCB, Straight, .016 Dia	0.120
<b>23</b>	PCB, Straight, .016 Dia	0.150
<b>24</b>	PCB, Straight, .016 Dia	0.180
<b>26</b>	PCB, Straight, .016 Dia	0.240
<b>28</b>	PCB, Straight, .016 Dia	0.300

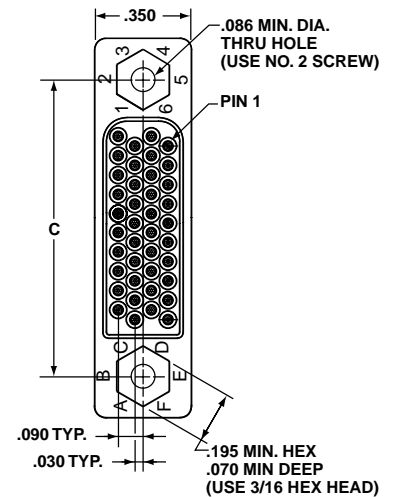
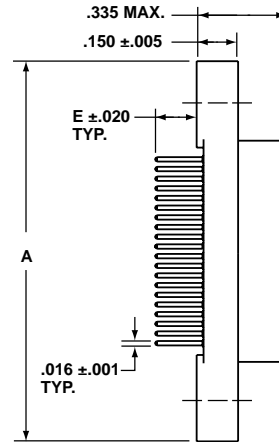
#### 5. Contact Termination Finish

<b>2</b>	Gold plated in accordance with MIL-G-45204, Type II, .000030 Min. thick Gold over .000050 Min. thick Nickel
<b>5</b>	Tin plated in accordance with ASTM B545, .00010 Min. thick Matte Tin over .00010 Min. thick Nickel
<b>6</b>	Tin-Lead plated in accordance with SAE-AMS-P-81728, .00010 Min. thick Tin-Lead over .00010 Min. thick Copper

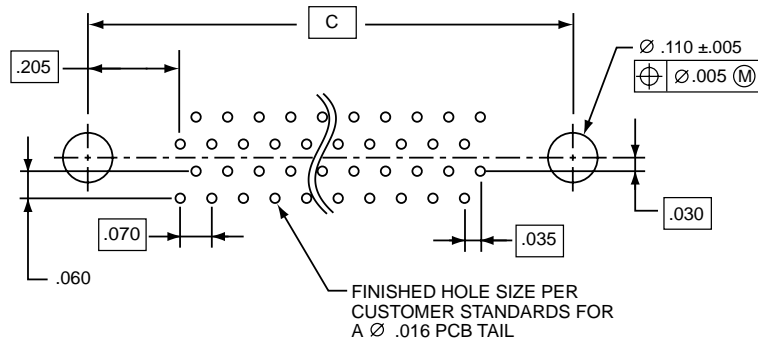
#### 6. Hardware

<b>X</b>	Less Hardware
----------	---------------

Hardware is purchased separately (see page 59 for hardware options).



#### Mother Board Layout



Introduction/  
Pkg. Solutions/  
Brush Contact

LRM (Line Replaceable Modules)

Options/  
Hybrids - Fiber Optics / Staggered/  
GEN-X  
Hi Speed/RF/Power

Ruggedized  
VME64x/  
VITA 60, 66

High Density  
HDB<sup>3</sup>  
HSB  
Hi Speed

Low Mating Force MIL-DTL-55302

Docking Conn./  
Hybrids - Signal/Power / Standard  
Coax/Fiber Optics  
Brush  
Accessories/Install.

Rack & Panel  
Brush  
Ruggedized

LMD/LMS  
Rectangular  
Interconnects

Other  
Rectangular  
Interconnects

## X-ON Electronics

Largest Supplier of Electrical and Electronic Components

*Click to view similar products for [Rectangular MIL Spec Connectors](#) category:*

*Click to view products by [Amphenol](#) manufacturer:*

Other Similar products are found below :

[891-011-15SA2-BSST](#) [CTS-S16/16](#) [65002-062](#) [CY4602-000](#) [732-8020-01](#) [77058-22-55PN](#) [81542-20](#) [86.030.0053.0](#) [1241346-1](#) [RM252-020-311-2900](#) [DMC-M 08-16 SA](#) [1589051-4](#) [MSO34MPK1E1](#) [BACC65CAMA](#) [BACC65CP1PN](#) [BACI10BC0816PNBA](#) [HSB-D4S03DM222X](#) [2217548-1](#) [891-006-9PS-BST1T](#) [891-009-15SA2-BRT1T](#) [27963-20T12](#) [SIM2S100A](#) [1604996-2](#) [SMD25PN90L-4055](#) [1900ND08S1B00A](#) [22628-10-6P-791](#) [33526M11-08PD](#) [RE04-212S](#) [M32139/03-G05SN](#) [CTD160E01F-6148](#) [CTJ112E03B](#) [CTJ122E02D-8000](#) [CTJ-3D-12](#) [CTJ920E06N-513](#) [CTJ920E12N-513](#) [CTL-16-090](#) [RM300-000-581-0000](#) [CY4600-000](#) [CY4601-000](#) [38111-14-15SN](#) [38112-14-15PN](#) [MMA23-0111R1](#) [MMD25-0071P1](#) [33516062020](#) [33526M11-08PE](#) [DMC-M99-01AN](#) [Y59113WE20PNV00300](#) [ZPF000000000106310](#) [105979-31](#) [EN4165M01AD0G0](#)