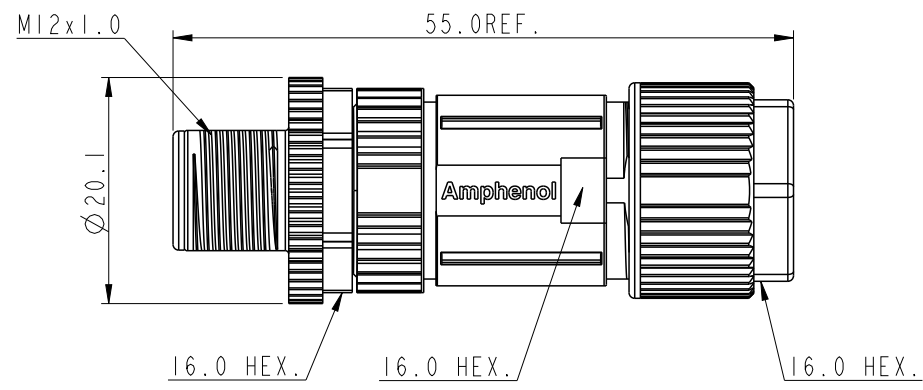
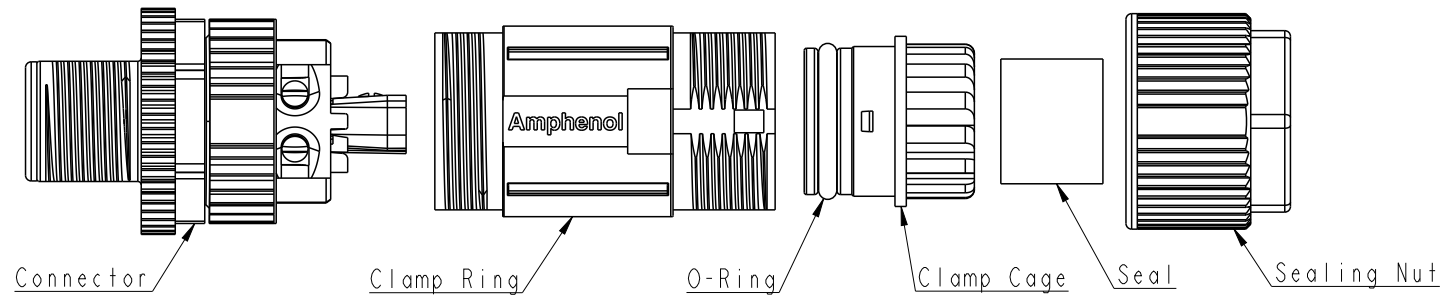


THIS DOCUMENT IS SUBJECT TO CHANGE WITHOUT NOTICE. IT IS CONFIDENTIAL AND A PROPERTY OF Amphenol LTW. DISCLOSURE TO THIRD PARTY HAS TO BE AUTHORIZED BY Amphenol LTW.

REV.	ECN NO.	DATE	SIGN	DESCRIPTION
A		2023-10-11	Sam Ho	Rev.02 to A, Initial Released
B	C231401	2023-11-17	Sam Ho	\triangle B XI

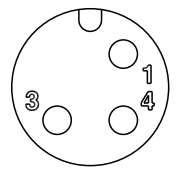
\triangle B HDMI2A-XXBMMB-SL7001

XX: No. Of Pin

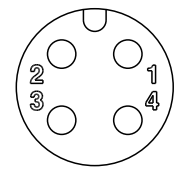


Note:

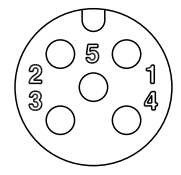
- * RoHS Compliant
- * \odot Important Dimension
- * Waterproof rate: IP67, mated
- * Connector Housing: Thermoplastic, Black
Pin: Copper alloy, Gold plated
Extension Nut: Metal
Nut: Metal
- * O-Ring: Rubber, Gray
- * Clamp Ring: Metal
- * O-Ring: Rubber, Black
- * Clamp Cage: Thermoplastic, Black
- * Sealing Nut: Metal
- * Seal: Rubber, Gray, OD: \varnothing 4.0mm~ \varnothing 7.5mm
- * One set unassembled in one pe bag



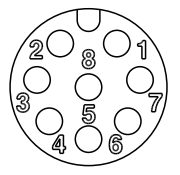
3P



4P



5P



8P

Pin Assignments Front View

UNIT: mm	\varnothing	∇	TITLE N SEN, HDMI2 A-240H, HT, SCREW CABLE W/O SR, M, M, FI SCREW IN
TOLERANCE .X \pm 0.25 .XX \pm 0.1 .XXX \pm 0.05 ANGLES \pm 1°	SCALE 3:2	SIZE A4	SHEET 1 OF 1
REV. B	WC-REV.	\odot : Inspection item	

Amphenol LTW
安費諾亮泰企業股份有限公司

ITEM NO.	DRAWN BY Sam Ho	DATE 2023-11-17
DWG NO. HDMI2A-XXBMMB-SL7001	CHECKED BY Neo Tsai	DATE 2023-11-17
CUSTOMER ALTW	APPROVED BY Fred Lee	DATE 2023-11-17

X-ON Electronics

Largest Supplier of Electrical and Electronic Components

Click to view similar products for [Circular DIN Connectors](#) category:

Click to view products by [Amphenol](#) manufacturer:

Other Similar products are found below :

[D38999/20MJ37PB](#) [75-190222-09G](#) [FRCIR030FP-36-10P-F80](#) [FRCIR08F-18-19S-F80](#) [FRCIR08R-36-7S-F80](#) [8R3006A18M0033](#) [PT05A-14-18SW\(023\)](#) [PT05A-14-5SX](#) [GTC01A-22-28P](#) [PT05A1832SW](#) [PT05A2041SX](#) [PT05SE1832SWLC](#) [PT05SE1832SYLC](#)
[GTC030-20-27PW-LC](#) [ACC06AF-20-23P\(003\)](#) [1210500311](#) [1210503216](#) [ACS00F-16-10S\(003\)](#) [ACS06AF-16-10P\(003\)](#) [D38999/42FE35AN](#)
[D38999/46WE6SN](#) [MS3100F22-23S](#) [MS3100R36-5S](#) [MS3101E28-21S](#) [MS3101E2821SX](#) [MS3102E184PW](#) [MS310314S-5P](#) [MS310314S-6P](#) [MS310314S-7P](#) [MS310322-8S](#) [MS3114F10-6P](#) [MS3116E8-4SW](#) [MS3122E10-6PW](#) [MS3456W28-21PZ-LC](#) [C18213N21](#) [CA3100E14S-9PB](#) [CA3100E14SA7P](#) [CA3100E16-10S](#) [CA3100E16S-8PBF80](#) [CA3100E18-1SBF80A176](#) [CA3100E20-7SB-F80-A176](#) [CA3100E22-14SB](#)
[CA3100E22-14SBF80](#) [CA3100E22-19PBF80](#) [CA3100E22-22SB](#) [CA3100E22-22SBF80](#) [CA3100E22-2SBF80](#) [CA3100E22-7PB](#)
[CA3100E28-21PWB02](#) [CA3100E32-15PB](#)