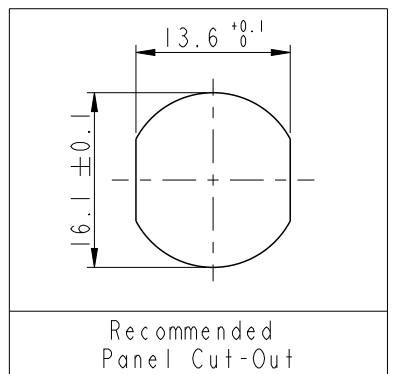
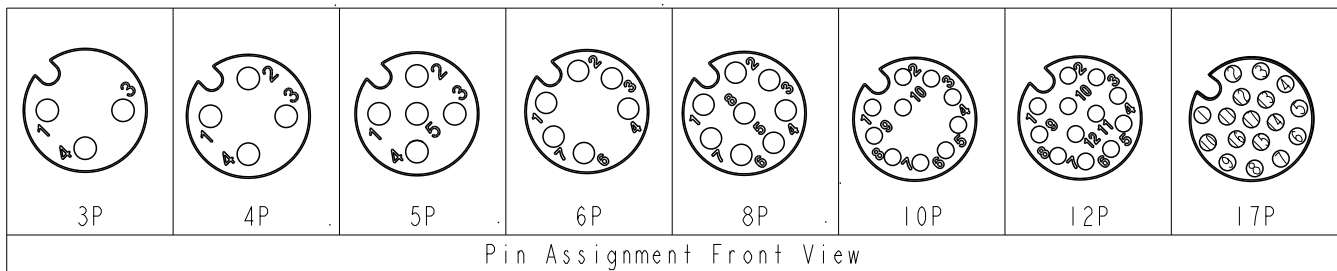
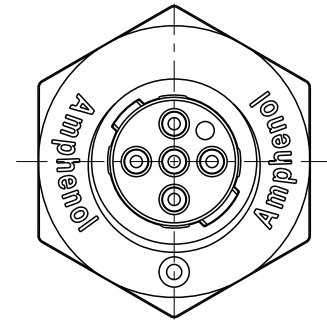
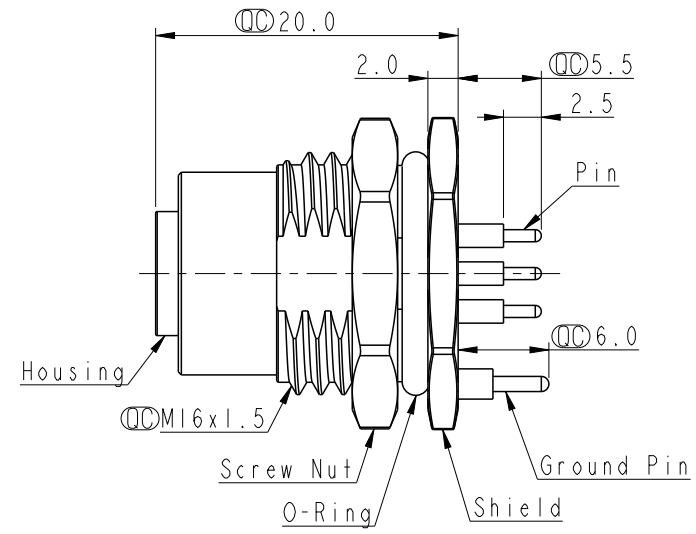
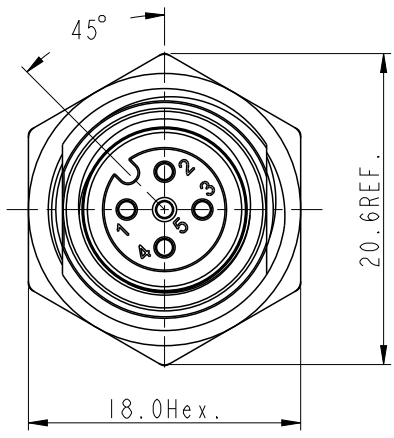


THIS DOCUMENT IS SUBJECT TO CHANGE WITHOUT NOTICE. IT IS CONFIDENTIAL AND A PROPERTY OF Amphenol LTW. DISCLOSURE TO THIRD PARTY HAS TO BE AUTHORIZED BY Amphenol LTW.

REV.	ECN NO.	DATE	SIGN	DESCRIPTION
A		2023-10-11	Sam Ho	Rev.01 to A, Initial Released
B	C231401	2023-11-17	Sam Ho	XI



HDM12A-XXPFFP-SF8002
 XX: No. Of Pin



- Note:
- * RoHS Compliant
 - * Important dimension
 - * Waterproof rate: IP68, unmated 1m/24h
IP69K, mated
 - * Connector
 - Housing: Thermoplastic, Black
 - Pin: Copper alloy, Gold plated
 - O-Ring: Rubber, Green
 - * Shield: Metal
 - * Screw Nut: Metal
 - * Ground Pin: Metal
 - * O-Ring: Rubber, Black
 - * For panel thickness max: 4.5mm
 - * Nut is packed separately in pe bag

UNIT: mm

TOLERANCE	
.X	±0.25
.XX	±0.1
.XXX	±0.05
ANGLES	±1°

TITLE N SEN, HDM12 A-240H, HT, SCREW RECEPTACLE, F, F, PCB S			
SCALE	SIZE	SHEET	OF
2:1	A4	1	2
REV.	WC-REV.	Inspection item	
B			

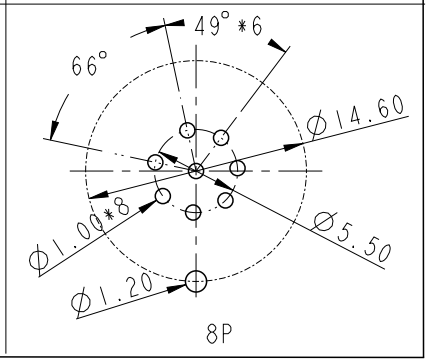
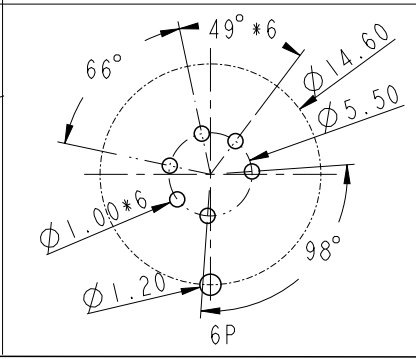
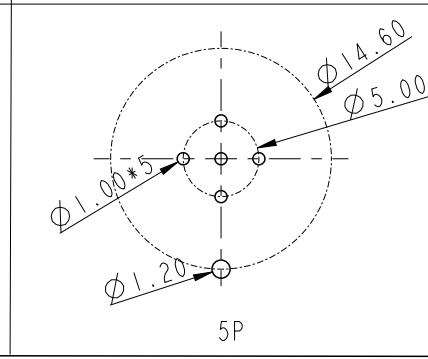
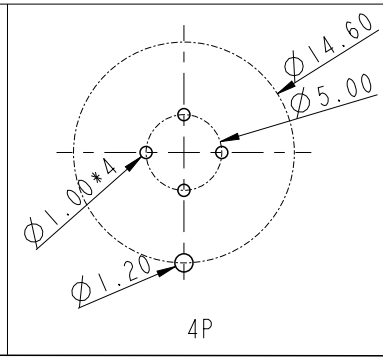
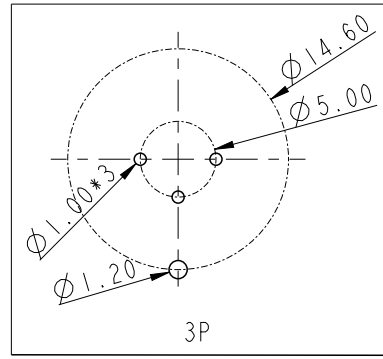
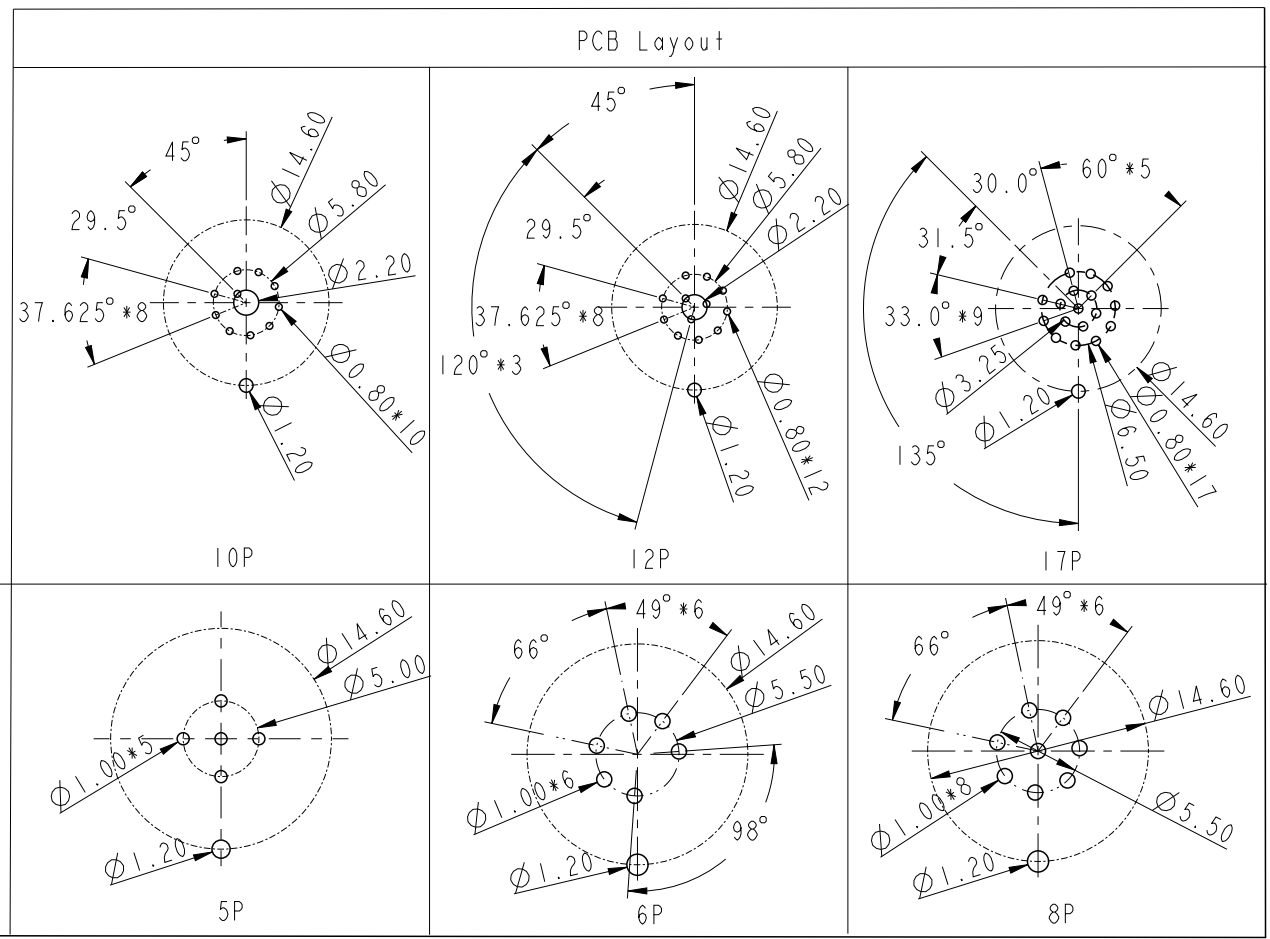
Amphenol LTW
 安費諾亮泰企業股份有限公司

ITEM NO	DRAWN BY	DATE
	Sam Ho	2023-11-17
DWG NO	CHECKED BY	DATE
HDM12A-XXPFFP-SF8002	Neo Tsai	2023-11-17
CUSTOMER	APPROVED BY	DATE
ALTW	Fred Lee	2023-11-17

THIS DOCUMENT IS SUBJECT TO CHANGE WITHOUT NOTICE. IT IS CONFIDENTIAL AND A PROPERTY OF Amphenol LTW. DISCLOSURE TO THIRD PARTY HAS TO BE AUTHORIZED BY Amphenol LTW.

2 3 4 5 6 7 8

F
E
D
C
B
A



UNIT: mm		
TOLERANCE		
.X	±0.25	
.XX	±0.1	
.XXX	±0.05	
ANGLES	±1°	

TITLE N SEN, HDMI2 A-240H, HT, SCREW RECEPTACLE, F, F, PCB S		
SCALE 2:1	SIZE A4	SHEET 2 OF 2
REV. B	WC-REV.	

Amphenol LTW
安費諾亮泰企業股份有限公司

ITEM NO	DWG NO HDMI2A-XXPFFP-SF8002
CUSTOMER ALTW	

DRAWN BY Sam Ho	CHECKED BY Neo Tsai
APPROVED BY Fred Lee	

DATE 2023-11-17	DATE 2023-11-17
DATE 2023-11-17	

2 3 4 5 6 7 8 W10814-03-001A2

X-ON Electronics

Largest Supplier of Electrical and Electronic Components

Click to view similar products for [Circular DIN Connectors](#) category:

Click to view products by [Amphenol](#) manufacturer:

Other Similar products are found below :

[D38999/20MJ37PB](#) [75-190222-09G](#) [FRCIR030FP-36-10P-F80](#) [FRCIR08F-18-19S-F80](#) [FRCIR08R-36-7S-F80](#) [8R3006A18M0033](#) [PT05A-14-18SW\(023\)](#) [PT05A-14-5SX](#) [GTC01A-22-28P](#) [PT05A1832SW](#) [PT05A2041SX](#) [PT05SE1832SWLC](#) [PT05SE1832SYLC](#)
[GTC030-20-27PW-LC](#) [ACC06AF-20-23P\(003\)](#) [1210500311](#) [1210503216](#) [ACS00F-16-10S\(003\)](#) [ACS06AF-16-10P\(003\)](#) [D38999/42FE35AN](#)
[D38999/46WE6SN](#) [MS3100F22-23S](#) [MS3100R36-5S](#) [MS3101E28-21S](#) [MS3101E2821SX](#) [MS3102E184PW](#) [MS310314S-5P](#) [MS310314S-6P](#) [MS310314S-7P](#) [MS310322-8S](#) [MS3114F10-6P](#) [MS3116E8-4SW](#) [MS3122E10-6PW](#) [MS3456W28-21PZ-LC](#) [C18213N21](#) [CA3100E14S-9PB](#) [CA3100E14SA7P](#) [CA3100E16-10S](#) [CA3100E16S-8PBF80](#) [CA3100E18-1SBF80A176](#) [CA3100E20-7SB-F80-A176](#) [CA3100E22-14SB](#)
[CA3100E22-14SBF80](#) [CA3100E22-19PBF80](#) [CA3100E22-22SB](#) [CA3100E22-22SBF80](#) [CA3100E22-2SBF80](#) [CA3100E22-7PB](#)
[CA3100E28-21PWB02](#) [CA3100E32-15PB](#)