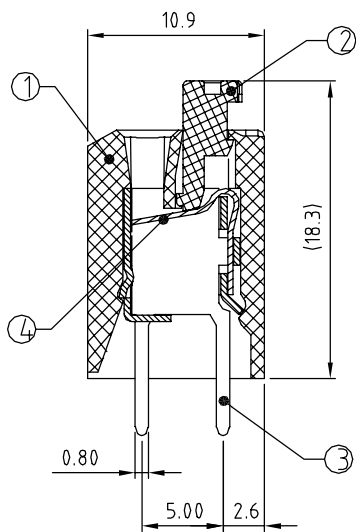
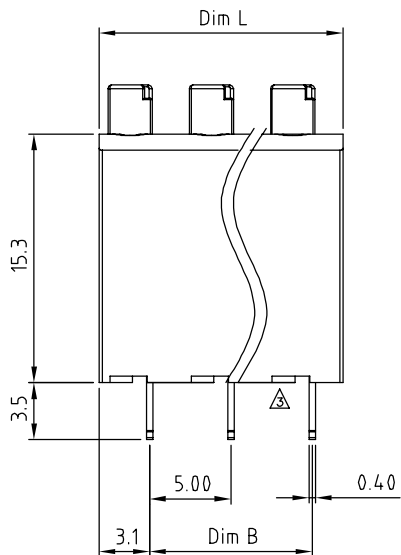
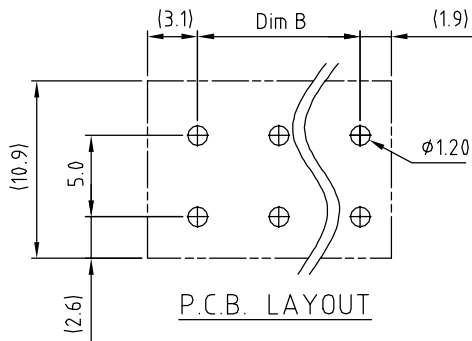
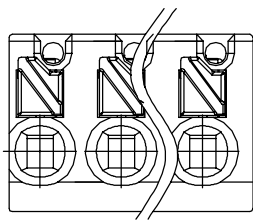


SIGN	DATE	DESCRIPTION	APPROVER
△	01/27/07	The Soldering temperature from 245° to 250°	Aaron
△	01/27/07	Add "VDE" stipulation	Aaron
△	8/6/07	The body bottom is changed.	Marvin

*THIS IS CAD DRAWING, DO NOT REVISE MANUALLY!!!*



**Material**

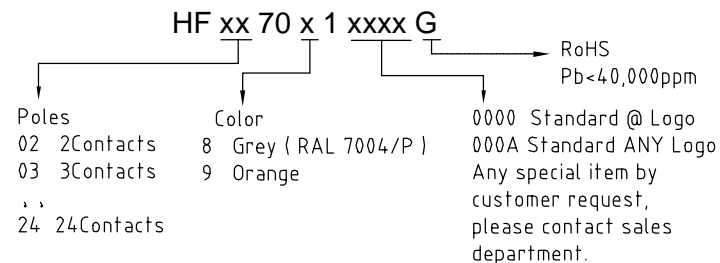
- Item 1 Insulating body            Thermoplastic ( UL94V-0 )
- Item 2 Insulating lever        Thermoplastic ( UL94V-0 )
- Item 3 Contact pin             Brass, Tin plated
- Item 4 Spring clamp          Stainless steel

△ Electrical            cULus/VDE

- Voltage rating: 300VAC/450VAC
- Current rating: 10A/10A
- Wire range: 0.5-1.0mm<sup>2</sup>
- Solid wire(AWG): 16-20
- Stranded wire(AWG): 16-20
- Wire strip length: 8-9mm
- Withstanding Voltage: 1.6KV/2.5KV
- Operating temperature: -40°C to +115°C
- Soldering temperature: 250°C±10°C/5 Sec
- Safety Approval:



PART NO.



Poles	02	03	04	05	06	07	08	09	10	11	12	13
Dim L	10.00	15.00	20.00	25.00	30.00	35.00	40.00	45.00	50.00	55.00	60.00	65.00
Dim B	5.00	10.00	15.00	20.00	25.00	30.00	35.00	40.00	45.00	50.00	55.00	60.00
TOL	±0.15						±0.20				±0.25	
Poles	14	15	16	17	18	19	20	21	22	23	24	
Dim L	70.00	75.00	80.00	85.00	90.00	95.00	100.0	105.0	110.0	115.0	120.0	
Dim B	65.00	70.00	75.00	80.00	85.00	90.00	95.00	100.0	105.0	110.0	115.0	
TOL	±0.25						±0.30					

<b>ANYTEK</b>				<b>CUSTOMER COPY</b>			
ALL RIGHTS RESERVED. REPRODUCTION OR ISSUE TO THIRD PARTIES IN ANY FORM WHATSOEVER IS NOT PERMITTED WITHOUT WRITTEN AUTHORITY FROM THE PROPRIETOR. PROPERTY OF ANYTEK TECHNOLOGY CO., LTD							
TITLE		HF-5.0mm Series High profile type					
PART NO.		HFxx70x1xxxxG			DWG NO.		8HF0002
APPROVED		CHECKED	DESIGNED	DRAWN	CUST NO.		Tolerance
		Marvin 2007.08.06	Marvin 2007.08.06	Marvin 2007.08.06			X.    ±0.50 X.X   ±0.30 X.XX ±0.10 X°    ±1°
						UNIT: mm SCALE: NONE SHEET: 01/01    REV.: F	

## X-ON Electronics

Largest Supplier of Electrical and Electronic Components

*Click to view similar products for [Pluggable Terminal Blocks](#) category:*

*Click to view products by [Amphenol](#) manufacturer:*

Other Similar products are found below :

[57.510.0053](#) [MC 1.5/ 6-ST-3.5 GY AU](#) [734-104](#) [734-302](#) [8-141-P](#) [8426620000](#) [860505](#) [860810](#) [GBPACX-12](#) [93.731.4953.0](#) [PV05-5,08-K](#)  
[PVP04-3,50](#) [PVS02-5,00](#) [1-1986160-3](#) [1377680000](#) [1531000000](#) [1546228-5](#) [ELFH16150](#) [ELFP03110](#) [ELFP10210](#) [ELFT06250](#)  
[ELVP03100](#) [1700410](#) [1700425](#) [1702246](#) [1717806](#) [1719600](#) [1734692](#) [1734795](#) [1740291](#) [1752441](#) [1752865](#) [1754144](#) [1760051](#) [1760336](#)  
[1777701](#) [1783410](#) [1800227](#) [1801080](#) [1836888](#) [1848818](#) [1849079](#) [1860870](#) [1876327](#) [1896417](#) [1903096](#) [19346](#) [1946309](#) [1970579](#) [1973592](#)