



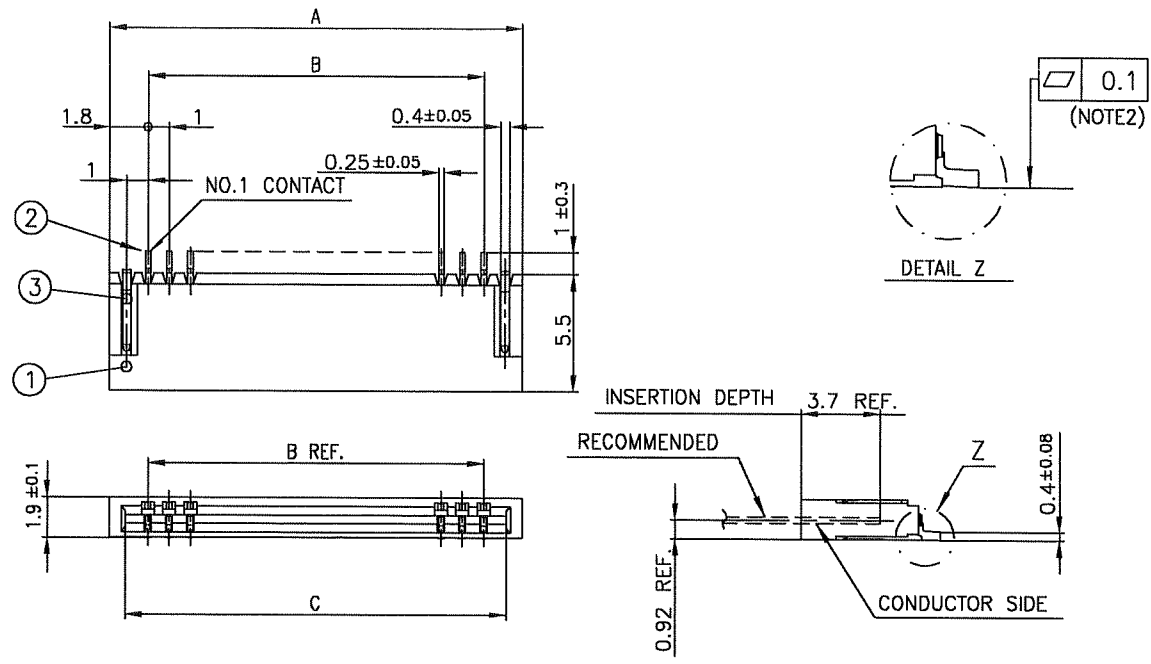
FCconnect.com

Copyright FCI.

List of "HFW__R-1/2STAE1LF" customer document

DOCUMENT NO.	LIST
SC-HFWR03	SPEC.
JSA96453	CAT.NO.TABLE FOR 1mm SPACING SMT CONNECTOR (HFW__R-1/2STA__LF)
JSA96454	1mm SPACING SURFACE MOUNT FPC CONNECCTOR (HFW__R-1STA__LF)
JSA96455	1mm SPACING SURFACE MOUNT FPC CONNECCTOR (HFW__R-2STA__LF)
JSA96456	CAT.NO.TABLE FOR PLASTIC TAPE PACKAGED 1mm SPACING SMT CONN.(HFW__R-1/2STAE1LF)
JSA96457	1mm SPACING SMT CONNECTOR (HFW__R-1STAE1LF)
JSA96458	1mm SPACING SMT CONNECTOR (HFW__R-2STAE1LF)
JSA96459	RECOMMENDED CABLE (FPC) (HFW__R-1/2STA)
BJM-HFWR101	HANDLING PROCEDURES

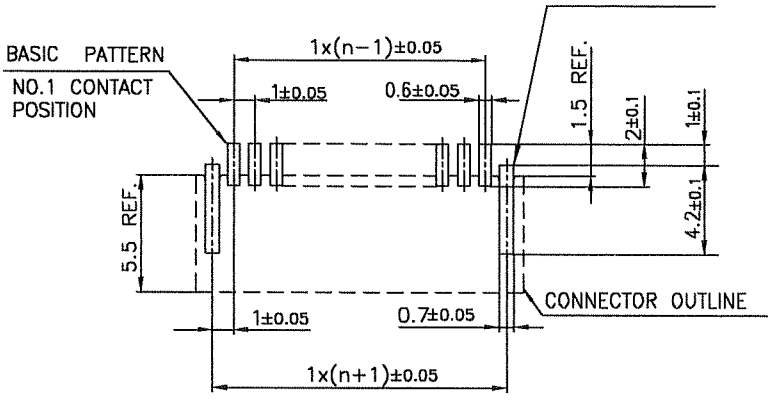
mat'l. code				surface ⁵⁸ / tolerance	projection	product family	58NF	CODE	JP		
				ISO 1302 ✓ / ISO 406 / ISO 1101		title					
ltr	ecn no	dr	date	tolerances unless otherwise specified		1mm SPACING FPC/FPC CONNECTOR DOCUMENT LIST					
A	J05-0322	H.T	6/3/05	angles	linear	mm	(Cat. No. : HFW__R-1/2STAE1LF)				
B	J06-0413	H.T	10/4/06			scale					
C	J07-0161	H.T	3/15/07			dwg no		sheet 1 of 1	size		
				dr	<i>[Signature]</i> 3/15/07	JSA 96452		A4			
				enr	<i>[Signature]</i> 3/15/07	type Product Customer Drawing					
				chr	<i>[Signature]</i> 3/19/07						
				appd	<i>[Signature]</i> 3/19/07						
sheet index	revision	C								Rev	
	sheet	1								C	



PT. NO.	PARTS NAME	MATERIAL	Q'TY	NOTE
1	HOUSING	PA6T RESIN GLASS REINFORCED (UL94V-0)	1	COLOR:BLACK
2	CONTACT	PHOSPHOR BRONZE	n	PLATING:GOLD
3	MOUNTING PLATE		2	PLATING:TIN

n : NO. OF CONTACTS

RECOMMENDED PC BOARD LAYOUT (COMPONENT SIDE)

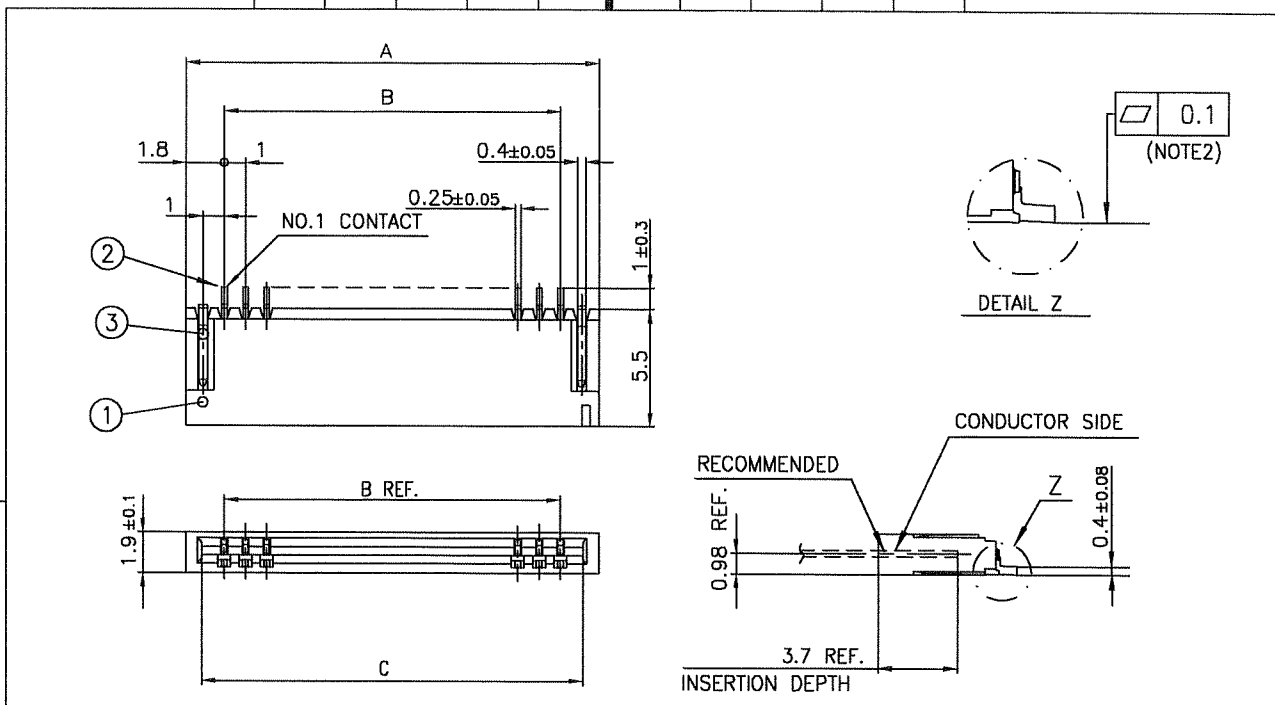


NOTES

1. THIS PRODUCT IS THE CONNECTOR DESIGNED TO TERMINATE FPC AND COPES WITH AUTOMATIC MOUNTING (SMT).
2. FLATNESS OF CONTACT TERMINAL FOR HOUSING MUST BE WITHIN TOLERANCE IN Z PORTION DETAILED DRAWING.
3. THIS PRODUCT IS LOWER CONTACT TYPE CONNECTOR.
4. THIS PRODUCT MEETS EUROPEAN UNION DIRECTIVES AND OTHER COUNTRY REGULATIONS AS DESCRIBED IN GS-22-008
5. THE HOUSING WILL WITHSTAND EXPOSURE TO 260°C PEAK TEMPERATURE FOR 10 SECONDS IN A REFLOW SOLDERING OVEN.

Copyright FCI. FCconnect.com

mat'l. code				surface 58 ISO 1302	tolerance ISO 406 ISO 1101	projection 	product family 58NF	CODE JP
ltr	ecn no	dr	date	tolerances unless otherwise specified		mm 	title	
A	J05-0322	H.T	6/3/'05	angles	linear		1mm SPACING SURFACE MOUNT FPC CONNECTOR (Cat.No. HFW__R-1STA__LF)	
B	J05-0732	H.T	10/28/'05				scale X	
C	J06-0413	H.T	10/4/'06				dwg no sheet 1 of 1 size	
				dr	<i>J. O...</i>		JSA 96454 A4	
				enr	<i>J. O...</i>		type Product Customer Drawing	
				chr	<i>J. O...</i>			
				appd	<i>J. O...</i>			
sheet index	revision sheet	C	1					Rev. C

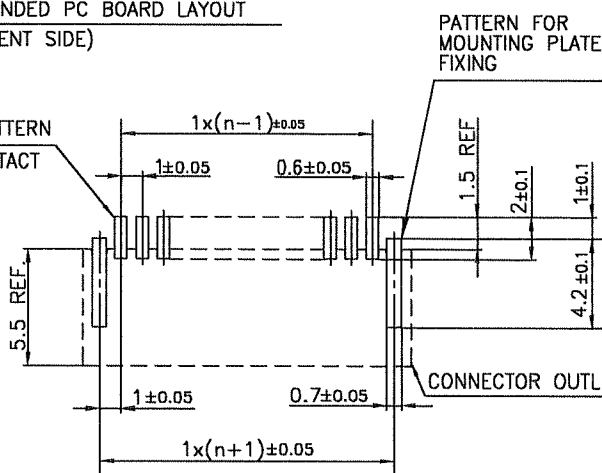


PT. NO.	PARTS NAME	MATERIAL	Q'TY	NOTE
1	HOUSING	PA6T RESIN GLASS REINFORCED (UL94V-0)	1	COLOR:BLACK
2	CONTACT	PHOSPHOR BRONZE	n	PLATING:GOLD
3	MOUNTING PLATE		2	PLATING:TIN

n : NO. OF CONTACTS

RECOMMENDED PC BOARD LAYOUT
(COMPONENT SIDE)

BASIC PATTERN
NO.1 CONTACT
POSITION



NOTES

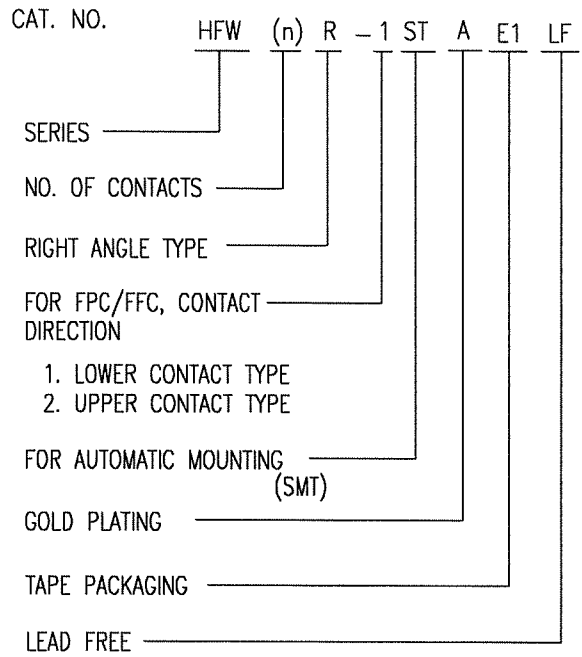
- THIS PRODUCT IS THE CONNECTOR DESIGNED TO TERMINATE FPC AND COPES WITH AUTOMATIC MOUNTING (SMT).
- FLATNESS OF CONTACT TERMINAL FOR HOUSING MUST BE WITHIN TOLERANCE IN Z PORTION DETAILED DRAWING.
- THIS PRODUCT IS UPPER CONTACT TYPE CONNECTOR.
- THIS PRODUCT MEETS EUROPEAN UNION DIRECTIVES AND OTHER COUNTRY REGULATIONS AS DESCRIBED IN GS-22-008
- THE HOUSING WILL WITHSTAND EXPOSURE TO 260°C PEAK TEMPERATURE FOR 10 SECONDS IN A REFLOW SOLDERING OVEN.

mat'l. code				surface 58 ISO 1302	tolerance ISO 406 ISO 1101	projection 	product family 58NF	CODE JP
ltr	ecn no	dr	date	tolerances unless otherwise specified		mm 	title	
A	J05-0322	H.T	6/3/'05	angles	linear		1mm SPACING SURFACE MOUNT FPC CONNECTOR (Cat.No. HFW__R-2STA__LF)	
B	J05-0732	H.T	10/28/'05				dwg no sheet 1 of 1 size JSA 96455 A4	
C	J06-0413	H.T	10/4/'06			scale \times	type Product Customer Drawing	
sheet index		revision sheet	C	dr	engr	chr	appd	Rev. C

SC-HFWR 03 JSA96453
form: A4

CAT. NO. & DIMENSIONS

(NOTE4)	NO. OF CONTACTS (n)	CAT. NO. (NOTE2)	DIMENSIONS (NOTE3)		
			E ± 5	F ± 0.3	G ± 0.1
	4	HFW4R-1/2STAE1LF	28.4	24	—
	5	HFW5R-1/2STAE1LF	28.4	24	—
	6	HFW6R-1/2STAE1LF	28.4	24	—
	7	HFW7R-1/2STAE1LF	28.4	24	—
	8	HFW8R-1/2STAE1LF	28.4	24	—
	9	HFW9R-1/2STAE1LF	28.4	24	—
	10	HFW10R-1/2STAE1LF	28.4	24	—
	11	HFW11R-1/2STAE1LF	28.4	24	—
	12	HFW12R-1/2STAE1LF	28.4	24	—
	13	HFW13R-1/2STAE1LF	28.4	24	—
	14	HFW14R-1/2STAE1LF	28.4	24	—
	15	HFW15R-1/2STAE1LF	36.4	32	28.4
	16	HFW16R-1/2STAE1LF	36.4	32	28.4
	17	HFW17R-1/2STAE1LF	36.4	32	28.4
	18	HFW18R-1/2STAE1LF	36.4	32	28.4
	19	HFW19R-1/2STAE1LF	48.4	44	40.4
	20	HFW20R-1/2STAE1LF	48.4	44	40.4
	21	HFW21R-1/2STAE1LF	48.4	44	40.4
	22	HFW22R-1/2STAE1LF	48.4	44	40.4
	23	HFW23R-1/2STAE1LF	48.4	44	40.4
	24	HFW24R-1/2STAE1LF	48.4	44	40.4
	25	HFW25R-1/2STAE1LF	48.4	44	40.4
	26	HFW26R-1/2STAE1LF	48.4	44	40.4
	27	HFW27R-1/2STAE1LF	48.4	44	40.4
*	28	HFW28R-1/2STAE1LF	48.4	44	40.4
*	29	HFW29R-1/2STAE1LF	48.4	44	40.4
	30	HFW30R-1/2STAE1LF	60.4	56	52.4

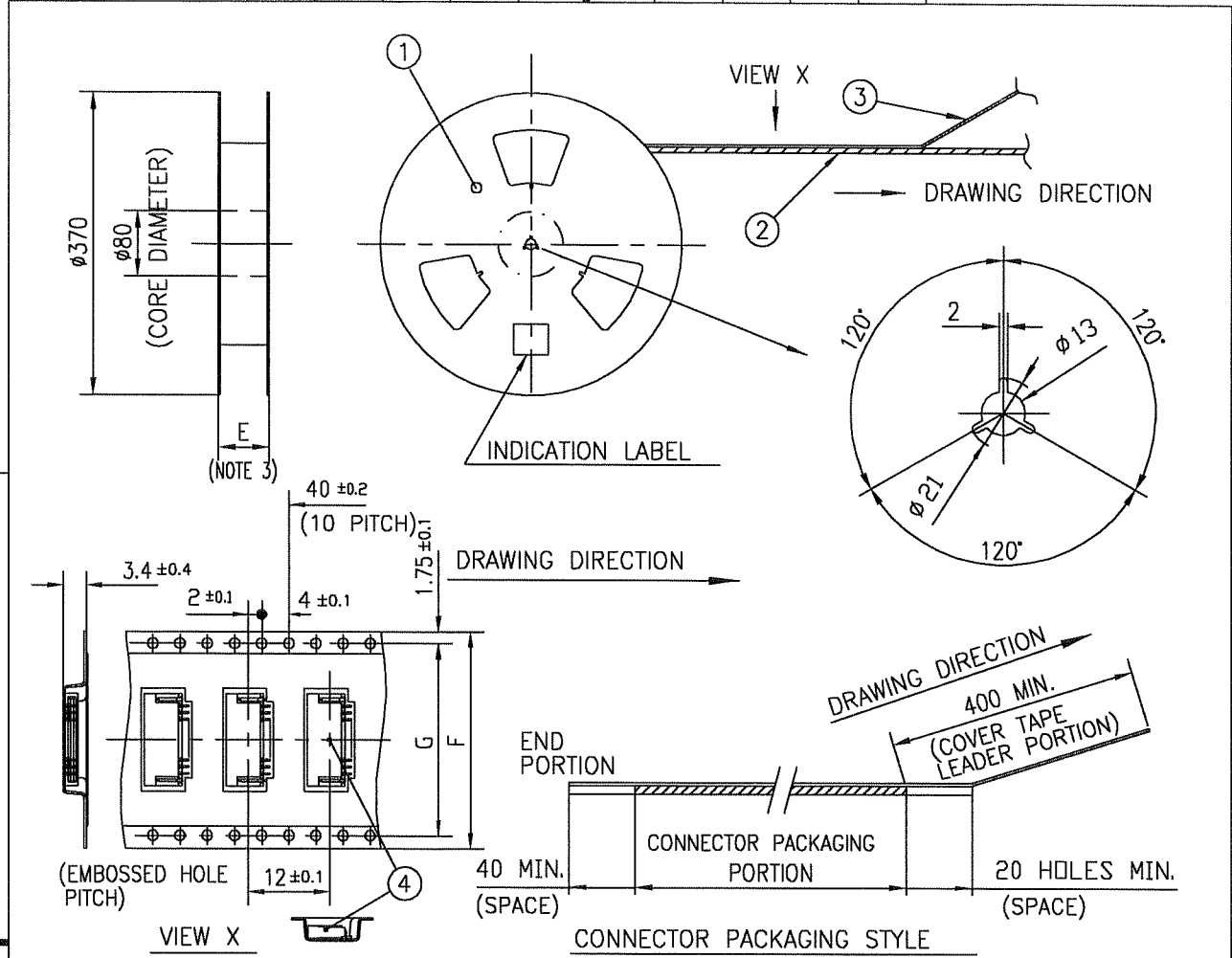


NOTES

1. THIS PRODUCT IS THE CONNECTOR DESIGNED TO TERMINATE FPC AND COPEES WITH AUTOMATIC MOUNTING (SMT).
2. THIS CATALOG NO. INDICATES PLASTIC TAPE PACKAGED CONNECTOR.
3. SEE PART DRAWINGS FOR DIMENSIONS E~G.
4. PLEASE CONSULT US IN CASE OF USING PARTS WITH * MARK.

mat'l. code				surface 5B / ISO 1302 ✓		tolerance ISO 406 ISO 1101		projection		product family 58NF		CODE JP	
ltr ecn no dr date				tolerances unless otherwise specified				mm		title			
A J05-D322 H.T 6/3/'05				angles linear				mm		CAT. NO. TABLE FOR PLASTIC TAPE PACKAGED 1mm SPACING SMT CONN (Cat.No. HFW__R-1/2STAE1LF)			
B J06-D413 H.T 10/4/'06								scale X		dwg no sheet 1 of 1 size			
				dr 12/12/06				FCJ		JSA 96456 A4			
				engr 10/10/06						type Product Customer Drawing			
				chr 3/2/07 10/12/06									
				appd S. Oadon 10/12/06									
sheet index		revision B		sheet 1								Rev. B	

SC-HFWR03 JSA96453 form: A4



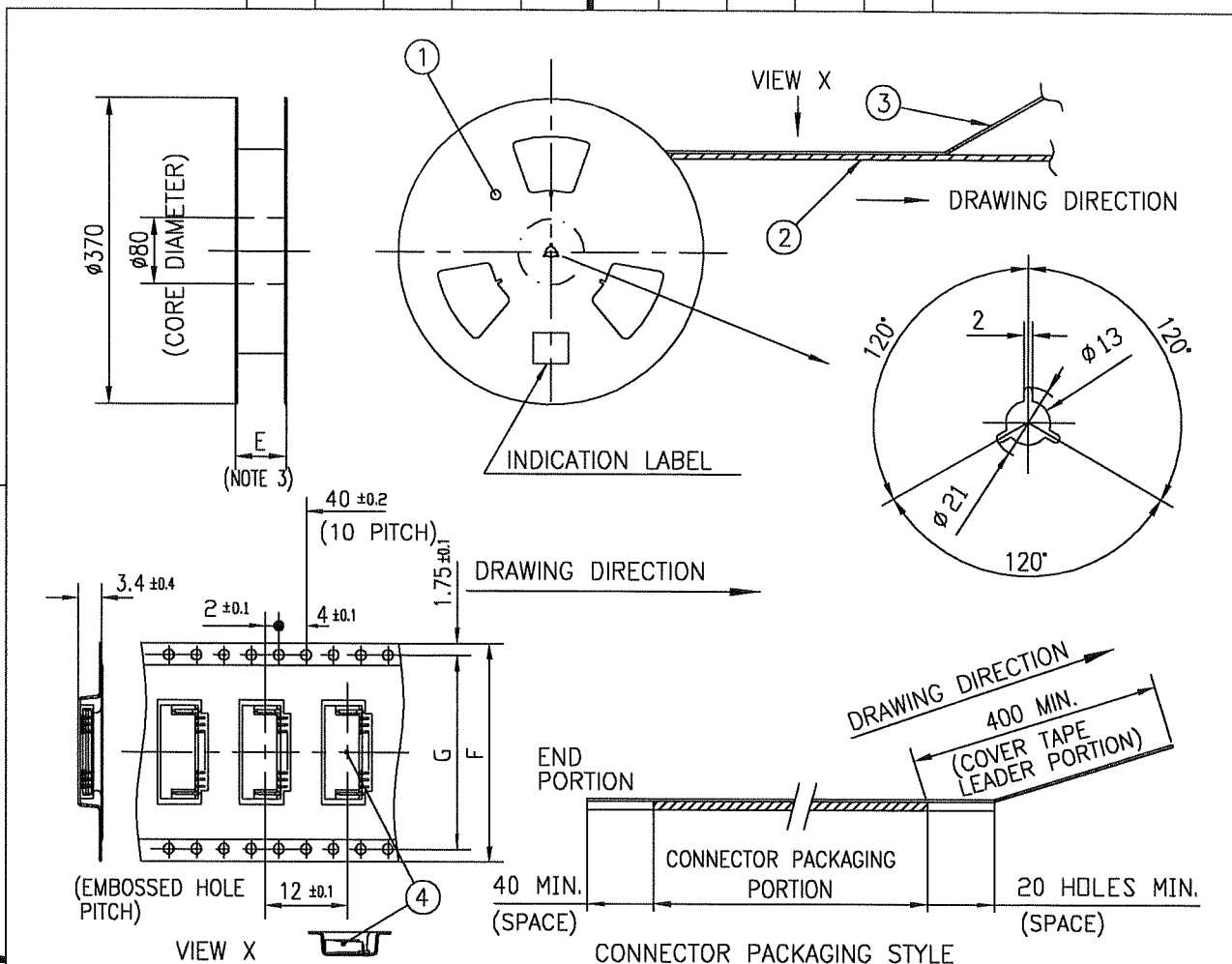
PT. NO.	PARTS NAME	CAT. NO.	MATERIAL	Q'TY	NOTE
1	REEL	—	CARDBOARD	1	COLOR:WHITE
2	PLASTIC (EMBOSSD) TAPE	—	PET	—	COLOR:TRANSPARENCY
3	COVER	—	POLYESTER	—	COLOR:TRANSPARENCY
4	CONNECTOR	HFW__R-1STA__LF	SEE ATTACHED DWG.	2000	LOWER CONTACT TYPE

- NOTES
- THIS IS PLASTIC TAPE PACKAGED CONNECTOR DESIGNED TO TERMINATE FPC AND COPES WITH AUTOMATIC MOUNTING (SMT).
 - SEE JIS C 0806 (PACKING OF ELECTRONIC COMPONENTS ON CONTINUOUS TAPES (SURFACE MOUNTING DEVICES)) FOR SHAPE AND DIMENSIONS OF PLASTIC (EMBOSSD) TAPE AND REEL.
 - E DIMENSION IS PORTION OF THE CORE.

mat'l. code		surface 58 / ISO 1302 ✓		tolerance ISO 406 / ISO 1101		projection		product family 58NF		CODE JP	
ltr	ecn no	dr	date	tolerances unless otherwise specified				title			
A	JD5-0322	H.T	6/3/'05	angles		linear		mm		1mm SPACING SMT CONNECTOR	
B	JD6-0413	H.T	10/4/'06	±5'				scale X		(Cat.No. HFW__R-1STAE1LF)	
		dr	10/4/06					dwg no		sheet 1 of 1 size	
		enrg	10/4/06					JSA 96457		A4	
		chr	12/12/06					type		Product Customer Drawing	
		appd	10/12/06								
sheet index		revision sheet		B 1						Rev. B	

SC-HFWR 03 JSA96453 form: A4

FCJ
 FCconnect.com
 Copyright FCJ.



PT. NO.	PARTS NAME	CAT. NO.	MATERIAL	Q'TY	NOTE
1	REEL	---	CARDBOARD	1	COLOR:WHITE
2	PLASTIC (EMBOSSED) TAPE	---	PET	---	COLOR:TRANSPARENCY
3	COVER	---	POLYESTER	---	COLOR:TRANSPARENCY
4	CONNECTOR	HFWR__R-2STA__-LF	SEE ATTACHED DWG.	2000	UPPER CONTACT TYPE

NOTES

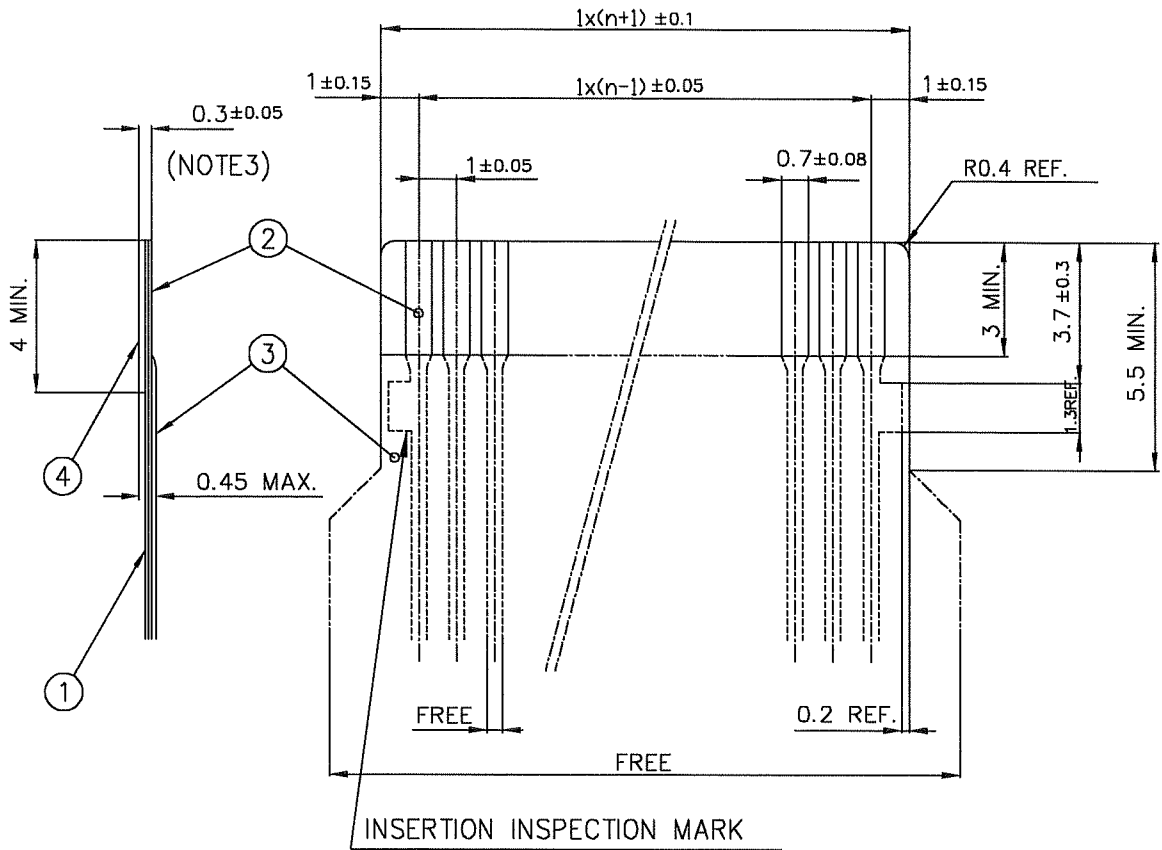
1. THIS IS PLASTIC TAPE PACKAGED CONNECTOR DESIGNED TO TERMINATE FPC AND COPES WITH AUTOMATIC MOUNTING (SMT).
2. SEE JIS C 0806 (PACKING OF ELECTRONIC COMPONENTS ON CONTINUOUS TAPES (SURFACE MOUNTING DEVICES)) FOR SHAPE AND DIMENSIONS OF PLASTIC (EMBOSSED) TAPE AND REEL.
3. E DIMENSION IS PORTION OF THE CORE.

mat'l. code		surface 58 ISO 1302 ✓		tolerance ISO 406 ISO 1101		projection mm		product family 58NF		CODE JP	
ltr		ecn no		dr		date		tolerances, unless otherwise specified		title	
A		J05-0322		H.T.		6/3/'05		±5		1mm SPACING SMT CONNECTOR (Cat.No. HFWR__R-2STAE1LF)	
B		J06-0413		H.T.		10/4/'06		angles linear		scale X	
								±5'		dwg no	
								dr		sheet 1 of 1	
								engr		JSA 96458	
								chr		A4	
								appd		type Product Customer Drawing	
sheet index		revision sheet		B		1				Rev. B	

SC-HFWR 03 JSA96453
form: A4

RECOMMENDED CABLE (FPC)

n : NO. OF CONDUCTORS



PT. NO.	DESCRIPTION	MATERIAL	THICKNESS (μm)
1	BASE FILM	POLYIMIDE OR POLYESTER OR EQUIVALENT	25
2	CONDUCTOR	COPPER FOIL(PLATING : GOLD)	35
3	OVERLAY	POLYIMIDE OR POLYESTER OR EQUIVALENT	—
4	SUPPORTING TAPE	POLYESTER OR POLYIMIDE OR EQUIVALENT	188

NOTES

1. NO BURR AT EACH PORTION.
2. NO PEELING IN COMMON USE.
3. TOTAL THICKNESS LIMIT OF EACH MATERIAL (INCLUDING ADHESIVE AGENT) IS SPECIFIED.

mat'l. code				surface 58 / tolerance ISO 1302 \checkmark ISO 406 ISO 1101		projection		product family 58NF		CODE JP			
ltr	ecn no	dr	date	tolerances, unless otherwise specified				title					
A	J05-0322	H.T	6/2/'05	angles linear				RECOMMENDED CABLE					
B	J06-0078	H.T	3/1/'06					HFW__R-1/2STA__					
C	J06-0413	H.T	10/4/'06					scale \times					
				dr <i>K. Hatakeyama</i> 10/4/06						dwg no		sheet 1 of 1	size
				enr <i>K. Hatakeyama</i> 10/4/06						JSA 96459		A4	
				chr <i>S. Ito</i> 10/12/06						type		Product Customer Drawing	
				appd <i>S. Ito</i> 10/12/06									
sheet index	revision sheet	c	1									Rev. c	

X-ON Electronics

Largest Supplier of Electrical and Electronic Components

Click to view similar products for [FFC & FPC Connectors](#) category:

Click to view products by [Amphenol](#) manufacturer:

Other Similar products are found below :

[K-FC20](#) [FH29B-80S-0.2SHW\(99\)](#) [FPH-2022G](#) [AYF332735](#) [52610-1075](#) [52610-1275](#) [52610-1934](#) [501864-3091-TR225](#) [086222026001800](#)
[52610-0675](#) [62684-36210E9ALF](#) [52746-1671-TR250](#) [10051922-2810EHLF](#) [6-520415-9](#) [SFV6R-1STE9HLF](#) [XF3M-2915-1B-R100](#)
[1658549-1](#) [46214008010800](#) [AYF534065TA](#) [AYF351525](#) [086212040340800+](#) [AYF530365TA](#) [67000-014LF](#) [67000-004LF](#)
[006207341915000+](#) [DS1020-19RT1D](#) [67000-003LF](#) [67000-011LF](#) [67000-016LF](#) [HFW14R-2STE9LF](#) [SFV32R-2STBE9HLF](#) [SFW12R-](#)
[5STE9LF](#) [SFW18R-1STAE9LF](#) [SFW4R-5STE9LF](#) [52807-0430](#) [046283021002868+](#) [THD1015-8CL-SN](#) [67000-006LF](#) [502250-8027](#)
[104267-9617](#) [66987-011LF](#) [AYF362535](#) [F0501-T-50-20T-R](#) [HFW8S-2STAE1HLF](#) [67000-008LF](#) [67000-012LF](#) [ECC576069EU](#) [F1002-B-](#)
[20-20T-R](#) [HFW15S-2STAE1HLF](#) [5019511030](#)