

List of "HFW__R-1/2STAE1HLF" customer document

DOCUMENT NO.	LIST
10096547(sheet1)	DOCUMENT LIST
10096547(sheet2)	CAT. NO. TABLE FOR 1mm SPACING SMT CONNECTOR (HFW__R-1/2STA_HLF)
10096547(sheet3)	1mm SPACING SURFACE MOUNT FPC CONNECTOR (HFW__R-1STA_HLF)
10096547(sheet4)	1mm SPACING SURFACE MOUNT FPC CONNECTOR (HFW__R-2STA_HLF)
10096547(sheet5)	CAT. NO. TABLE FOR PLASTIC TAPE PACKAGED 1mm SPACING SMT CONNECTOR (HFW__R-1/2STAE1HLF)
10096547(sheet6)	1mm SPACING SMT CONNECTOR (HFW__R-1STAE1HLF)
10096547(sheet7)	1mm SPACING SMT CONNECTOR (HFW__R-2STAE1HLF)
10096547(sheet8)	RECOMMENDED CABLE (FPC) (HFW__R-1/2STA)
GS-12-598	PRODUCT SPEC.
BJM-HFWR101	HANDLING PROCEDURES



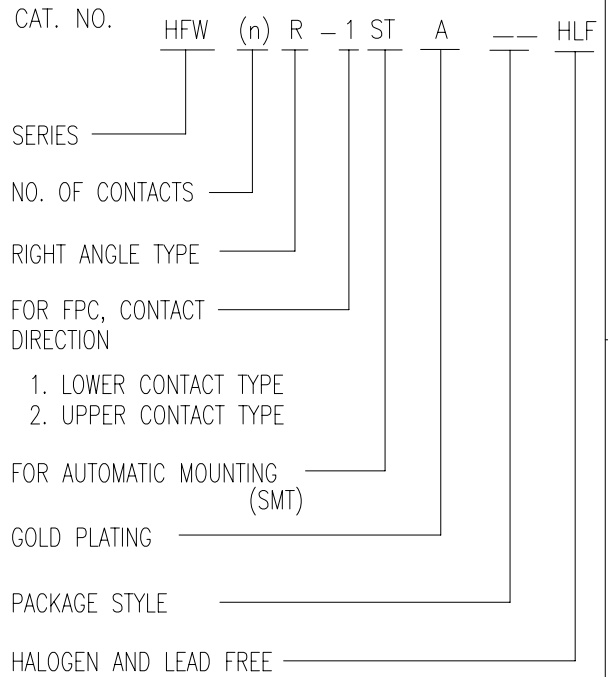
FCIconnect.com

Copyright FCI.

mat'l. code				surface 58 / tolerance ISO 1302 <input checked="" type="checkbox"/> ISO 406 <input checked="" type="checkbox"/> ISO 1101			projection		product family 58NF											
ltr	ecn no	dr	date	tolerances unless otherwise specified					mm	title										
A	S09-0023	DGOH	09-01-21	angles	linear	scale \times		1mm SPACING FPC CONNECTOR DOCUMENT LIST (Cat. No. : HFW__R-1/2STAE1HLF)												
				dr	H. TAKAKURA		06-10-23				dwg no sheet 1 of 8 size									
				engr	DENNIS GOH		09-01-21				10096547 A4									
				chr	DENNIS GOH		09-01-21				type Product Customer Drawing									
				appd	JOEY NG		09-01-21													
sheet index	revision sheet	A	A	A	A	A	A	A	A											Rev. A

CAT. NO. & DIMENSIONS

(NOTE3)	NO. OF CONTACTS (n)	CAT. NO.	DIMENSIONS (NOTE2)		
			A ± 0.2	B ± 0.2	C ± 0.1
	4	HFW4R-1/2STA__HLF	6.6	3	5.14
	5	HFW5R-1/2STA__HLF	7.6	4	6.14
	6	HFW6R-1/2STA__HLF	8.6	5	7.14
	7	HFW7R-1/2STA__HLF	9.6	6	8.14
	8	HFW8R-1/2STA__HLF	10.6	7	9.14
	9	HFW9R-1/2STA__HLF	11.6	8	10.14
	10	HFW10R-1/2STA__HLF	12.6	9	11.14
	11	HFW11R-1/2STA__HLF	13.6	10	12.14
	12	HFW12R-1/2STA__HLF	14.6	11	13.14
	13	HFW13R-1/2STA__HLF	15.6	12	14.14
	14	HFW14R-1/2STA__HLF	16.6	13	15.14
	15	HFW15R-1/2STA__HLF	17.6	14	16.14
	16	HFW16R-1/2STA__HLF	18.6	15	17.14
	17	HFW17R-1/2STA__HLF	19.6	16	18.14
	18	HFW18R-1/2STA__HLF	20.6	17	19.14
	19	HFW19R-1/2STA__HLF	21.6	18	20.14
	20	HFW20R-1/2STA__HLF	22.6	19	21.14
	21	HFW21R-1/2STA__HLF	23.6	20	22.14
	22	HFW22R-1/2STA__HLF	24.6	21	23.14
	23	HFW23R-1/2STA__HLF	25.6	22	24.14
	24	HFW24R-1/2STA__HLF	26.6	23	25.14
	25	HFW25R-1/2STA__HLF	27.6	24	26.14
	26	HFW26R-1/2STA__HLF	28.6	25	27.14
	27	HFW27R-1/2STA__HLF	29.6	26	28.14
*	28	HFW28R-1/2STA__HLF	30.6	27	29.14
*	29	HFW29R-1/2STA__HLF	31.6	28	30.14
	30	HFW30R-1/2STA__HLF	32.6	29	31.14



NOTES

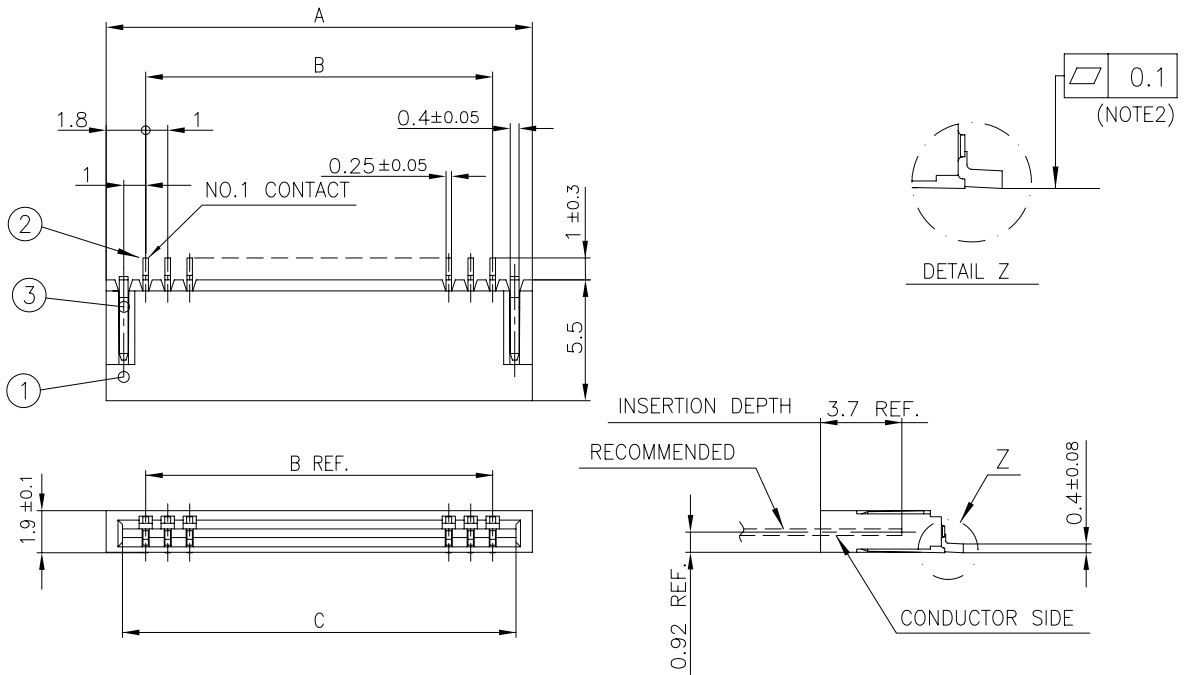
1. THIS PRODUCT IS THE CONNECTOR DESIGNED TO TERMINATE FPC AND COPE WITH AUTOMATIC MOUNTING (SMT).
2. SEE PART DRAWINGS FOR DIMENSIONS A~C.
3. PLEASE CONSULT US IN CASE OF USING PARTS WITH * MARK.

mat'l. code				surface 58 / ISO 1302		tolerance ISO 406 / ISO 1101		projection		product family 58NF		CODE JP	
ltr		ecn no		dr		date		tolerances unless otherwise specified		title CAT NO.TABLE FOR 1mm SPACING SMT CONNECTOR (Cat.No. HFW__R-1/2STA__HLF)		dwg no sheet 2 of 8 size 10096547 A4	
A								angles linear					
								mm				type Product Customer Drawing	
				dr		H. TAKAKURA 06-10-23		scale X					
				engr		DENNIS GOH 09-01-21							
				chr		DENNIS GOH 09-01-21							
						appd		JOEY NG 09-01-21					
sheet index		revision sheet										Rev. A	



FCIconnect.com

Copyright FCI.

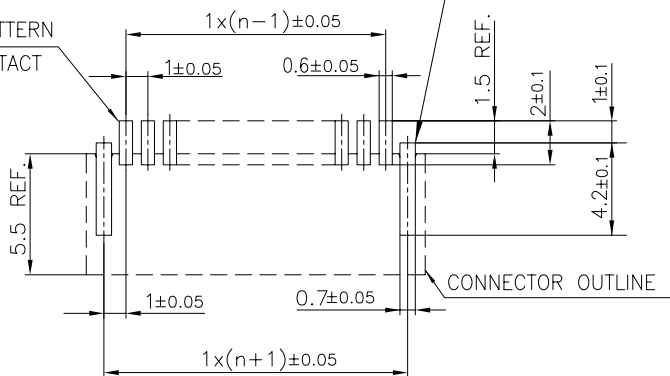


PT. NO.	PARTS NAME	MATERIAL	Q'TY	NOTE
1	HOUSING	PA6T RESIN GLASS REINFORCED (UL94V-0)	1	COLOR:BLACK (HALOGEN FREE)
2	CONTACT	PHOSPHOR BRONZE	n	PLATING:GOLD
3	MOUNTING PLATE		2	PLATING:TIN (LEAD FREE)

n : NO. OF CONTACTS

RECOMMENDED PC BOARD LAYOUT (COMPONENT SIDE)

BASIC PATTERN NO.1 CONTACT POSITION



NOTES

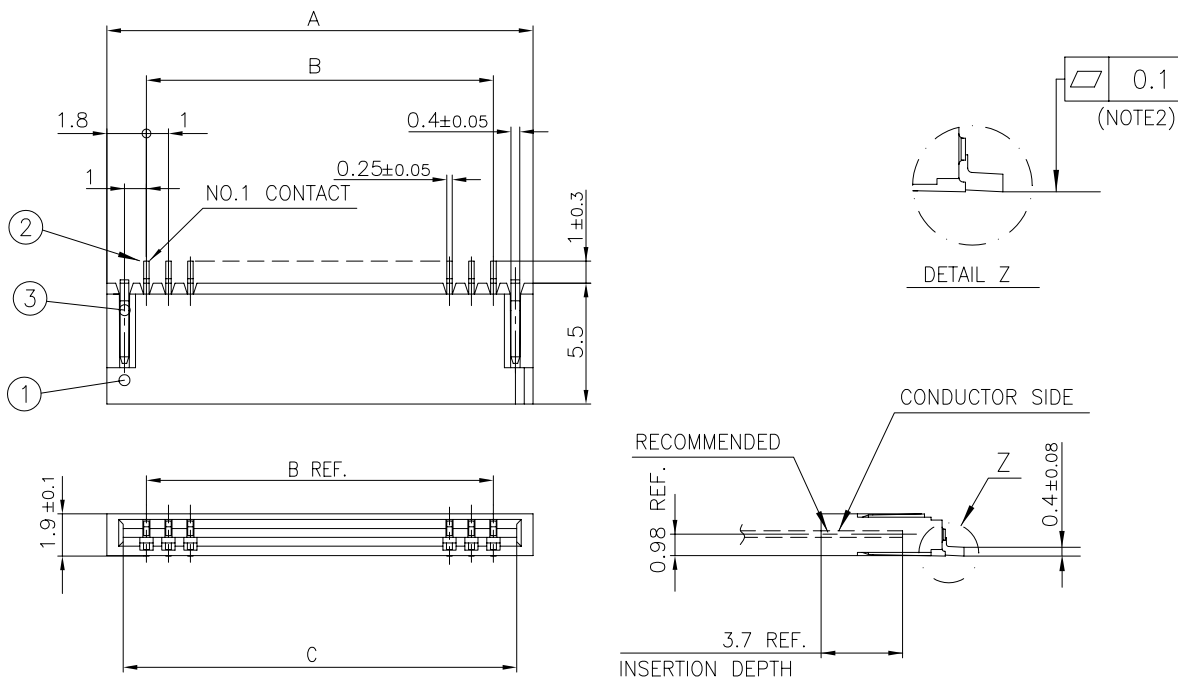
1. THIS PRODUCT IS THE CONNECTOR DESIGNED TO TERMINATE FPC AND COPES WITH AUTOMATIC MOUNTING (SMT).
2. FLATNESS OF CONTACT TERMINAL FOR HOUSING MUST BE WITHIN TOLERANCE IN Z PORTION DETAILED DRAWING.
3. THIS PRODUCT IS LOWER CONTACT TYPE CONNECTOR.
4. THIS PRODUCT MEETS EUROPEAN UNION DIRECTIVES AND OTHER COUNTRY REGULATIONS AS DESCRIBED IN GS-22-008
5. THE HOUSING WILL WITHSTAND EXPOSURE TO 260°C PEAK TEMPERATURE FOR 10 SECONDS IN A REFLOW SOLDERING OVEN.

mat'l. code				surface 58 ISO 1302		tolerance ISO 406 ISO 1101		projection		product family 58NF			
ltr	ecn no	dr	date	tolerances unless otherwise specified				mm		title			
A				angles	linear		±0.2		scale		1mm SPACING SURFACE MOUNT FPC CONNECTOR (Cat.No. HFV__R-1STA__HLF)		
				dr	H. TAKAKURA	06-10-23	FCJ		dwg no		sheet 3 of 8	size	
				enr	DENNIS GOH	09-01-21			10096547		A4		
				chr	DENNIS GOH	09-01-21			type		Product Customer Drawing		
				appd	JOEY NG	09-01-21							
sheet index		revision sheet										Rev. A	



FCIconnect.com

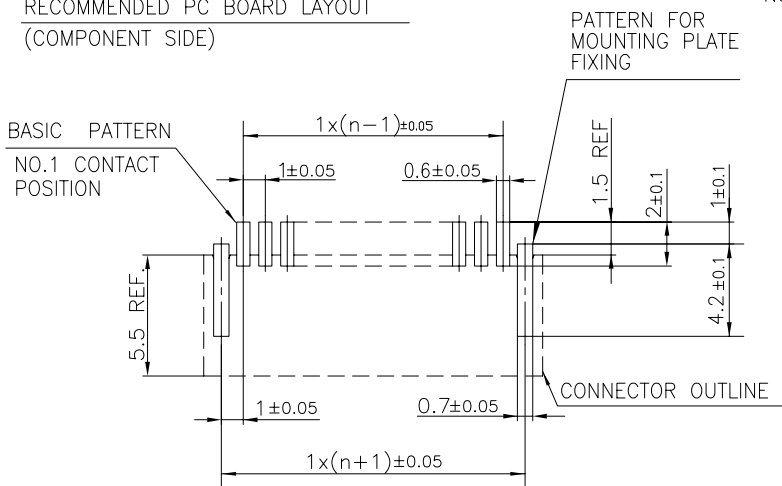
Copyright FCI.



PT. NO.	PARTS NAME	MATERIAL	Q'TY	NOTE
1	HOUSING	PA6T RESIN GLASS REINFORCED (UL94V-0)	1	COLOR:BLACK (HALOGEN FREE)
2	CONTACT	PHOSPHOR BRONZE	n	PLATING:GOLD
3	MOUNTING PLATE		2	PLATING:TIN (LEAD FREE)

n : NO. OF CONTACTS

RECOMMENDED PC BOARD LAYOUT (COMPONENT SIDE)



NOTES

1. THIS PRODUCT IS THE CONNECTOR DESIGNED TO TERMINATE FPC AND COPE WITH AUTOMATIC MOUNTING (SMT).
2. FLATNESS OF CONTACT TERMINAL FOR HOUSING MUST BE WITHIN TOLERANCE IN Z PORTION DETAILED DRAWING.
3. THIS PRODUCT IS UPPER CONTACT TYPE CONNECTOR.
4. THIS PRODUCT MEETS EUROPEAN UNION DIRECTIVES AND OTHER COUNTRY REGULATIONS AS DESCRIBED IN GS-22-008
5. THE HOUSING WILL WITHSTAND EXPOSURE TO 260°C PEAK TEMPERATURE FOR 10 SECONDS IN A REFLOW SOLDERING OVEN.



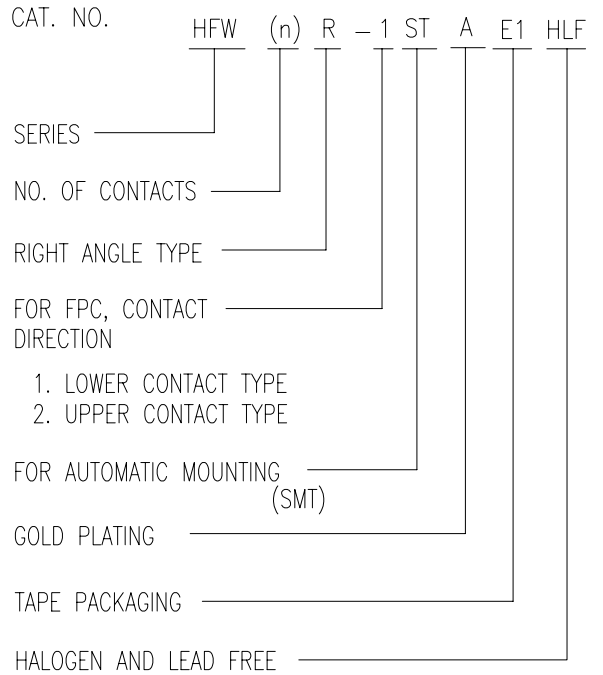
FCIconnect.com

Copyright FCI.

mat'l. code				surface 58 ISO 1302		tolerance ISO 406 ISO 1101		projection		product family 58NF		CODE JP	
ltr ecn no dr date				tolerances unless otherwise specified		angles linear ±0.2		mm		title 1mm SPACING SURFACE MOUNT FPC CONNECTOR (Cat.No. HFW__R-2STA__HLF)			
A								scale X		dwg no sheet 4 of 8 size		A4	
				dr H. TAKAKURA 06-10-23		enr DENNIS GOH 09-01-21		FCI		10096547			
				chr DENNIS GOH 09-01-21		appd JOEY NG 09-01-21				type Product Customer Drawing			
sheet index		revision sheet										Rev. A	

CAT. NO. & DIMENSIONS

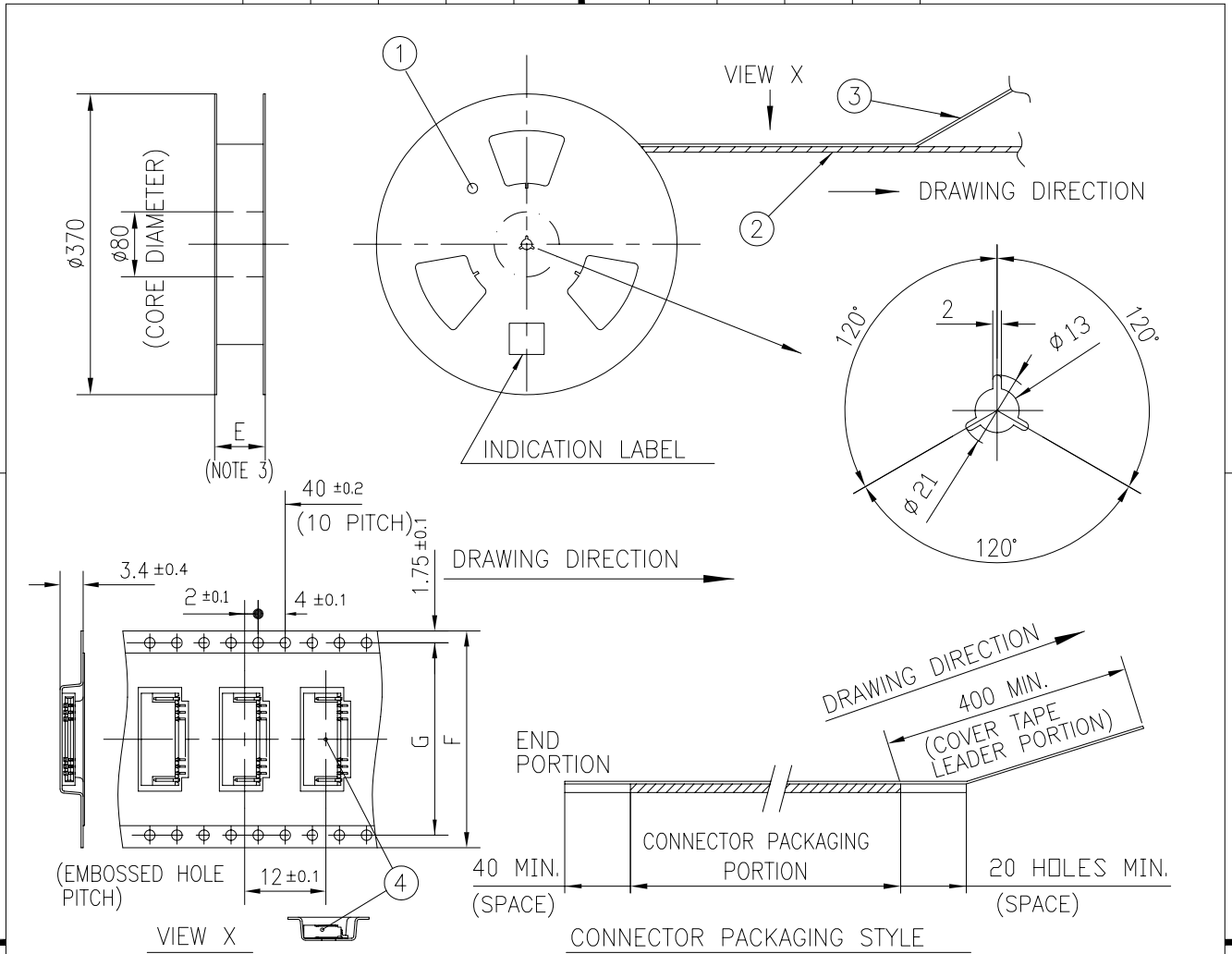
(NOTE4)	NO. OF CONTACTS (n)	CAT. NO. (NOTE2)	DIMENSIONS (NOTE3)		
			E ± 5	F ± 0.3	G ± 0.1
	4	HFW4R-1/2STAE1HLF	28.4	24	—
	5	HFW5R-1/2STAE1HLF	28.4	24	—
	6	HFW6R-1/2STAE1HLF	28.4	24	—
	7	HFW7R-1/2STAE1HLF	28.4	24	—
	8	HFW8R-1/2STAE1HLF	28.4	24	—
	9	HFW9R-1/2STAE1HLF	28.4	24	—
	10	HFW10R-1/2STAE1HLF	28.4	24	—
	11	HFW11R-1/2STAE1HLF	28.4	24	—
	12	HFW12R-1/2STAE1HLF	28.4	24	—
	13	HFW13R-1/2STAE1HLF	28.4	24	—
	14	HFW14R-1/2STAE1HLF	28.4	24	—
	15	HFW15R-1/2STAE1HLF	36.4	32	28.4
	16	HFW16R-1/2STAE1HLF	36.4	32	28.4
	17	HFW17R-1/2STAE1HLF	36.4	32	28.4
	18	HFW18R-1/2STAE1HLF	36.4	32	28.4
	19	HFW19R-1/2STAE1HLF	48.4	44	40.4
	20	HFW20R-1/2STAE1HLF	48.4	44	40.4
	21	HFW21R-1/2STAE1HLF	48.4	44	40.4
	22	HFW22R-1/2STAE1HLF	48.4	44	40.4
	23	HFW23R-1/2STAE1HLF	48.4	44	40.4
	24	HFW24R-1/2STAE1HLF	48.4	44	40.4
	25	HFW25R-1/2STAE1HLF	48.4	44	40.4
	26	HFW26R-1/2STAE1HLF	48.4	44	40.4
	27	HFW27R-1/2STAE1HLF	48.4	44	40.4
*	28	HFW28R-1/2STAE1HLF	48.4	44	40.4
*	29	HFW29R-1/2STAE1HLF	48.4	44	40.4
	30	HFW30R-1/2STAE1HLF	60.4	56	52.4



NOTES

1. THIS PRODUCT IS THE CONNECTOR DESIGNED TO TERMINATE FPC AND COPEES WITH AUTOMATIC MOUNTING (SMT).
2. THIS CATALOG NO. INDICATES PLASTIC TAPE PACKAGED CONNECTOR.
3. SEE PART DRAWINGS FOR DIMENSIONS E~G.
4. PLEASE CONSULT US IN CASE OF USING PARTS WITH * MARK.

mat'l. code				surface 58 / tolerance ISO 1302 / ISO 406 / ISO 1101		projection		product family 58NF				
ltr	ecn no	dr	date	tolerances unless otherwise specified		mm		title				
A				angles	linear	scale X		CAT. NO. TABLE FOR PLASTIC TAPE PACKAGED 1mm SPACING SMT CONN (Cat.No. HFW__R-1/2STAE1HLF)				
				dr	H. TAKAKURA	06-10-23	FCJ		dwg no		sheet 5 of 8	size
				engr	DENNIS GOH	09-01-21			10096547		A4	
				chr	DENNIS GOH	09-01-21						
				appd	JOEY NG	09-01-21						
sheet index	revision sheet											Rev. A



PT. NO.	PARTS NAME	CAT. NO.	MATERIAL	Q'TY	NOTE
1	REEL	_____	CARDBOARD	1	COLOR:WHITE
2	PLASTIC (EMBOSSED) TAPE	_____	PET	—	COLOR:TRANSPARENCY
3	COVER	_____	POLYESTER	—	COLOR:TRANSPARENCY
4	CONNECTOR	HFW__R-1STA__HLF	SEE ATTACHED DWG.	2000	LOWER CONTACT TYPE

NOTES

1. THIS IS PLASTIC TAPE PACKAGED CONNECTOR DESIGNED TO TERMINATE FPC AND CYPES WITH AUTOMATIC MOUNTING (SMT).
2. SEE JIS C 0806 (PACKING OF ELECTRONIC COMPONENTS ON CONTINUOUS TAPES (SURFACE MOUNTING DEVICES)) FOR SHAPE AND DIMENSIONS OF PLASTIC (EMBOSSED) TAPE AND REEL.
3. E DIMENSION IS PORTION OF THE CORE.

mat'l. code				surface 58 ✓ ISO 1302		tolerance ISO 406 ISO 1101		projection		product family 58NF		CODE JP	
ltr ecn no dr date				tolerances unless otherwise specified		±5		mm		title			
A				angles		linear		scale		1mm SPACING SMT CONNECTOR (Cat.No. HFW__R-1STAE1HLF)			
				dr H. TAKAKURA		06-10-23				dwg no		sheet 6 of 8 size	
				enr DENNIS GOH		09-01-21				10096547		A4	
				chr DENNIS GOH		09-01-21							
				appd JOEY NG		09-01-21				type Product Customer Drawing			
sheet index		revision sheet										Rev. A	



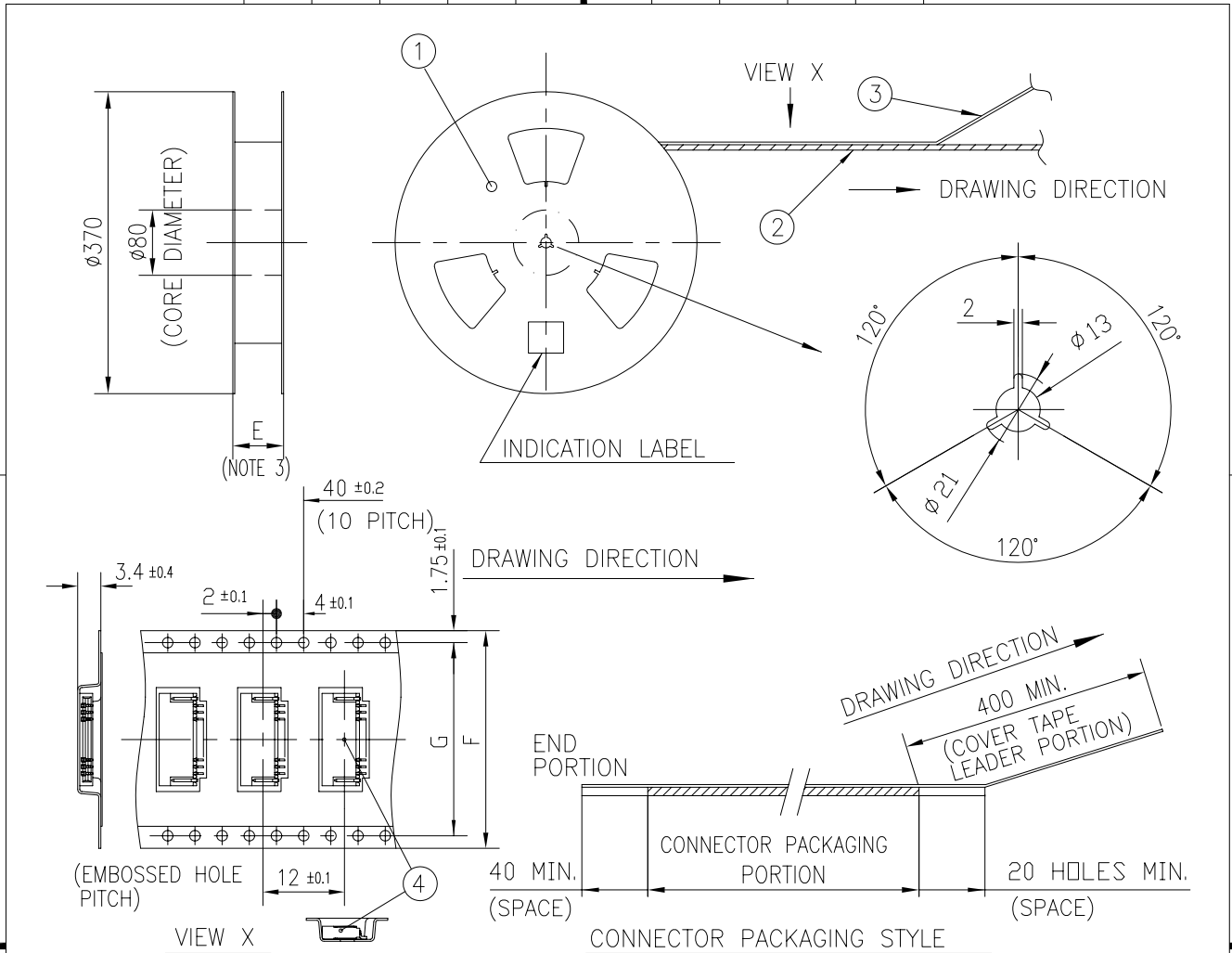
FCIconnect.com

Copyright FCI.



D

D



PT. NO.	PARTS NAME	CAT. NO.	MATERIAL	Q'TY	NOTE
1	REEL	_____	CARDBOARD	1	COLOR:WHITE
2	PLASTIC (EMBOSS) TAPE	_____	PET	_____	COLOR:TRANSPARENCY
3	COVER	_____	POLYESTER	_____	COLOR:TRANSPARENCY
4	CONNECTOR	HFWR-2STA-HLF	SEE ATTACHED DWG.	2000	UPPER CONTACT TYPE

NOTES

1. THIS IS PLASTIC TAPE PACKAGED CONNECTOR DESIGNED TO TERMINATE FPC AND COPE WITH AUTOMATIC MOUNTING (SMT).
2. SEE JIS C 0806 (PACKING OF ELECTRONIC COMPONENTS ON CONTINUOUS TAPES (SURFACE MOUNTING DEVICES)) FOR SHAPE AND DIMENSIONS OF PLASTIC (EMBOSS) TAPE AND REEL.
3. E DIMENSION IS PORTION OF THE CORE.

mat'l. code		surface 58		tolerance ISO 406		projection		product family 58NF	
ltr		ecn no		ISO 1302		mm		title	
A				tolerances unless otherwise specified		mm		1mm SPACING SMT CONNECTOR	
				angles ±5°		scale		(Cat.No. HFWR-2STAE1HLF)	
				linear		X		dwg no sheet 7 of 8 size	
				dr H. TAKAKURA 06-10-23		FCJ		10096547 A4	
				enr DENNIS GOH 09-01-21				type Product Customer Drawing	
				chr DENNIS GOH 09-01-21					
				appd JOEY NG 09-01-21					
sheet index		revision sheet						Rev. A	



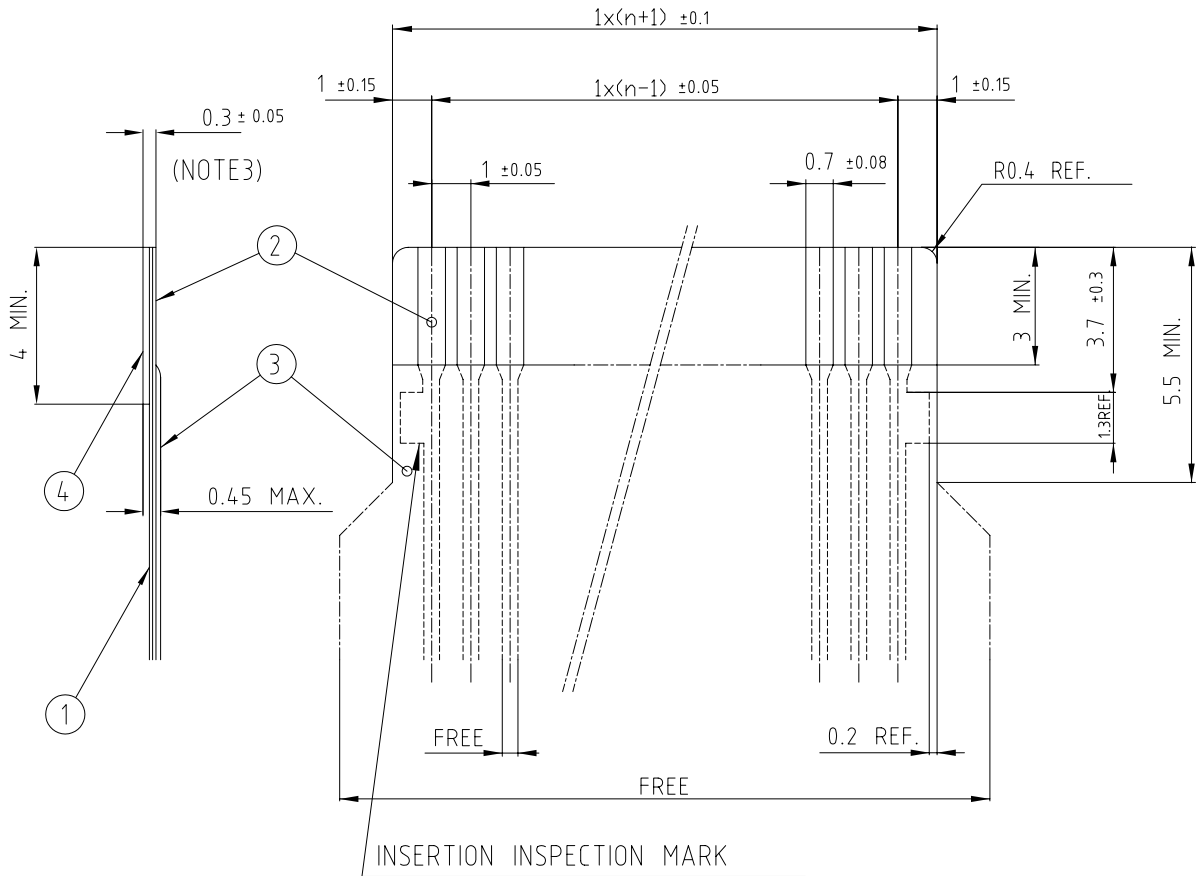
FCIconnect.com

Copyright FCI.



RECOMMENDED CABLE (FPC)

n : NO. OF CONDUCTORS



PT. NO.	DESCRIPTION	MATERIAL	THICKNESS (um)
1	BASE FILM	POLYIMIDE OR POLYESTER OR EQUIVALENT	25
2	CONDUCTOR	COPPER FOIL(PLATING : GOLD)	35
3	OVERLAY	POLYIMIDE OR POLYESTER OR EQUIVALENT	—
4	SUPPORTING TAPE	POLYESTER OR POLYIMIDE OR EQUIVALENT	188

NOTES

1. NO BURR AT EACH PORTION.
2. NO PEELING IN COMMON USE.
3. TOTAL THICKNESS LIMIT OF EACH MATERIAL (INCLUDING ADHESIVE AGENT) IS SPECIFIED.



FCIconnect.com

Copyright FCI.

mat'l. code				surface 58 ✓ ISO 1302		tolerance ISO 406 ISO 1101		projection 		product family 58NF			
ltr	ecn no	dr	date	tolerances unless otherwise specified		linear		mm 		title RECOMMENDED CABLE HFV__R-1/2STA__			
A				angles				scale \times		dwg no		sheet 8 of 8	size
				dr	H. TAKAKURA	06-10-23			10096547		Product Customer Drawing		Rev. A
			engr	DENNIS GOH	09-01-21								
			chr	DENNIS GOH	09-01-21								
			appd	JOEY NG	09-01-21								
sheet index	revision sheet												

X-ON Electronics

Largest Supplier of Electrical and Electronic Components

Click to view similar products for [FFC & FPC Connectors](#) category:

Click to view products by [Amphenol](#) manufacturer:

Other Similar products are found below :

[K-FC20](#) [FH29B-80S-0.2SHW\(99\)](#) [FPH-2022G](#) [AYF332735](#) [52610-1075](#) [52610-1275](#) [52610-1934](#) [501864-3091-TR225](#) [086222026001800](#)
[52610-0675](#) [62684-36210E9ALF](#) [52746-1671-TR250](#) [10051922-2810EHLF](#) [6-520415-9](#) [SFV6R-1STE9HLF](#) [XF3M-2915-1B-R100](#)
[1658549-1](#) [46214008010800](#) [AYF534065TA](#) [AYF351525](#) [086212040340800+](#) [AYF530365TA](#) [67000-014LF](#) [67000-004LF](#)
[006207341915000+](#) [DS1020-19RT1D](#) [67000-003LF](#) [67000-011LF](#) [67000-016LF](#) [HFW14R-2STE9LF](#) [SFV32R-2STBE9HLF](#) [SFW12R-](#)
[5STE9LF](#) [SFW18R-1STAE9LF](#) [SFW4R-5STE9LF](#) [52807-0430](#) [046283021002868+](#) [THD1015-8CL-SN](#) [67000-006LF](#) [502250-8027](#)
[104267-9617](#) [66987-011LF](#) [AYF362535](#) [F0501-T-50-20T-R](#) [HFW8S-2STAE1HLF](#) [67000-008LF](#) [67000-012LF](#) [ECC576069EU](#) [F1002-B-](#)
[20-20T-R](#) [HFW15S-2STAE1HLF](#) [0781271110](#)