



FCconnect.com

Copyright FCI.

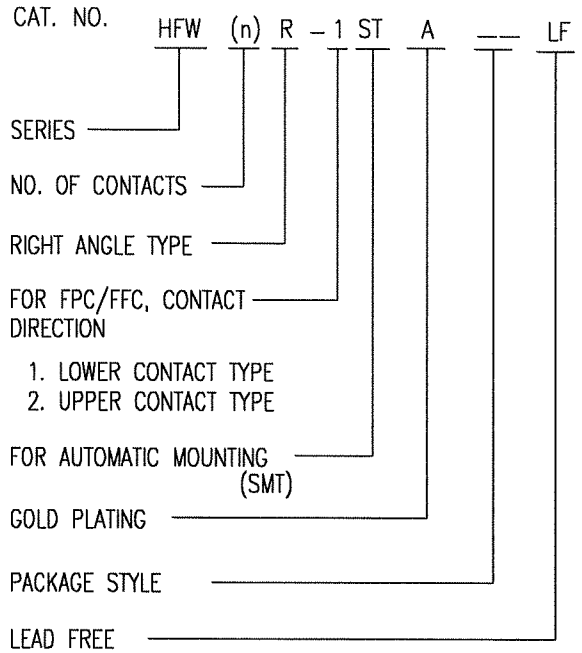
List of "HFW\_\_R-1/2STAE1LF" customer document

DOCUMENT NO.	LIST
SC-HFWR03	SPEC.
JSA96453	CAT.NO.TABLE FOR 1mm SPACING SMT CONNECTOR (HFW__R-1/2STA__LF)
JSA96454	1mm SPACING SURFACE MOUNT FPC CONNECCTOR (HFW__R-1STA__LF)
JSA96455	1mm SPACING SURFACE MOUNT FPC CONNECCTOR (HFW__R-2STA__LF)
JSA96456	CAT.NO.TABLE FOR PLASTIC TAPE PACKAGED 1mm SPACING SMT CONN.(HFW__R-1/2STAE1LF)
JSA96457	1mm SPACING SMT CONNECTOR (HFW__R-1STAE1LF)
JSA96458	1mm SPACING SMT CONNECTOR (HFW__R-2STAE1LF)
JSA96459	RECOMMENDED CABLE (FPC) (HFW__R-1/2STA)
BJM-HFWR101	HANDLING PROCEDURES

mat'l. code				surface <sup>58</sup> / tolerance	projection	product family	58NF	CODE	JP	
				ISO 1302 ✓ / ISO 406 / ISO 1101		title				
ltr	ecn no	dr	date	tolerances unless otherwise specified		mm	1mm SPACING FPC/FPC CONNECTOR DOCUMENT LIST			
A	J05-0322	H.T	6/3/05	angles	linear	← →	(Cat. No. : HFW__R-1/2STAE1LF)			
B	J06-0413	H.T	10/4/06			scale				
C	J07-0161	H.T	3/15/07							
				dr	<i>[Signature]</i> 3/15/07		dwg no		sheet 1 of 1	size
				enr	<i>[Signature]</i> 3/15/07		JSA 96452			A4
				chr	<i>[Signature]</i> 3/19/07		type		Product Customer Drawing	
				appd	<i>[Signature]</i> 3/19/07					
sheet index	revision	C								Rev
	sheet	1								C

CAT. NO. & DIMENSIONS

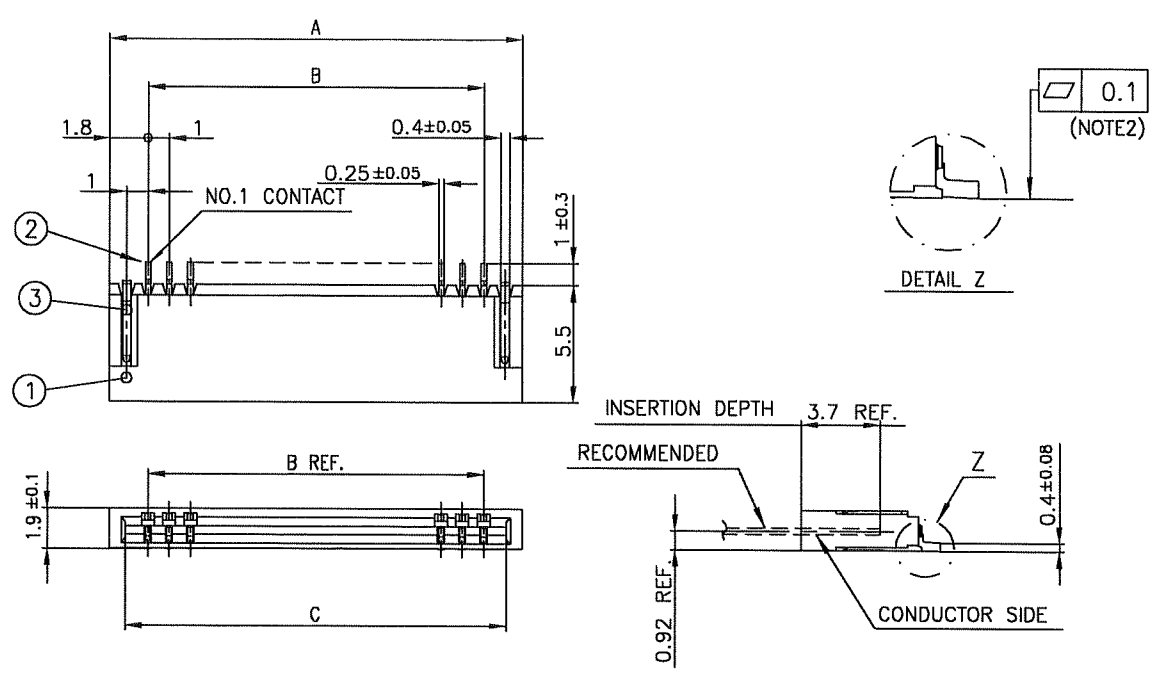
(NOTE3)	NO. OF CONTACTS (n)	CAT. NO.	DIMENSIONS (NOTE2)		
			A ± 0.2	B ± 0.2	C ± 0.1
	4	HFW4R-1/2STA__LF	6.6	3	5.14
	5	HFW5R-1/2STA__LF	7.6	4	6.14
	6	HFW6R-1/2STA__LF	8.6	5	7.14
	7	HFW7R-1/2STA__LF	9.6	6	8.14
	8	HFW8R-1/2STA__LF	10.6	7	9.14
	9	HFW9R-1/2STA__LF	11.6	8	10.14
	10	HFW10R-1/2STA__LF	12.6	9	11.14
	11	HFW11R-1/2STA__LF	13.6	10	12.14
	12	HFW12R-1/2STA__LF	14.6	11	13.14
	13	HFW13R-1/2STA__LF	15.6	12	14.14
	14	HFW14R-1/2STA__LF	16.6	13	15.14
	15	HFW15R-1/2STA__LF	17.6	14	16.14
	16	HFW16R-1/2STA__LF	18.6	15	17.14
	17	HFW17R-1/2STA__LF	19.6	16	18.14
	18	HFW18R-1/2STA__LF	20.6	17	19.14
	19	HFW19R-1/2STA__LF	21.6	18	20.14
	20	HFW20R-1/2STA__LF	22.6	19	21.14
	21	HFW21R-1/2STA__LF	23.6	20	22.14
	22	HFW22R-1/2STA__LF	24.6	21	23.14
	23	HFW23R-1/2STA__LF	25.6	22	24.14
	24	HFW24R-1/2STA__LF	26.6	23	25.14
	25	HFW25R-1/2STA__LF	27.6	24	26.14
	26	HFW26R-1/2STA__LF	28.6	25	27.14
	27	HFW27R-1/2STA__LF	29.6	26	28.14
*	28	HFW28R-1/2STA__LF	30.6	27	29.14
*	29	HFW29R-1/2STA__LF	31.6	28	30.14
	30	HFW30R-1/2STA__LF	32.6	29	31.14



NOTES

1. THIS PRODUCT IS THE CONNECTOR DESIGNED TO TERMINATE FPC AND COPE WITH AUTOMATIC MOUNTING (SMT).
2. SEE PART DRAWINGS FOR DIMENSIONS A~C.
3. PLEASE CONSULT US IN CASE OF USING PARTS WITH \* MARK.

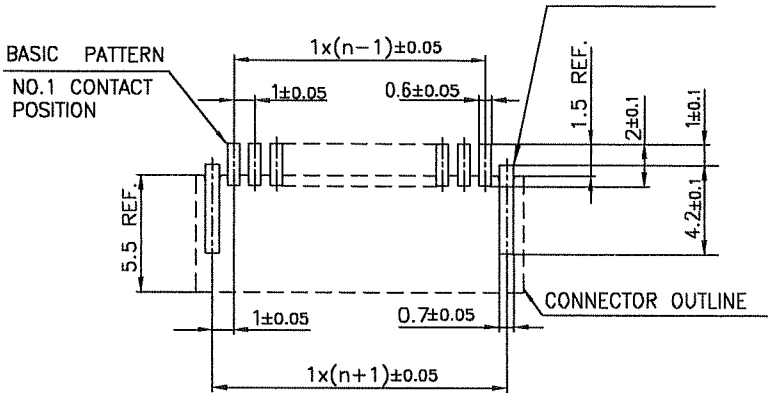
mat'l. code				surface 58/ISO 1302 ✓		tolerance ISO 406 ISO 1101		projection		product family 58NF		CODE JP	
ltr		ecn no		dr		date		tolerances unless otherwise specified		title		CAT NO.TABLE FOR 1mm SPACING SMT CONNECTOR (Cat.No. HFW__R-1/2STA__LF)	
A		J05-0322		H.T		6/3/'05		angles linear		mm		scale X	
B		J06-0413		H.T		10/4/'06		dr		sheet 1 of 1		size A4	
								engr		JSA 96453			
								chr		type Product Customer Drawing			
								appd					
sheet index		revision B		sheet 1								Rev. B	



PT. NO.	PARTS NAME	MATERIAL	Q'TY	NOTE
1	HOUSING	PA6T RESIN GLASS REINFORCED (UL94V-0)	1	COLOR:BLACK
2	CONTACT	PHOSPHOR BRONZE	n	PLATING:GOLD
3	MOUNTING PLATE		2	PLATING:TIN

n : NO. OF CONTACTS

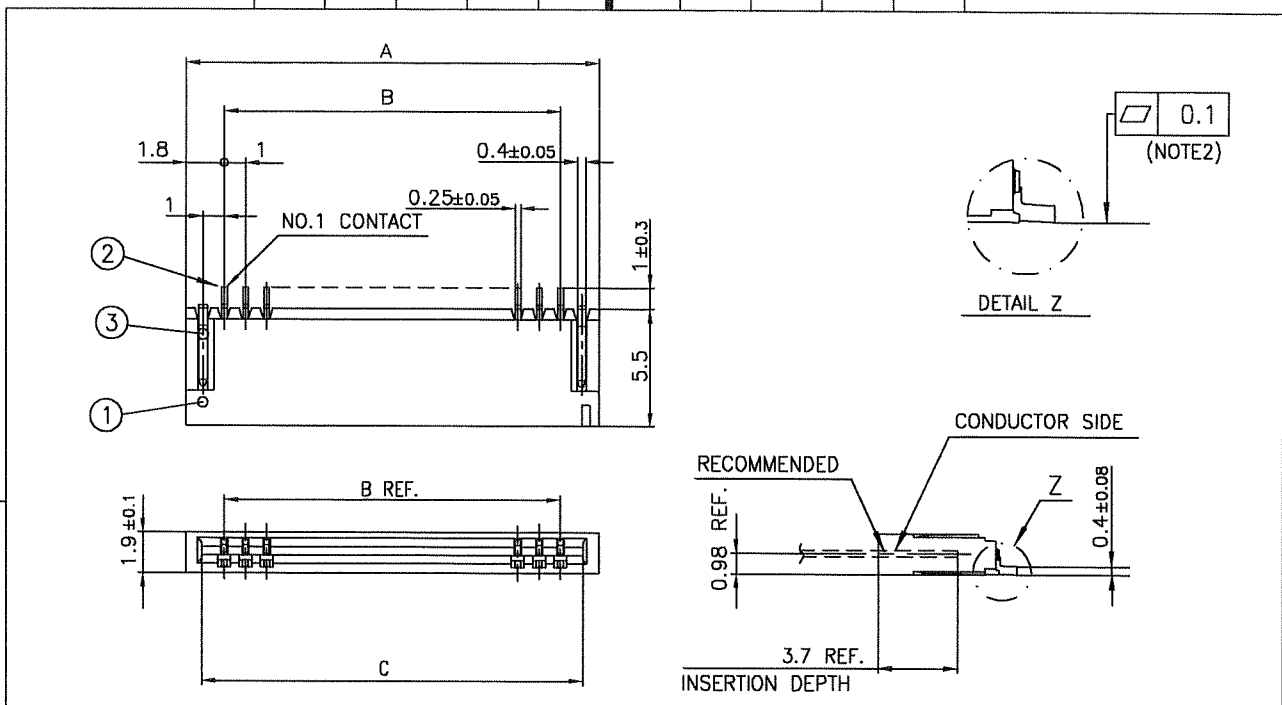
RECOMMENDED PC BOARD LAYOUT (COMPONENT SIDE)



- NOTES
1. THIS PRODUCT IS THE CONNECTOR DESIGNED TO TERMINATE FPC AND COPES WITH AUTOMATIC MOUNTING (SMT).
  2. FLATNESS OF CONTACT TERMINAL FOR HOUSING MUST BE WITHIN TOLERANCE IN Z PORTION DETAILED DRAWING.
  3. THIS PRODUCT IS LOWER CONTACT TYPE CONNECTOR.
  4. THIS PRODUCT MEETS EUROPEAN UNION DIRECTIVES AND OTHER COUNTRY REGULATIONS AS DESCRIBED IN GS-22-008
  5. THE HOUSING WILL WITHSTAND EXPOSURE TO 260°C PEAK TEMPERATURE FOR 10 SECONDS IN A REFLOW SOLDERING OVEN.

Copyright FCI. FCconnect.com

mat'l. code				surface 58 ISO 1302	tolerance ISO 406 ISO 1101	projection 	product family 58NF	CODE JP
ltr	ecn no	dr	date	tolerances unless otherwise specified		mm 	title 1mm SPACING SURFACE MOUNT FPC CONNECTOR (Cat.No. HFW__R-1STA__LF)	
A	J05-0322	H.T	6/3/'05	angles	±0.2			
B	J05-0732	H.T	10/28/'05	linear				
C	J06-0413	H.T	10/4/'06			scale X	dwg no sheet 1 of 1 size	
				dr	<i>J. O...</i> 10/14/06		JSA 96454 A4	
				enr	<i>J. O...</i> 10/14/06		type Product Customer Drawing	
				chr	<i>J. O...</i> 12/12/06			
				app	<i>J. O...</i> 10/12/06			
sheet index	revision sheet	C	1					Rev. C

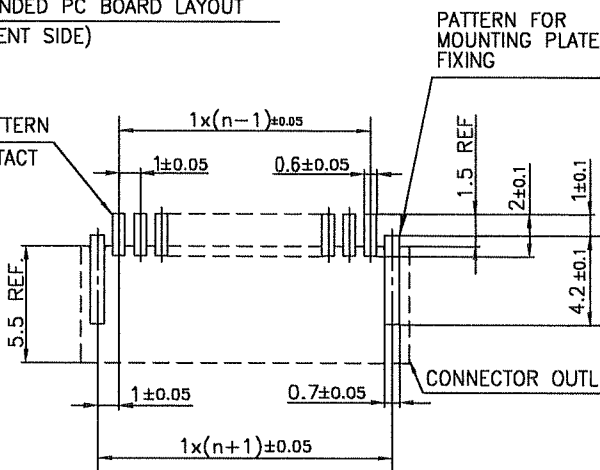


PT. NO.	PARTS NAME	MATERIAL	Q'TY	NOTE
1	HOUSING	PA6T RESIN GLASS REINFORCED (UL94V-0)	1	COLOR:BLACK
2	CONTACT	PHOSPHOR BRONZE	n	PLATING:GOLD
3	MOUNTING PLATE		2	PLATING:TIN

n : NO. OF CONTACTS

RECOMMENDED PC BOARD LAYOUT  
(COMPONENT SIDE)

BASIC PATTERN  
NO.1 CONTACT  
POSITION



NOTES

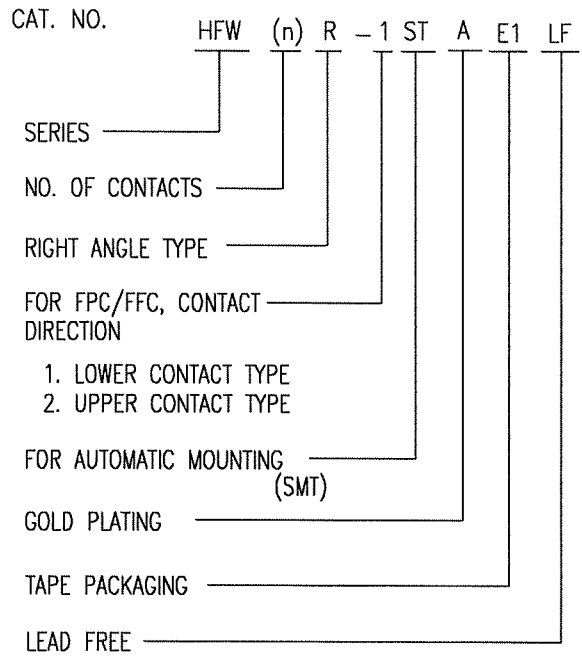
- THIS PRODUCT IS THE CONNECTOR DESIGNED TO TERMINATE FPC AND COPES WITH AUTOMATIC MOUNTING (SMT).
- FLATNESS OF CONTACT TERMINAL FOR HOUSING MUST BE WITHIN TOLERANCE IN Z PORTION DETAILED DRAWING.
- THIS PRODUCT IS UPPER CONTACT TYPE CONNECTOR.
- THIS PRODUCT MEETS EUROPEAN UNION DIRECTIVES AND OTHER COUNTRY REGULATIONS AS DESCRIBED IN GS-22-008
- THE HOUSING WILL WITHSTAND EXPOSURE TO 260°C PEAK TEMPERATURE FOR 10 SECONDS IN A REFLOW SOLDERING OVEN.

mat'l. code				surface 58 / tolerance ISO 1302 ✓ / ISO 406 / ISO 1101		projection		product family 58NF		CODE JP	
ltr ecn no dr date				tolerances unless otherwise specified		mm		title			
A J05-0322 H.T 6/3/'05				angles linear ±0.2		mm		1mm SPACING SURFACE MOUNT FPC CONNECTOR (Cat.No. HFW_R-2STA_LF)			
B J05-0732 H.T 10/28/'05						scale X		dwg no sheet 1 of 1 size			
C J06-0413 H.T 10/4/'06						FCJ		JSA 96455 A4			
sheet index				revision C				type Product Customer Drawing			
sheet 1								Rev. C			

SC-HFWR 03 JSA96453 form: A4

CAT. NO. & DIMENSIONS

(NOTE4)	NO. OF CONTACTS (n)	CAT. NO. (NOTE2)	DIMENSIONS (NOTE3)		
			E ± 5	F ± 0.3	G ± 0.1
	4	HFW4R-1/2STAE1LF	28.4	24	—
	5	HFW5R-1/2STAE1LF	28.4	24	—
	6	HFW6R-1/2STAE1LF	28.4	24	—
	7	HFW7R-1/2STAE1LF	28.4	24	—
	8	HFW8R-1/2STAE1LF	28.4	24	—
	9	HFW9R-1/2STAE1LF	28.4	24	—
	10	HFW10R-1/2STAE1LF	28.4	24	—
	11	HFW11R-1/2STAE1LF	28.4	24	—
	12	HFW12R-1/2STAE1LF	28.4	24	—
	13	HFW13R-1/2STAE1LF	28.4	24	—
	14	HFW14R-1/2STAE1LF	28.4	24	—
	15	HFW15R-1/2STAE1LF	36.4	32	28.4
	16	HFW16R-1/2STAE1LF	36.4	32	28.4
	17	HFW17R-1/2STAE1LF	36.4	32	28.4
	18	HFW18R-1/2STAE1LF	36.4	32	28.4
	19	HFW19R-1/2STAE1LF	48.4	44	40.4
	20	HFW20R-1/2STAE1LF	48.4	44	40.4
	21	HFW21R-1/2STAE1LF	48.4	44	40.4
	22	HFW22R-1/2STAE1LF	48.4	44	40.4
	23	HFW23R-1/2STAE1LF	48.4	44	40.4
	24	HFW24R-1/2STAE1LF	48.4	44	40.4
	25	HFW25R-1/2STAE1LF	48.4	44	40.4
	26	HFW26R-1/2STAE1LF	48.4	44	40.4
	27	HFW27R-1/2STAE1LF	48.4	44	40.4
*	28	HFW28R-1/2STAE1LF	48.4	44	40.4
*	29	HFW29R-1/2STAE1LF	48.4	44	40.4
	30	HFW30R-1/2STAE1LF	60.4	56	52.4

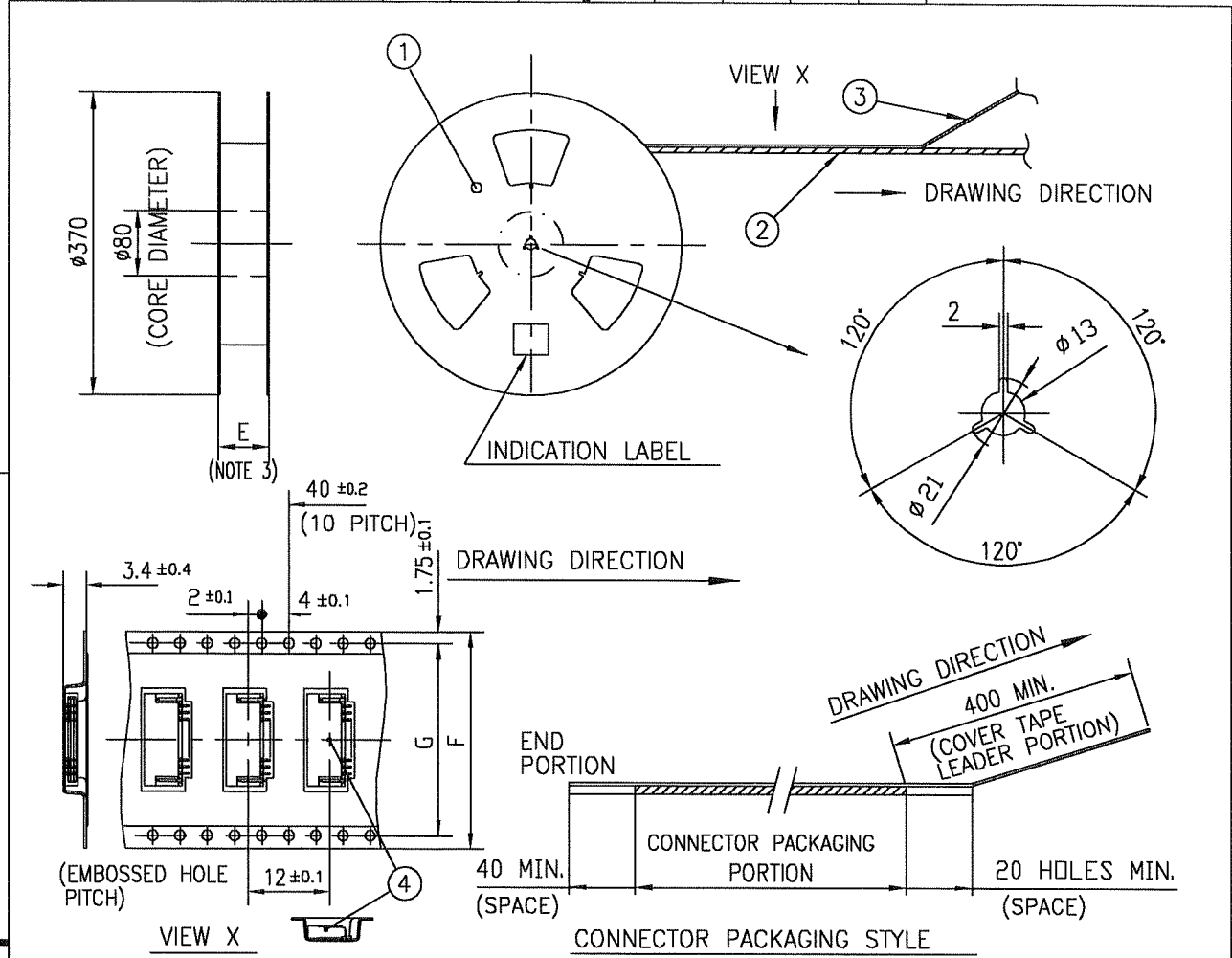


NOTES

1. THIS PRODUCT IS THE CONNECTOR DESIGNED TO TERMINATE FPC AND COPEES WITH AUTOMATIC MOUNTING (SMT).
2. THIS CATALOG NO. INDICATES PLASTIC TAPE PACKAGED CONNECTOR.
3. SEE PART DRAWINGS FOR DIMENSIONS E~G.
4. PLEASE CONSULT US IN CASE OF USING PARTS WITH \* MARK.

mat'l. code				surface 5B / ISO 1302 ✓		tolerance ISO 406 ISO 1101		projection		product family 58NF		CODE JP	
ltr	ecn no	dr	date	tolerances unless otherwise specified				mm		title			
A	J05-D322	H.T	6/3/'05	angles	linear			mm		CAT. NO. TABLE FOR PLASTIC TAPE PACKAGED 1mm SPACING SMT CONN (Cat.No. HFW__R-1/2STAE1LF)			
B	J06-D413	H.T	10/4/'06					scale X		dwg no		sheet 1 of 1 size	
			dr					FCJ		JSA 96456		A4	
			enrg							type		Product Customer Drawing	
			chr										
			appd										
sheet index		revision B										Rev. B	
		sheet 1											

SC-HFWR03 JSA96453 form: A4



PT. NO.	PARTS NAME	CAT. NO.	MATERIAL	Q'TY	NOTE
1	REEL	—	CARDBOARD	1	COLOR:WHITE
2	PLASTIC (EMBOSSD) TAPE	—	PET	—	COLOR:TRANSPARENCY
3	COVER	—	POLYESTER	—	COLOR:TRANSPARENCY
4	CONNECTOR	HFW__R-1STA__LF	SEE ATTACHED DWG.	2000	LOWER CONTACT TYPE

- NOTES
- THIS IS PLASTIC TAPE PACKAGED CONNECTOR DESIGNED TO TERMINATE FPC AND COPES WITH AUTOMATIC MOUNTING (SMT).
  - SEE JIS C 0806 (PACKING OF ELECTRONIC COMPONENTS ON CONTINUOUS TAPES (SURFACE MOUNTING DEVICES)) FOR SHAPE AND DIMENSIONS OF PLASTIC (EMBOSSD) TAPE AND REEL.
  - E DIMENSION IS PORTION OF THE CORE.

mat'l. code		surface 58 / ISO 1302 ✓		tolerance ISO 406 / ISO 1101		projection		product family 58NF		CODE JP	
ltr	ecn no	dr	date	tolerances unless otherwise specified				title			
A	J05-0322	H.T	6/3/'05	angles		linear		mm		1mm SPACING SMT CONNECTOR	
B	J06-0413	H.T	10/4/'06	±5'				scale X		(Cat.No. HFW__R-1STAE1LF)	
		dr	10/4/06					dwg no		sheet 1 of 1 size	
		enrg	10/4/06					JSA 96457		A4	
		chr	12/12/06					type		Product Customer Drawing	
		appd	10/12/06								
sheet index		revision sheet		B		1				Rev. B	

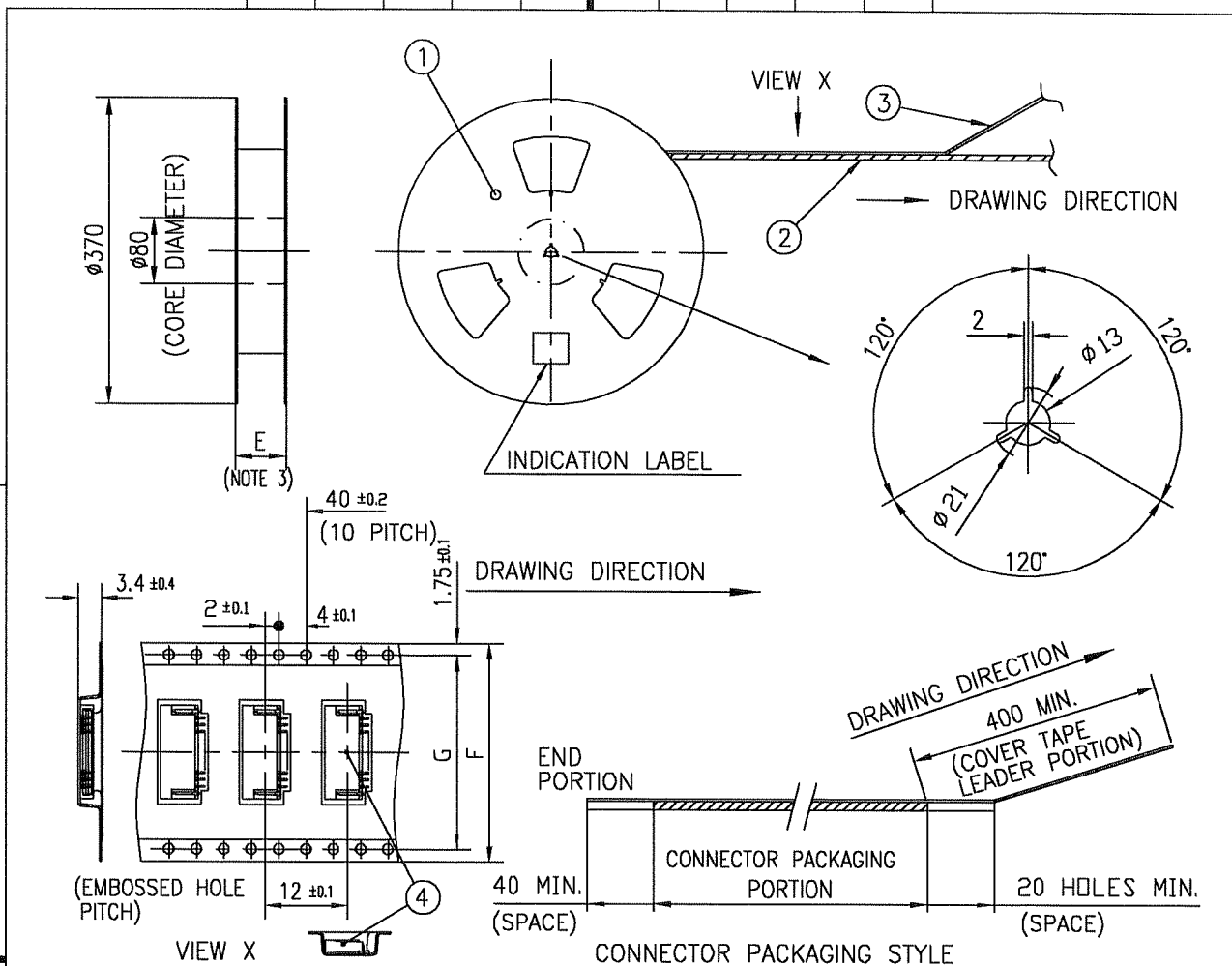
SC-HFWR 03 JSA96453 form: A4



FCJconnect.com

Copyright FCJ.





PT. NO.	PARTS NAME	CAT. NO.	MATERIAL	Q'TY	NOTE
1	REEL	---	CARDBOARD	1	COLOR:WHITE
2	PLASTIC (EMBOSSD) TAPE	---	PET	---	COLOR:TRANSPARENCY
3	COVER	---	POLYESTER	---	COLOR:TRANSPARENCY
4	CONNECTOR	HFWR__R-2STA__-LF	SEE ATTACHED DWG.	2000	UPPER CONTACT TYPE

NOTES

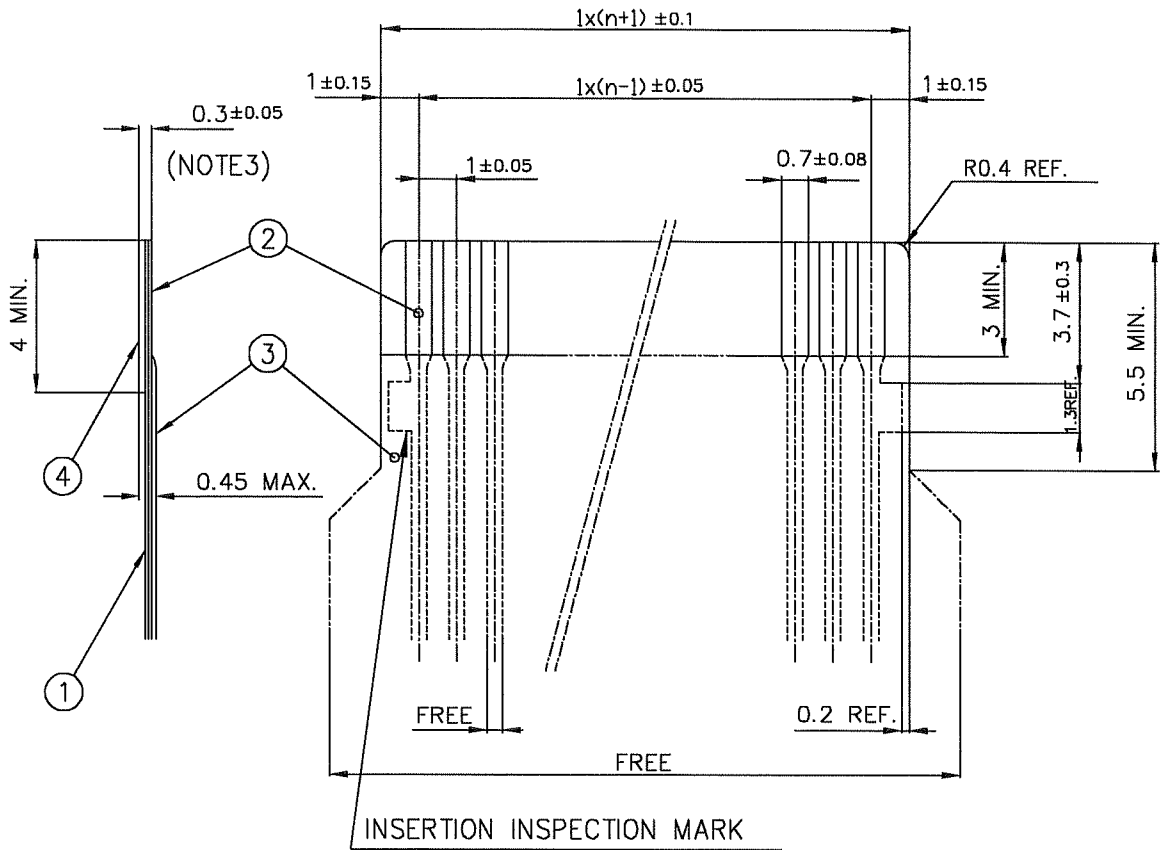
1. THIS IS PLASTIC TAPE PACKAGED CONNECTOR DESIGNED TO TERMINATE FPC AND COPES WITH AUTOMATIC MOUNTING (SMT).
2. SEE JIS C 0806 (PACKING OF ELECTRONIC COMPONENTS ON CONTINUOUS TAPES (SURFACE MOUNTING DEVICES)) FOR SHAPE AND DIMENSIONS OF PLASTIC (EMBOSSD) TAPE AND REEL.
3. E DIMENSION IS PORTION OF THE CORE.

mat'l. code		surface 58 ISO 1302 ✓		tolerance ISO 406 ISO 1101		projection mm		product family 58NF		CODE JP	
ltr		ecn no		dr		date		tolerances, unless otherwise specified		title	
A		J05-0322		H.T.		6/3/'05		±5		1mm SPACING SMT CONNECTOR (Cat.No. HFWR__R-2STAE1LF)	
B		J06-0413		H.T.		10/4/'06		angles linear		scale X	
								±5'		dwg no	
								dr		sheet 1 of 1	
								engr		size	
								chr		A4	
								appd		type	
								sheet		Product Customer Drawing	
								revision		Rev.	
								sheet		B	
								1			

SC-HFWR 03 JSA96453  
form: A4

RECOMMENDED CABLE (FPC)

n : NO. OF CONDUCTORS



PT. NO.	DESCRIPTION	MATERIAL	THICKNESS ( $\mu\text{m}$ )
1	BASE FILM	POLYIMIDE OR POLYESTER OR EQUIVALENT	25
2	CONDUCTOR	COPPER FOIL(PLATING : GOLD)	35
3	OVERLAY	POLYIMIDE OR POLYESTER OR EQUIVALENT	—
4	SUPPORTING TAPE	POLYESTER OR POLYIMIDE OR EQUIVALENT	188

NOTES

1. NO BURR AT EACH PORTION.
2. NO PEELING IN COMMON USE.
3. TOTAL THICKNESS LIMIT OF EACH MATERIAL (INCLUDING ADHESIVE AGENT) IS SPECIFIED.

mat'l. code				surface 58 / tolerance ISO 1302 $\checkmark$ ISO 406 ISO 1101		projection		product family 58NF		CODE JP			
ltr	ecn no	dr	date	tolerances, unless otherwise specified				title					
A	J05-0322	H.T	6/2/'05	angles linear				RECOMMENDED CABLE					
B	J06-0078	H.T	3/1/'06					HFW__R-1/2STA__					
C	J06-0413	H.T	10/4/'06					scale $\times$					
				dr <i>H. Hatakeyama</i> 10/4/06						dwg no		sheet 1 of 1	size
				enr <i>H. Hatakeyama</i> 10/4/06						JSA 96459		A4	
				chr <i>J. King</i> 10/12/06						type		Product Customer Drawing	
				appd <i>S. Iizumi</i> 10/12/06									
sheet index	revision sheet	c	1									Rev. c	



## X-ON Electronics

Largest Supplier of Electrical and Electronic Components

*Click to view similar products for [Amphenol manufacturer](#):*

Other Similar products are found below :

[PT01SE-16-8P\(027\)](#) [PT01SE-16-8P\(476\)](#) [CTV06RW-11-2JB-LC](#) [97-3108A-22-14P](#) [10-474017-10P](#) [MS27473P14B18S](#) [TV06RW-25-90AE](#)  
[CTVS06RF-25-46PB-LC](#) [PT02E10-2PW](#) [PT02E10-2PX](#) [97-3106A18-3PX-958](#) [97-3106A18-3PY-958](#) [PT06J20-24SW](#) [TV06RL-13-35AD](#)  
[TV06RL-13-98BD](#) [TV06RW-25-46AE](#) [TV06RL-13-35SD-LC](#) [TV06RL-13-35SD](#) [TV06RL-13-98SD-LC](#) [TV06RL-13-98SD](#) [TVP00RW-23-](#)  
[53AD](#) [PT02E10-2PW-025](#) [100-007-213-002-001](#) [2M805-002-16NF23-12PA](#) [97-3108B16S-5PW-417](#) [97-3108B16S-5PY-417](#) [CS-](#)  
[DSDMDB37MF-025](#) [97-3108B16S-5PZ-417](#) [GTC02R32-17S-025-RDS](#) [PT06SE2041P](#) [CF-5A9013-04N](#) [CF-6A4615-06N](#) [GTC02R32-17S-](#)  
[025-RDS-LC](#) [GTC02R32-17S-025-LC](#) [PT06SE-24-61P\(LC\)](#) [SP28W1F](#) [TV07DT-25-37P](#) [TV07DT-25-37JN-LC](#) [TV07DT-25-37S](#) [TV07DT-](#)  
[25-37S-LC](#) [TV07DT-25-46P-LC](#) [97-3101A20-21P-958](#) [TV07DT-25-90P-LC](#) [TV07DT-25-46A](#) [TV07DT-25-37P-LC](#) [GTS08-36-22PZ-025-](#)  
[B30](#) [PT00SP2241P](#) [CTVPS00RF-15-15AC](#) [LJT06RT-15-35PB\(023\)](#) [TVS07RF-15-15AB](#)