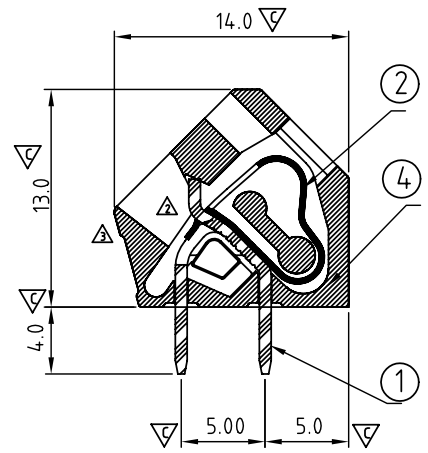
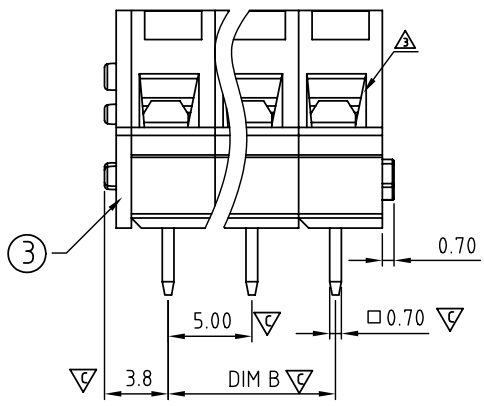
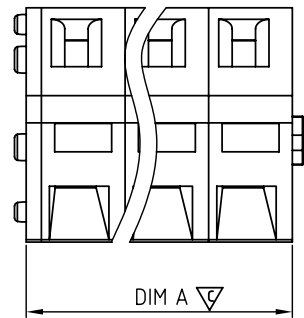


SIGN	DATE	DESCRIPTION	APPROVER
△	01/27'07	The soldering temperature from 245°to 250°	Aaron
△	10/09'12	Update the drawing	Da cheng
△	04/19'13	Update the drawing	Da cheng

THIS IS CAD DRAWING, DO NOT REVISE MANUALLY!!!



△ Material

- Item ① Terminal body (Contact pin): Brass, Tin plated
- Item ② Spring clamp: Stainless steel
- Item ③ Terminal Cover: Thermoplastic (UL94V-0)
- Item ④ Terminal Body: Thermoplastic (UL94V-0)

Electrical

- Voltage rating: 300V
- Current rating: 15A
- Wire range:
- Solid wire(AWG): 12-28
- Stranded wire(AWG): 12-28
- △ ● Wire strip length: 5-6mm
- Withstanding Voltage: 1.6KV
- Operating temperature: -40°C to +115°C
- △ △ ● Soldering temperature: 260°C±5°C/5 Sec
- Safety Approval:
- △ ● Critical dimension: ▽

cULus

HG xx 00 x 0 xxxx G

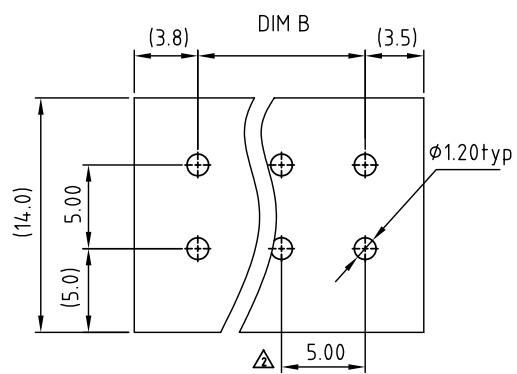
01	1 CONTACTS	△ △ Color	000 0 Standard @ Logo	G: RoHs compliant △
02	2 CONTACTS	0 Black (RAL9005)	000 A Standard ANY Logo	(lead<4%)
...	...	2 Red (RAL3001/D)	Any special item by customer request, please contact sales department.	
...	...	3 Orange(RAL2011/P)	In copper Alloy	
24	24 CONTACTS	4 Yellow(RAL1018/A)		
		5 Green(RAL6018/T)		
		6 Blue (RAL5015/A)		
		8 Grey(RAL7004/P)		
		9 White(RAL1102)		
		C Multiple colors		

△ Dimension

DIM A	Nx5.0+0.9
DIM B	(N-1)×5.0

△ N=Number of poles

POLES	DIM B	DIM A
1P		±0.10
2p-6p	±0.15	±0.20
7p-12p	±0.20	±0.25
13p-18p	±0.25	±0.30
19p-24p	±0.35	±0.40



PCB LAYOUT  
△ Bottom view

**ANYTEK**

**CUSTOMER COPY**

ALL RIGHTS RESERVED. REPRODUCTION OR ISSUE TO THIRD PARTIES IN ANY FORM WHATSOEVER IS NOT PERMITTED WITHOUT WRITTEN AUTHORITY FROM THE PROPRIETOR. PROPERTY OF ANYTEK TECHNOLOGY CO., LTD

TITLE	HG 5.0mm Series			DWG NO.	8HG0001
PART NO.	HGxx00x0xxxxG			CUST NO.	
APPROVED	CHECKED	DESIGNED	DRAWN	Tolerance	
		Da cheng 2013.04.19	Da cheng 2013.04.19	X. ±0.50	
					X.X ±0.30
					X.XX ±0.10
				SHEET: 01/01	X° ±1°

## X-ON Electronics

Largest Supplier of Electrical and Electronic Components

*Click to view similar products for [Fixed Terminal Blocks](#) category:*

*Click to view products by [Amphenol](#) manufacturer:*

Other Similar products are found below :

[MBE-1512](#) [MBE-1520](#) [MBE-154](#) [MBE-156](#) [MBES-156](#) [MH-2512](#) [MHE-132](#) [MHE-163](#) [MI-254 \(35\)](#) [MI-272](#) [MPT-275](#) [ELM10110G](#)  
[BA311TU](#) [BA411SU](#) [MV-253/NCNOC](#) [MV-254-D](#) [MV-255](#) [MV-493](#) [MVE-252](#) [MVE-253](#) [MVE-273](#) [MVEB-153](#) [1700096](#) [1705142](#)  
[1712417](#) [1713088](#) [1745195](#) [1760594](#) [1-796689-8](#) [1-796692-6](#) [1800114](#) [20020314-C121B01LF](#) [20020316-G041B01LF](#) [KP03215000J0G](#)  
[KP04215000J0G](#) [S451](#) [29.007](#) [29.116](#) [30.103](#) [30.106](#) [30.503](#) [30.608](#) [30.755](#) [30.756](#) [30.853](#) [9872-0-00-15-00-00-33-0](#) [996750](#) [1706303](#)  
[1710052](#) [1712418](#)