


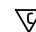
SIGN	DATE	DESCRIPTION	APPROVER
△	01/27'07	The soldering temperature from 245°to 250°	Aaron
△	10/09'12	Update the drawing	Da cheng
△	04/11'13	Update the drawing	Da cheng

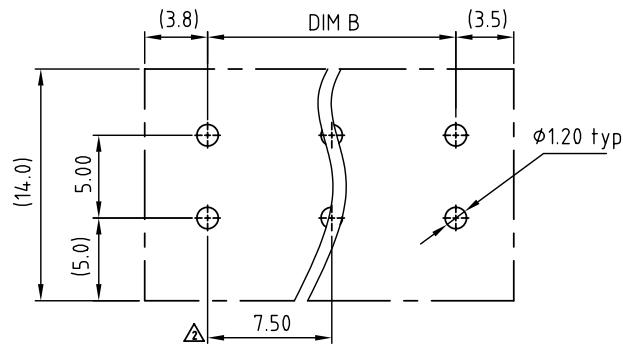
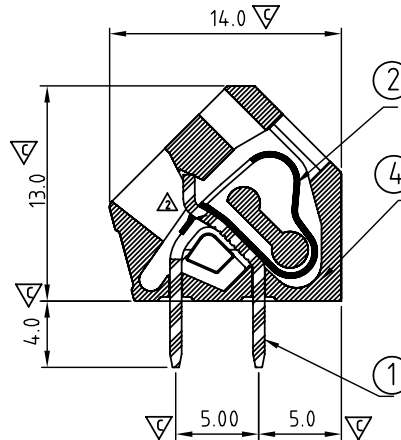
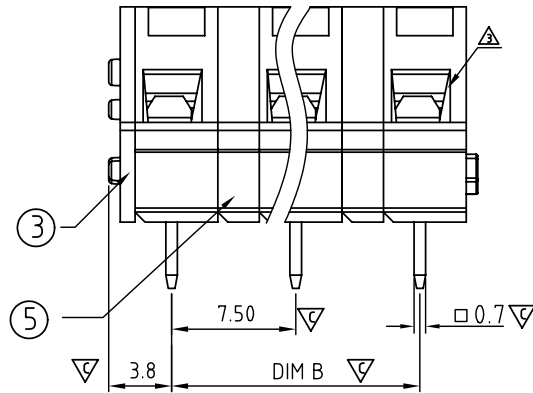
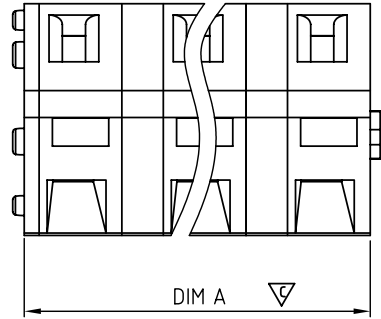
THIS IS CAD DRAWING, DO NOT REVISE MANUALLY!!!

△ Material

- Item ① Terminal body (Contact pin): Brass, Tin plated
- Item ② Spring clamp: Stainless steel
- Item ③ Terminal Cover: Thermoplastic (UL94V-0)
- Item ④ Terminal Body: Thermoplastic (UL94V-0)
- Item ⑤ Pad board: Thermoplastic (UL94V-0)

Electrical

- Voltage rating: 300VAC
- Current rating: 15A
- Wire range:
 - Solid wire(AWG): 12-28
 - Stranded wire(AWG): 12-28
- Pull force:
- Screw:
 - △● Wire strip length: 5-6mm
 - Withstanding Voltage: 1.6KV
 - △● Operating temperature: -40°C to +115°C
 - △△● Soldering temperature: 260°C±5°C/5 Sec
 - △● Safety Approval: 
 - △● Critical dimension: 



PCB LAYOUT
△ Bottom view

△ Dimension

DIM A	$(N-1) \times 7.5 + 5.9$
DIM B	$(N-1) \times 7.5$

△ N=Number of poles

POLES	DIM B	DIM A
2p-4p	±0.15	±0.20
5p-8p	±0.20	±0.25
9p-12p	±0.25	±0.30
13p-16p	±0.30	±0.40

HG xx 20 x 0 xxxx G

02 2 CONTACTS
03 3 CONTACTS
... ..
16 16 CONTACTS

△△ Color
0 Black (RAL9005)
2 Red (RAL3001/D)
3 Orange(RAL2011/P)
4 Yellow(RAL1018/A)
5 Green(RAL6018/T)
6 Blue (RAL5015/A)
8 Grey(RAL7004/P)
9 White(RAL1102)
C Multiple colors

000 0 Standard @ Logo
000 A Standard ANY Logo
Any special item by customer request, please contact sales department.

RoHS compliant (lead<4%) △
In copper Alloy

ANYTEK

CUSTOMER COPY

ALL RIGHTS RESERVED. REPRODUCTION OR ISSUE TO THIRD PARTIES IN ANY FORM WHATSOEVER IS NOT PERMITTED WITHOUT WRITTEN AUTHORITY FROM THE PROPRIETOR. PROPERTY OF ANYTEK TECHNOLOGY CO., LTD

TITLE	HG 7.5mm Series			DWG NO.	8HG0201	
PART NO.	HGxx20x0xxxxG			CUST NO.		
APPROVED	CHECKED	DESIGNED	DRAWN			Tolerance
		Da cheng 2013.04.11	Da cheng 2013.04.11			X. ±0.50 X.X ±0.30 X.XX ±0.10 X° ±1°
				SHEET: 01/01		UNIT: mm SCALE: NONE REV.: F

X-ON Electronics

Largest Supplier of Electrical and Electronic Components

Click to view similar products for [Fixed Terminal Blocks](#) category:

Click to view products by [Amphenol](#) manufacturer:

Other Similar products are found below :

[MBE-1512](#) [MBE-1520](#) [MBE-154](#) [MBE-156](#) [MBES-156](#) [MH-2512](#) [MHE-132](#) [MHE-163](#) [MI-254 \(35\)](#) [MI-272](#) [MPT-275](#) [ELM10110G](#)
[BA311TU](#) [BA411SU](#) [MV-253/NCNOC](#) [MV-254-D](#) [MV-255](#) [MV-493](#) [MVE-252](#) [MVE-253](#) [MVE-273](#) [MVEB-153](#) [1700096](#) [1705142](#)
[1712417](#) [1713088](#) [1745195](#) [1760594](#) [1-796689-8](#) [1-796692-6](#) [1800114](#) [20020314-C121B01LF](#) [20020316-G041B01LF](#) [KP03215000J0G](#)
[KP04215000J0G](#) [S451](#) [29.007](#) [29.116](#) [30.103](#) [30.106](#) [30.503](#) [30.608](#) [30.755](#) [30.756](#) [30.853](#) [9872-0-00-15-00-00-33-0](#) [996750](#) [1706303](#)
[1710052](#) [1712418](#)