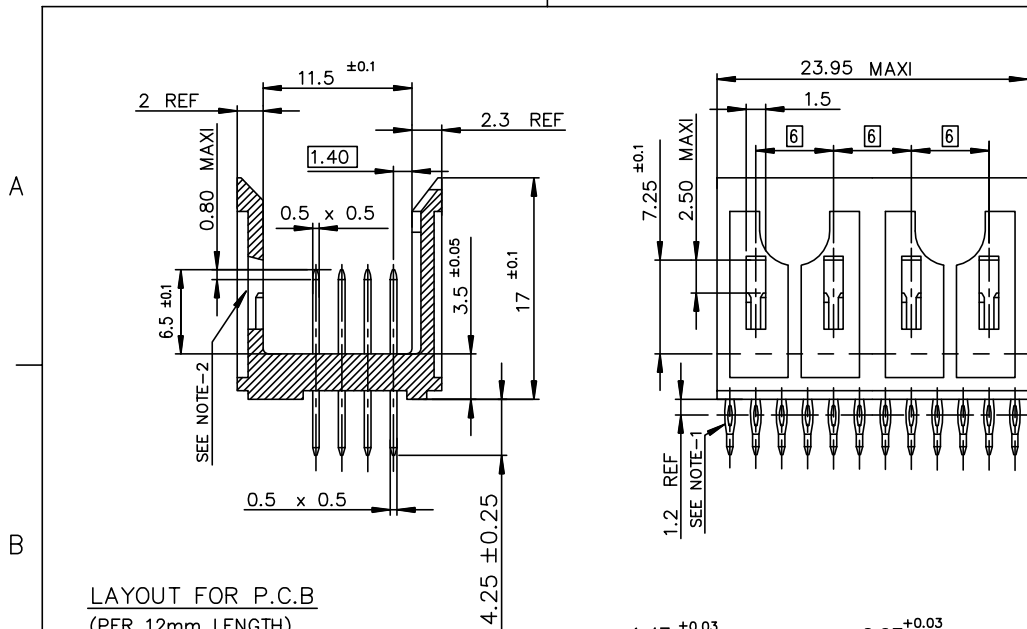


GENERAL CHARACTERISTICS AND ROHS INFORMATIONS:
 SEE PRODUCT SPECIFICATION GS-12-445

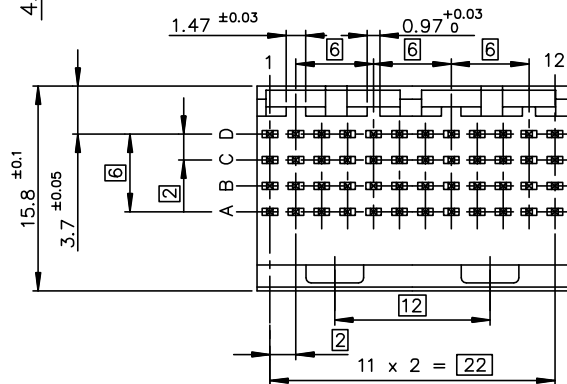
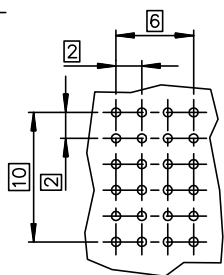
- NOTE-1: "EYE OF THE NEEDLE" PRESS-FIT PIN TYPE
 NOTE-2: CAVITY FOR CODING KEY MOUNTING AND CABLE CONNECTOR LATCH.
 NOTE-3: IF SUFFIX "P" IS ADDED IN P/N PACKAGING IS IN TRAYS
 BUT CONNECTOR MARKING IS WITHOUT "P"
 EXAMPLE: HM1W42DPR400H6P, MARKED HM1W42DPR400H6
 NOTE-4: INSERTION TOOLING ON PCB, SEE DRAWING REF C-8626-1001
 NOTE-5: P.C.B HOLES DEFINITION - SEE GS-12-445

SPECIFIC DATAS:

- Visual inspection : 100%
- Marking failures
 - Housing material failures
 - Spoilt housing
 - Stained housing
 - Broken contacts (twisted or loosen)



LAYOUT FOR P.C.B
 (PER 12mm LENGTH)



PART NUMBER Δ

HM1W42DPR400H*P(LF)

LF = FOR LEAD FREE PRODUCT

PLATING CODE:

- 6 = TELCORDIA CO
- E = CUSTOMER SPECIAL, CONTACT 30u" GOLD SELECTIVE PLATING.

European Views

www.fciconnect.com		surface ISO 1302 <input checked="" type="checkbox"/>	tolerance std ISO 406 ISO 1101	projection 	mm
		TOLERANCES UNLESS OTHERWISE SPECIFIED			
Dr	PERRICHOT	2001/01/26	ANGULAR	0.X	±0.1
Eng	LENOIR	2001/01/26	LINEAR	0.XX	±0.1
Chr	LEGARE	2001/01/26	0.XX ±2	0.XXX	±0.1
Appr	LEGARE	2001/01/26	Product family		METRAL
				size	A3
				ECN	DG09-0367
				Spec ref	-
title METRAL STRAIGHT HEADER - 48 WAY PRESS-FIT/ WIDE BODY		catalog no		dwg no C-8626-1111	Rev. E
				CUSTOMER	sheet 1 of 1

rev	ecn no	dr	date
A1	-	-	2001/01/26
B	LS05-004	MLE	2005/02/22
C	LS06-0095	LGO	2006/07/05
D	LS07-0012	MLE	2007/03/27
E	DG09-0367	TER	2009-11-25
-	-	-	-
-	-	-	-



Copyright FCI.

X-ON Electronics

Largest Supplier of Electrical and Electronic Components

Click to view similar products for [Hard Metric Connectors](#) category:

Click to view products by [Amphenol](#) manufacturer:

Other Similar products are found below :

[6345127-1](#) [646916-9](#) [6469658-1](#) [973108](#) [1-2000713-0](#) [1-2000713-2](#) [1-2000713-3](#) [120646-1](#) [1645343-1](#) [1645456-1](#) [1645594-1](#) [1645595-1](#)
[1645601-1](#) [1934822-1](#) [278071110010833](#) [1645179-1](#) [1645245-1](#) [1645457-1](#) [1645525-1](#) [1645570-1](#) [1645596-1](#) [17041102202](#) [17-8072-125-](#)
[000-863+](#) [1857470-1](#) [1934275-1](#) [1934289-1](#) [1934759-1](#) [2000673-1](#) [2170292-2](#) [2-536642-6](#) [3-106015-1](#) [352188-1](#) [352629-1](#) [3-646529-0](#)
[5120823-1](#) [5120899-1](#) [3-100145-0](#) [3-100147-0](#) [3-100669-1](#) [3-106081-0](#) [HM2DK2368PLF](#) [5646530-1](#) [3-352049-0](#) [3-352069-0](#) [3-352115-0](#)
[3-352638-0](#) [352189-1](#) [3-646357-0](#) [3-646487-0](#) [3-646513-0](#)