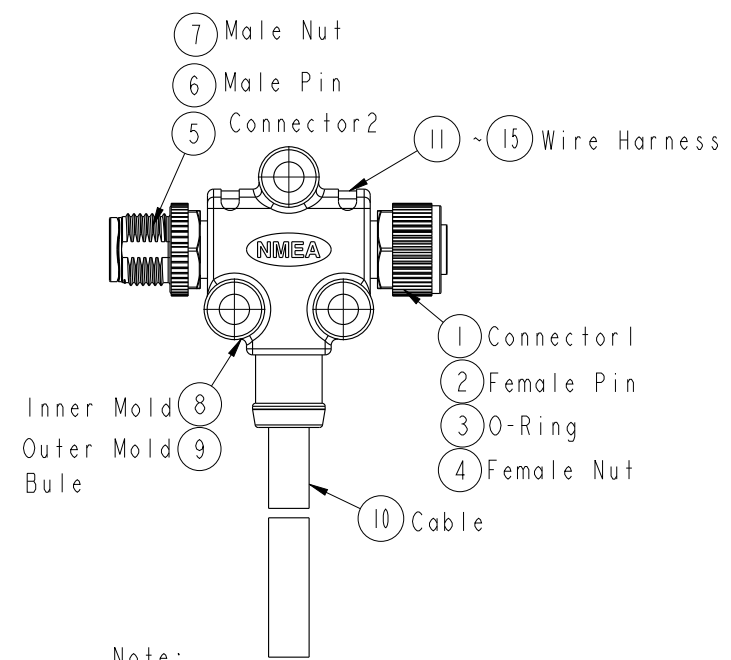
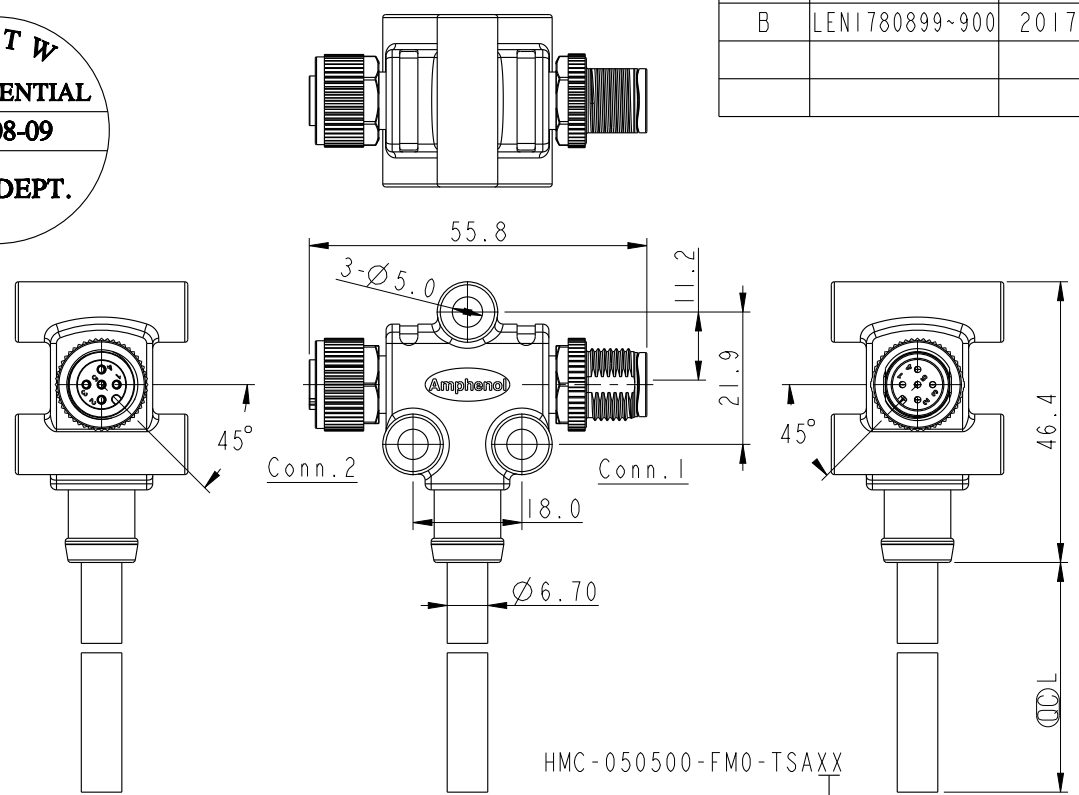


THIS DOCUMENT IS SUBJECT TO CHANGE WITHOUT NOTICE. IT IS CONFIDENTIAL AND A PROPERTY OF Amphenol LTW. DISCLOSURE TO THIRD PARTY HAS TO BE AUTHORIZED BY Amphenol LTW.

**ALTW**  
**CONFIDENTIAL**  
 2017-08-09  
**R&D DEPT.**

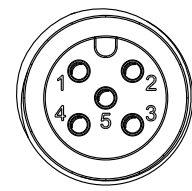
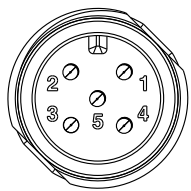
| REV. | ECN NO.        | DATE       | SIGN       | DESCRIPTION |
|------|----------------|------------|------------|-------------|
| B    | LEN1780899~900 | 2017-08-09 | Frank Deng | Add Package |



HMC-050500-FM0-TSAXX

XX: 01~99Meters  
 01: 01Meter  
 02: 02Meters  
 ..  
 99: 99Meters  
 Cable Length(L): 01~99Meters

Note:  
 \*  $\varnothing$  Important Dimension To Check.  
 \* Waterproof Rate: IP68  
 In 1 meter water within 24 hours  
 \* Connector: PU, Black  
 \* Nut: Zinc Alloy, Nickel Plated  
 \* Pin: Copper Alloy, Gold Plated 30u"  
 \* Outer Mold: PU, Blue  
 \* Wire Harness: UL1061, 22AWG  
 \* Cable: CL2, (24#\*IP+A/M)+(22#\*IP+A/M)+  
 D+B, PVC UV Cable, OD=6.7mm, Black  
 \* Cable Length Tolerance: 01M: ±40mm  
 02M~05M: ±60mm  
 06M~10M: ±100mm  
 11M~30M: ±200mm  
 31M~99M: ±500mm



Conn.1  
 Pin Assignments  
 Front View

Conn.2  
 Pin Assignments  
 Front View

|                   |         |              |             |       |
|-------------------|---------|--------------|-------------|-------|
| 5                 | Blue 藍  | 5            | Blue 藍 24#  | Twist |
| 4                 | White 白 | 4            | White 白 24# |       |
| 3                 | Black 黑 | 3            | Black 黑 22# | Twist |
| 2                 | Red 紅   | 2            | Red 紅 22#   |       |
| 1                 | Green 綠 | 1            | Drain 22#   |       |
| Conn.1 Wire Color |         | Conn.2 Cable |             |       |

UNIT:mm   
 TOLERANCE ±0.50mm

|                                      |                |                     |  |
|--------------------------------------|----------------|---------------------|--|
| TITLE<br>NMEA2000 Micro-C<br>T Cable |                |                     |  |
| SCALE<br>1:2                         | SIZE<br>A4     | SHEET 1 OF 2        |  |
| REV.<br>B                            | WC-REV.<br>A.1 | QC: Inspection item |  |

**Amphenol LTW**  
 安費諾亮泰企業股份有限公司

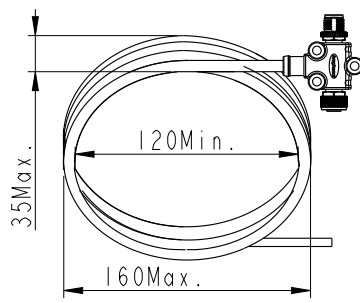
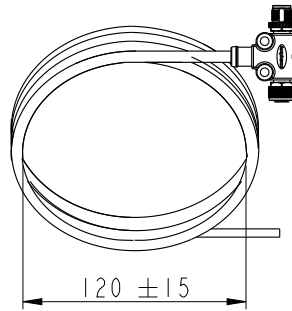
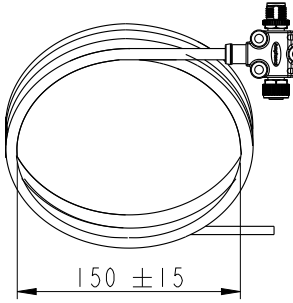
|                                |                           |                    |
|--------------------------------|---------------------------|--------------------|
| ITEM NO                        | DRAWN BY<br>Frank Deng    | DATE<br>2017-08-09 |
| DWG NO<br>HMC-050500-FM0-TSAXX | CHECKED BY<br>Fisher Wang | DATE<br>2017-08-09 |
| CUSTOMER<br>ALTW               | APPROVED BY<br>Kevin Hu   | DATE<br>2017-08-09 |

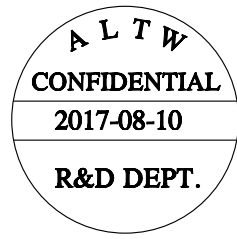
THIS DOCUMENT IS SUBJECT TO CHANGE WITHOUT NOTICE. IT IS CONFIDENTIAL AND A PROPERTY OF Amphenol LTW. DISCLOSURE TO THIRD PARTY HAS TO BE AUTHORIZED BY Amphenol LTW.


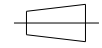
1 2 3 4 5 6 7 8

F  
E  
D  
C  
B  
A



| PN                   | Dimension Of Roll   |
|----------------------|---|
| HMC-050500-FM0-TSA02 |   |
| HMC-050500-FM0-TSA05 |   |
| HMC-050500-FM0-TSA10 |  |



UNIT:mm  

|                                      |                |                     |  |
|--------------------------------------|----------------|---------------------|--|
| TITLE<br>NMEA2000 Micro-C<br>T Cable |                |                     |  |
| SCALE<br>1:2                         | SIZE<br>A4     | SHEET 2 OF 2        |  |
| REV.<br>B                            | WC-REV.<br>A.1 | QC: Inspection item |  |

**Amphenol LTW**  
安費諾亮泰企業股份有限公司

|                                |                           |                    |
|--------------------------------|---------------------------|--------------------|
| ITEM NO                        | DRAWN BY<br>Frank Deng    | DATE<br>2017-08-09 |
| DWG NO<br>HMC-050500-FM0-TSAXX | CHECKED BY<br>Fisher Wang | DATE<br>2017-08-09 |
| CUSTOMER<br>ALTW               | APPROVED BY<br>Kevin Hu   | DATE<br>2017-08-09 |

1 2 3 4 5 6 7 8 FMW10702-01-02A1

## X-ON Electronics

Largest Supplier of Electrical and Electronic Components

*Click to view similar products for [Sensor Cables / Actuator Cables](#) category:*

*Click to view products by [Amphenol](#) manufacturer:*

Other Similar products are found below :

[60963](#) [60964](#) [703000D02F2002](#) [703000D02F300](#) [703001D02F0602](#) [703001D02F1201](#) [703001D02F300](#) [704000D02F120](#) [MDM21SH001F](#)  
[773032K02F030](#) [802027107404-1](#) [802027213811-1](#) [804001A09M150](#) [805001A09M0502](#) [84914-0235](#) [84914-0237](#) [885030A09M010](#)  
[885030A09M020](#) [8R4006A18M010](#) [1200651332](#) [1200651713](#) [1200660844](#) [1200660845](#) [1200661173](#) [1200680071](#) [1200720053](#)  
[1200720081](#) [1200720099](#) [1200720217](#) [1200800231](#) [1200860125](#) [1200870123](#) [1200980102](#) [1200650298](#) [1200660183](#) [1200660782](#)  
[1200660849](#) [1200661295](#) [1200661297](#) [1200661342](#) [1200661343](#) [1200670220](#) [1200680331](#) [1200720252](#) [1200720255](#) [1200720597](#)  
[1200730184](#) [1200860344](#) [1200870359](#) [1200870643](#)