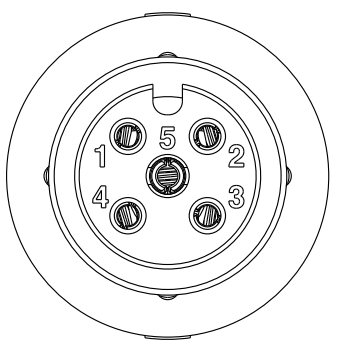
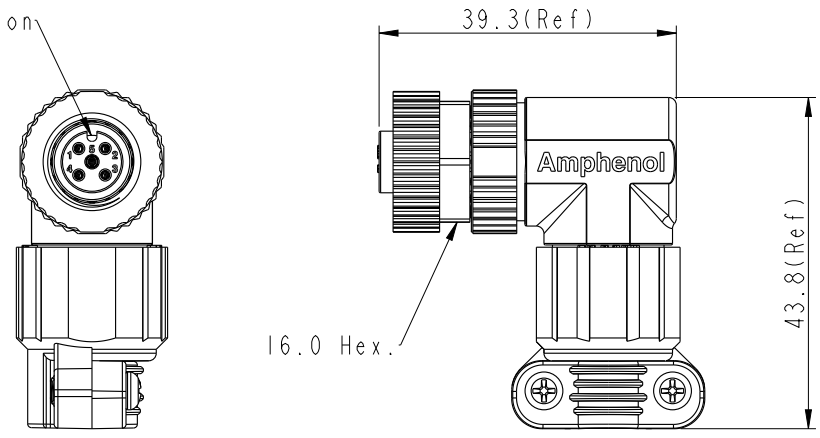
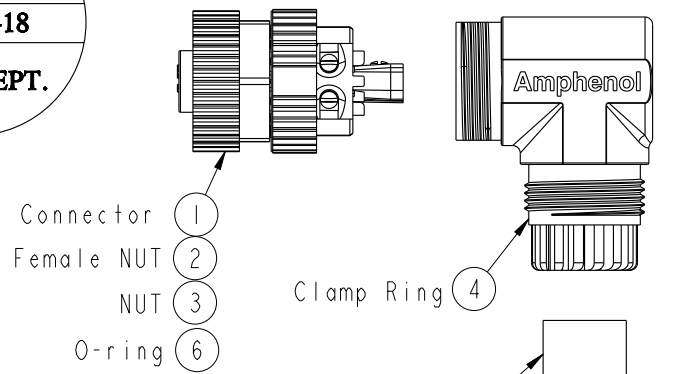


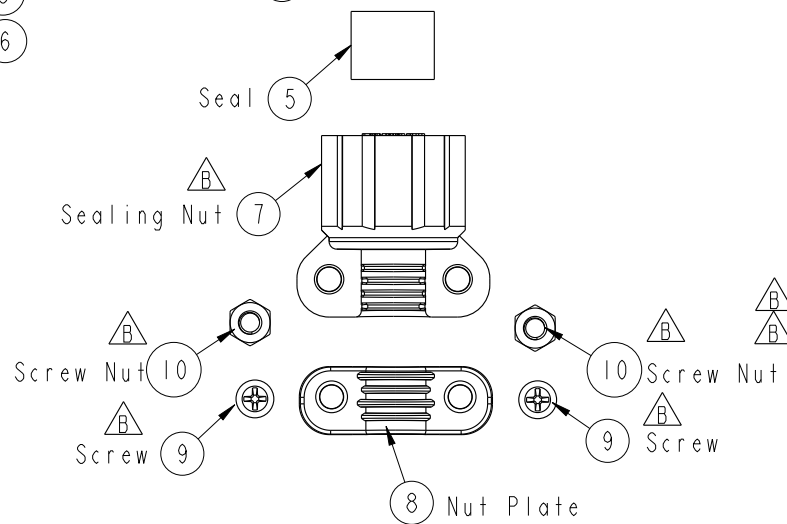
REV.	ECN NO.	DATE	SIGN	DESCRIPTION
A	Initial Release	2017-04-14	Frank Deng	Rev.01 To Rev.A
B	LE317B0197	2017-11-18	Frank Deng	Update Drawing

ALTW
CONFIDENTIAL
 2017-11-18
R&D DEPT.

360° Adjustable Key Code Direction



Pin Assignments
 Front View



- Note:
- * CC Important Dimension To Check.
 - * Waterproof Rate: IP67(Mated)
 - * Housing: Nylon,Black
 - * Female Pin: Copper Alloy, Gold Plated
 - * Female Nut: Zinc Alloy, Nickel Plated
 - * Nut: PBT+PC, Black
 - * O-Ring: Silicon,Grey
 - * Clamp Ring: Nylon,Black
 - * Seal: Silicon,Grey
 - * Sealing Nut: Nylon+GF,Black
 - * Nut Plate: Nylon+GF,Black
 - * Seal For Cable OD: $\varnothing 4.0\text{mm} \sim \varnothing 7.0\text{mm}$
 - * Screws for Wire connection recommended tightening torque: 0.61~0.84 kgf.cm / 0.059~0.082 N.m
 - * Applicable Wire gauge (Stranded wire cross section) 0.14mm² (26AWG) ~ 0.82mm² (18AWG)
 - * Mating Recommended tightening torque: 4~6 kgf.cm / 0.39~0.59 N.m
 - * Sealing-Nut Recommended tightening torque: 4~6 kgf.cm / 0.39~0.59 N.m
 - * Detailed applicable wire specifications may vary depending on the actual wire construction.

UNIT:mm		
TOLERANCE	.X ±0.25	
	.XX ±0.1	
	.XXX ±0.05	
ANGLES	±1°	

TITLE NMEA MICRO-C, FIELD INSTALLABLE 5PIN, R/A, F CONN F PIN, METAL			
SCALE 1:1	SIZE A4	SHEET 1 OF 1	
REV. B	WC-REV. A.2	CC : Inspection item	

Amphenol LTW
 安費諾亮泰企業股份有限公司

ITEM NO HMC-05BFFB-SR7001	DRAWN BY Frank Deng	DATE 2017-11-18
DWG NO HMC-05BFFB-SR7001	CHECKED BY Fisher Wang	DATE 2017-11-18
CUSTOMER ALTW	APPROVED BY Kevin Hu	DATE 2017-11-18

THIS DOCUMENT IS SUBJECT TO CHANGE WITHOUT NOTICE. IT IS CONFIDENTIAL AND A PROPERTY OF Amphenol LTW. DISCLOSURE TO THIRD PARTY HAS TO BE AUTHORIZED BY Amphenol LTW.

X-ON Electronics

Largest Supplier of Electrical and Electronic Components

Click to view similar products for [Standard Circular Connector](#) category:

Click to view products by [Amphenol](#) manufacturer:

Other Similar products are found below :

[5M2530B10P](#) [600259N006](#) [600273N007](#) [6134-336-13149](#) [6134-337-11149](#) [6134-337-2390](#) [6134-341-17149](#) [6280-4SG-516](#) [6280-7SG-3DC](#)
[6290](#) [6291A](#) [66200A-10](#) [680-SMG](#) [681-PMG](#) [CXS3102A14S2P](#) [CXS3102A181S](#) [7251-6SG-300](#) [7271-6SG-300](#) [7282-3PG-300-CH3](#) [75-](#)
[474014-05S](#) [75-474618-01S](#) [75-474618-04P](#) [75-474618-04S](#) [799539-000](#) [MI8-SE](#) [805-005-07NF11-19PC](#) [805-005-07NF15-7PA](#) [8280-4PG-](#)
[516](#) [8280-7PG-519](#) [8282-5PG-519](#) [836783-1](#) [MP-4102-25P-C](#) [862256-1](#) [864019-2](#) [866857-1](#) [867865-1](#) [PT01SP-14-18P](#) [PT08P-14-5S](#)
[PTSF06SE-14-12S](#) [120-1833-000](#) [QCM019PC2DC012B](#) [1-2069279-1](#) [121583-0217](#) [121667-0020](#) [129591AU](#) [1000B BULK](#) [RD10A16-19-](#)
[P6CS051/1](#) [RD10A20-31-P8CS051/1](#) [RD16A14-12-S6CS051/2](#) [1301240290](#) [1301240347](#)