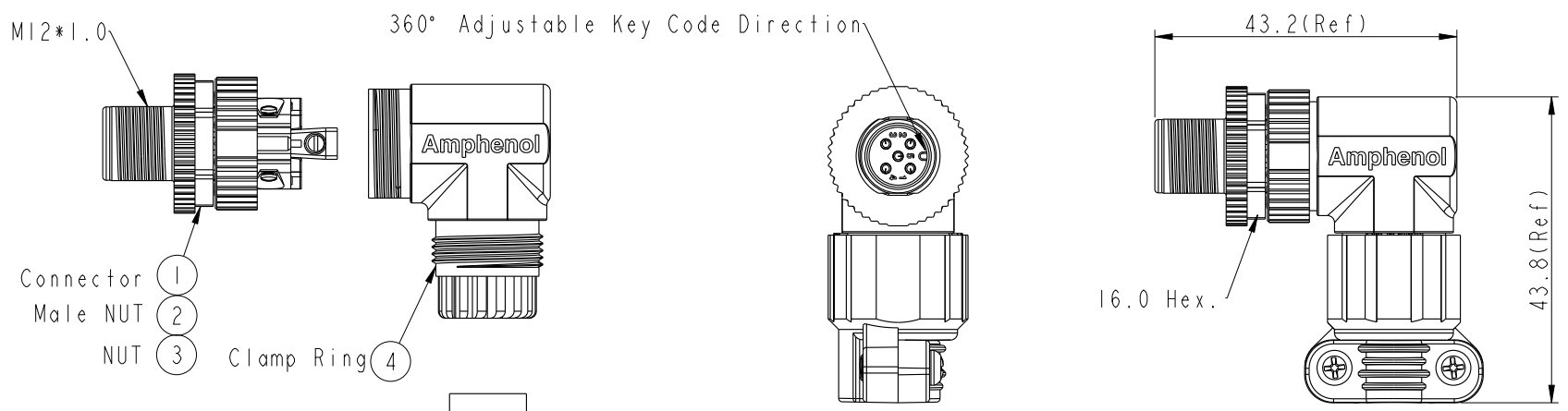
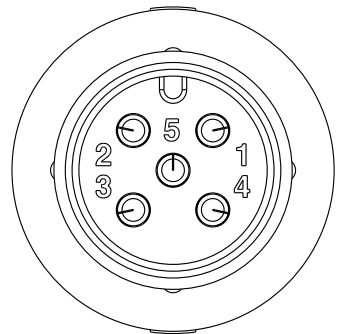


REV.	ECN NO.	DATE	SIGN	DESCRIPTION
A	Initial Release	2017-04-14	Frank Deng	Rev.01 To Rev.A
B	LE317B0196	2017-11-17	Frank Deng	Update Drawing

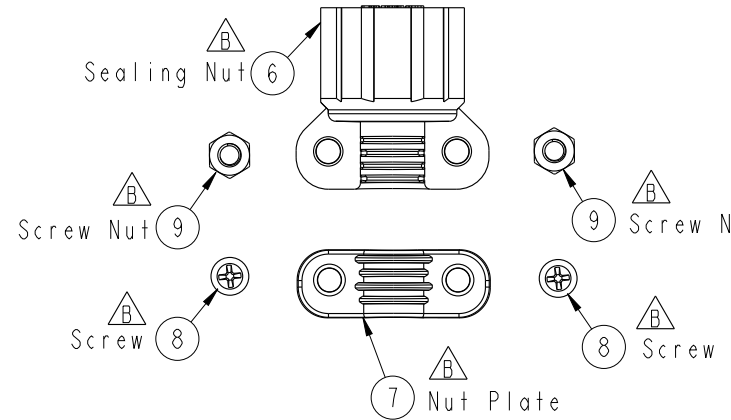


**ALTW**  
**CONFIDENTIAL**  
 2017-11-17  
**R&D DEPT.**

- Note:
- \* CC Important Dimension To Check.
  - \* Waterproof Rate: IP67(Mated)
  - \* Housing: Nylon,Black
  - \* Male Pin: Copper Alloy, Gold Plated
  - \* Male Nut: Zinc Alloy, Nickel Plated
  - \* Nut: PBT+PC, Black
  - \* O-Ring: Silicon,Grey
  - \* Clamp Ring: Nylon,Black
  - \* Sealing Nut: Nylon+GF,Black
  - \* Nut Plate: Nylon+GF,Black
  - \* Seal: Silicon,Grey
  - \* Seal For Cable OD:  $\varnothing 4.0\text{mm} \sim \varnothing 7.0\text{mm}$
  - \* Screws for Wire connection recommended tightening torque: 0.61~0.84 kgf.cm / 0.059~0.082 N.m
  - \* Applicable Wire gauge (Stranded wire cross section) 0.14mm<sup>2</sup> (26AWG) ~ 0.82mm<sup>2</sup> (18AWG)
  - \* Mating Recommended tightening torque: 4~6 kgf.cm / 0.39~0.59 N.m
  - \* Sealing-Nut Recommended tightening torque: 4~6 kgf.cm / 0.39~0.59 N.m
  - \* Detailed applicable wire specifications may vary depending on the actual wire construction.



Pin Assignments  
Front View



UNIT:mm	
TOLERANCE	
.X	±0.25
.XX	±0.1
.XXX	±0.05
ANGLES	±1°

TITLE NMEA MICRO-C, FIELD INSTALLABLE 5PIN, R/A, M CONN M PIN, METAL			
SCALE 1:1	SIZE A4	SHEET 1 OF 1	
REV. B	WC-REV. A.2	<span style="border: 1px solid black; border-radius: 50%; padding: 2px;">CC</span> : Inspection item	

**Amphenol LTW**  
 安費諾亮泰企業股份有限公司

ITEM NO HMC-05BMMB-SR7001	DRAWN BY Frank Deng	DATE 2017-11-17
DWG NO HMC-05BMMB-SR7001	CHECKED BY Fisher Wang	DATE 2017-11-17
CUSTOMER ALTW	APPROVED BY Kevin Hu	DATE 2017-11-17

THIS DOCUMENT IS SUBJECT TO CHANGE WITHOUT NOTICE. IT IS CONFIDENTIAL AND A PROPERTY OF Amphenol LTW. DISCLOSURE TO THIRD PARTY HAS TO BE AUTHORIZED BY Amphenol LTW.

## X-ON Electronics

Largest Supplier of Electrical and Electronic Components

*Click to view similar products for [Standard Circular Connector](#) category:*

*Click to view products by [Amphenol](#) manufacturer:*

Other Similar products are found below :

[5M2530B10P](#) [600259N006](#) [600273N007](#) [6134-336-13149](#) [6134-337-11149](#) [6134-337-2390](#) [6134-341-17149](#) [6280-4SG-516](#) [6280-7SG-3DC](#)  
[6290](#) [6291A](#) [66200A-10](#) [680-SMG](#) [681-PMG](#) [CXS3102A14S2P](#) [CXS3102A181S](#) [7251-6SG-300](#) [7271-6SG-300](#) [7282-3PG-300-CH3](#) [75-](#)  
[474014-05S](#) [75-474618-01S](#) [75-474618-04P](#) [75-474618-04S](#) [799539-000](#) [MI8-SE](#) [805-005-07NF11-19PC](#) [805-005-07NF15-7PA](#) [8280-4PG-](#)  
[516](#) [8280-7PG-519](#) [8282-5PG-519](#) [836783-1](#) [MP-4102-25P-C](#) [862256-1](#) [864019-2](#) [866857-1](#) [867865-1](#) [PT01SP-14-18P](#) [PT08P-14-5S](#)  
[PTSF06SE-14-12S](#) [120-1833-000](#) [QCM019PC2DC012B](#) [1-2069279-1](#) [121583-0217](#) [121667-0020](#) [129591AU](#) [1000B BULK](#) [RD10A16-19-](#)  
[P6CS051/1](#) [RD10A20-31-P8CS051/1](#) [RD16A14-12-S6CS051/2](#) [1301240290](#) [1301240347](#)