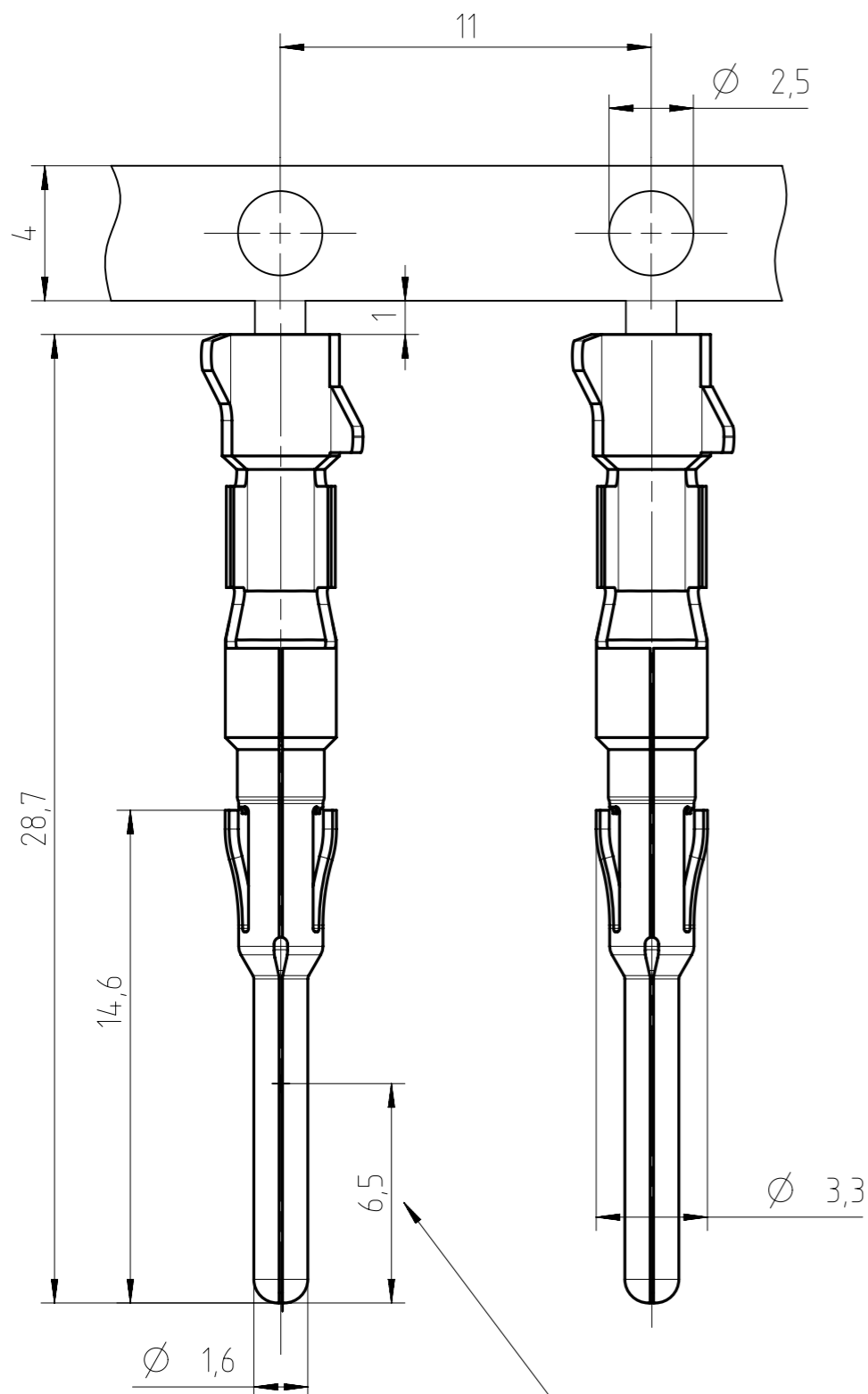


Copying of this document and giving it to others and the use or communication of the contents thereof, are forbidden without express authority. Offenders are liable to the payment of damages. All rights are reserved in the event of the grant of a patent or the registration of the utility model or design.



Kontktbereich
contact area

Alle technischen Daten wurden unter Laborbedingungen ermittelt und können im Praxisbetrieb abweichen.
Es handelt sich bei den Angaben weder um Beschaffenheits- noch um Haltbarkeitsgarantien.
All technical data have been measured in a laboratory environment and can be different during practical usage of the product. Any product information is for descriptive usage only and not legally binding; particularly the information does not constitute or provide any legal guarantees ("Beschaffenheitsgarantie" or "Haltbarkeitsgarantie").

N 01 016 0005 (2)	Cu/Ni0,5 Au0,5	1,5-2,5mm ² ; AWG 16-14
N 01 016 0005 (1)	Cu/Ni0,5 Ag2 pas	1,5-2,5mm ² ; AWG 16-14
Typ-Nr. / Type-No.	Oberfläche im Kontaktbereich / Plating in contact area	Anschlussquerschnitt / terminal cross-section

- 1) für Crimpmaschinen Kontaktzuführung rechts / links
for crimp machines contact feeding right / left hand side
- 2) für Crimpzangen
for hand crimp tools

HN01 016 0005 (X)	Band 2000 St. Rechtseinlauf ¹⁾	Reel 2000 pcs. infeed right ¹⁾
TN01 016 0005 (X)	Band 2000 St. Linkseinlauf ¹⁾	Reel 2000 pcs. infeed left ¹⁾
02 ZN01 016 0005 (X)	1,5-2,5mm ² : Band 100 St. ²⁾	1,5-2,5mm ² : Reel 100 pcs. ²⁾
VN01 016 0005 (X)	Einzelkontakt 100 St.	Single contact 100 pcs.
Bestell-Nr. /Part-No.	Verpackungsform	Packaging

Gewicht (errechnet) / Calc WT: g	Zul. Abw./Tolerances:	Maßstab / Scale: 5:1	A3	
Prüfmaß / Testdimension	DIN / ISO 13715	CUSTOMER DRAWING		
Teileindex / Partindexnumber	2014 Datum/Date Name			
	Gez. Drawn 22.05 M.Tol.	Stiftkontakt pin contact		
	Gep. Checked			
	Amphenol-Tuchel Electronics GmbH	M	XN01 016 0005 (X) U	Blatt/Sheet 1
02 Index	2014-00333 Änderung/Description	22.05.14 Datum/Date	Tol. Name	1 Bl.
			Ers. f. / Replacement for: M-XN01 106 0005 (X) U Rev.01	

X-ON Electronics

Largest Supplier of Electrical and Electronic Components

Click to view similar products for [Circular DIN Connectors](#) category:

Click to view products by [Amphenol](#) manufacturer:

Other Similar products are found below :

[60KD4M](#) [M83723/76W22326](#) [M83723/78R22327](#) [D38999/24WJ29PA](#) [D38999/26FE99SN L/C](#) [75-474014-07L](#) [88-559975-75P](#)
[8R3006A18M0033](#) [PT02E1283P](#) [PT05A-14-5SX](#) [PT05A1832SW](#) [PT05E2255PW](#) [PT05SE1832SWLC](#) [PT05SE1832SYLC](#)
[GTC030-20-27PW-LC](#) [GTC030A-20-33S](#) [PT06SE1811SXLC](#) [1211290078](#) [1211810025](#) [1210120122](#) [ACC06AF-20-23P\(003\)](#) [1210503216](#)
[1211290084](#) [1211500027](#) [ACS06AF-16-10P\(003\)](#) [D38999/40FB35AN](#) [D38999/40FB35BB](#) [D38999/40WB35BN](#) [D38999/40WD35PN](#)
[D38999/40WJ29SN-L/C](#) [D38999/40WJ4BN](#) [D38999/42FB35BN](#) [D38999/42WB35AB](#) [D38999/42WB35PB-L/C](#) [D38999/42WJ19AN](#)
[D38999/42WJ24PN-L/C](#) [D38999/44WB35AN](#) [D38999/44WH21AN](#) [D38999/44WH35AN](#) [D38999/44WJ29BA](#) [D38999/44WJ35PN](#)
[D38999/44WJ61BA](#) [D38999/46FB35AC](#) [D38999/46FB35SA-L/C](#) [D38999/46FB99BA](#) [D38999/46FJ19SA-L/C](#) [D38999/46FJ29AA](#)
[D38999/46FJ29AN](#) [D38999/46FJ29PN-L/C](#) [D38999/46FJ61BA](#)