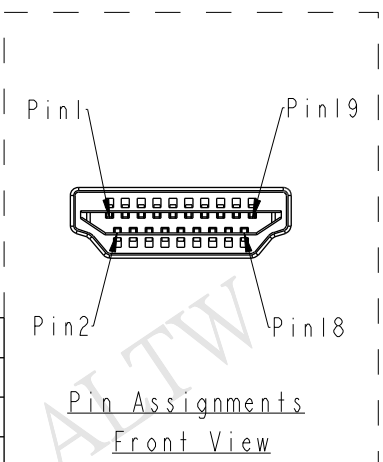
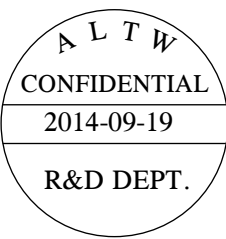
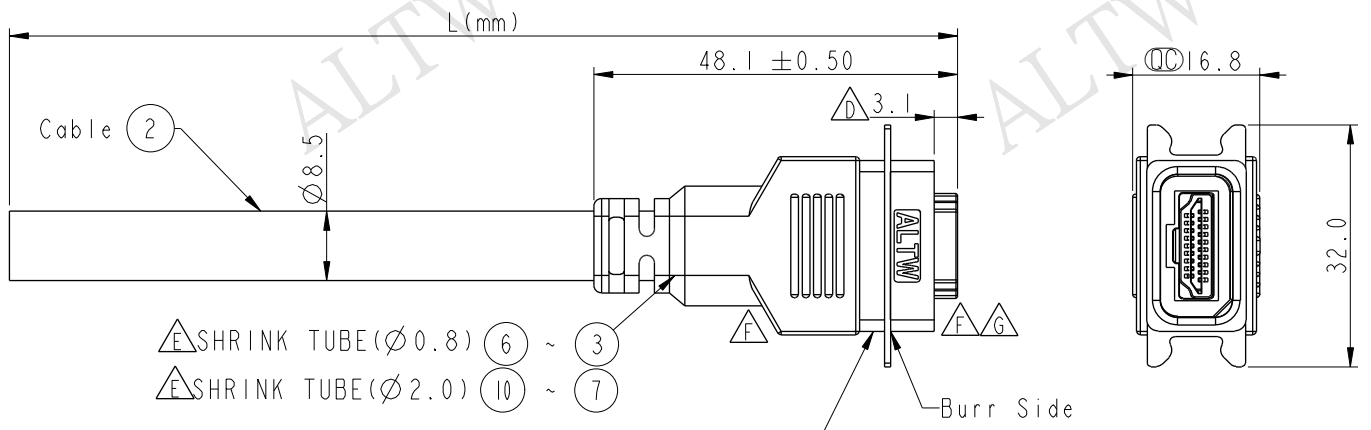


THIS DOCUMENT IS SUBJECT TO CHANGE WITHOUT NOTICE. IT IS CONFIDENTIAL AND A PROPERTY OF Amphenol LTW. DISCLOSURE TO THIRD PARTY HAS TO BE AUTHORIZED BY Amphenol LTW.

| REV. | ECN NO. | DATE | SIGN | DESCRIPTION |
|------|----------------|------------|--------|--------------------|
| E | LE31350198~201 | 2013/05/24 | Yulong | Add the Ball Mark |
| F | LENI380078~81 | 2013/07/27 | Yulong | Update the Drawing |
| G | LENI490390~393 | 2014/09/09 | Sam | Change Logo |



Note:
 * (C) Important Dimension.
 * Waterproof Rate: IP67
 * Plug: HDMI 19Pins Male
 * Cable: (26#*1P+D+AL+MYLAR)*4+26#*1P+26#*5C +AL+B UL20276, Black, OD=8.5mm.
 * Cable Length Tolerance: 01M:±40mm
 02M~05M:±60mm

| Shell | Braid | 纏繞 | |
|-------|--------|----|---|
| 19 | Pink | 粉紅 | 3 |
| 18 | Purple | 紫 | 3 |
| 17 | Red | 紅 | 3 |
| 16 | Orange | 橘 | 2 |
| 15 | Yellow | 黃 | 2 |
| 14 | Gray | 灰 | 3 |
| 13 | White | 白 | 3 |
| 12 | White | 白 | 1 |
| 11 | Drain | 地線 | 1 |
| 10 | Blue | 藍 | 1 |
| 9 | White | 白 | 1 |
| 8 | Drain | 地線 | 1 |
| 7 | Green | 綠 | 1 |
| 6 | White | 白 | 1 |
| 5 | Drain | 地線 | 1 |
| 4 | Red | 紅 | 1 |
| 3 | White | 白 | 1 |
| 2 | Drain | 地線 | 1 |
| 1 | Brown | 棕 | 1 |

| Conn. | Wire Color | Wire Type | Type 1 | IP+D+AL |
|-------|------------|-----------|--------|---------|
| | Pin Out | Wire Type | Type 3 | IC |
| | | | Type 2 | IP |

| | | | |
|-------------------|--|--|----------------|
| UNIT:mm | | TITLE HDMI Cable Latch 19 M Conn M Pin | |
| TOLERANCE ±0.5 | | SCALE 1:1 | SIZE A4 |
| | | REV. G | WC-REV. B.2 |
| | | SHEET 1 OF 1 | |
| | | ((C)): Inspection item | |

Amphenol LTW
 安費諾亮泰企業股份有限公司

| | | |
|----------------------------|---------------------|--------------------|
| ITEM NO | DRAWN BY Sam | DATE 2014-09-19 |
| DWG NO HP-19AMMM-QL7AXX | CHECKED BY Vicky | DATE 2014-09-19 |
| CUSTOMER ALTW | APPROVED BY Rita | DATE 2014-09-19 |

X-ON Electronics

Largest Supplier of Electrical and Electronic Components

Click to view similar products for [Amphenol](#) manufacturer:

Other Similar products are found below :

[PT01SE-16-8P\(027\)](#) [PT01SE-16-8P\(476\)](#) [CTV06RW-11-2JB-LC](#) [97-3108A-22-14P](#) [10-474017-10P](#) [MS27473P14B18S](#) [TV06RW-25-90AE](#)
[CTVS06RF-25-46PB-LC](#) [PT02E10-2PW](#) [PT02E10-2PX](#) [97-3106A18-3PX-958](#) [97-3106A18-3PY-958](#) [PT06J20-24SW](#) [TV06RL-13-35AD](#)
[TV06RL-13-98BD](#) [TV06RW-25-46AE](#) [TV06RL-13-35SD-LC](#) [TV06RL-13-35SD](#) [TV06RL-13-98SD-LC](#) [TV06RL-13-98SD](#) [TVP00RW-23-](#)
[53AD](#) [PT02E10-2PW-025](#) [100-007-213-002-001](#) [2M805-002-16NF23-12PA](#) [97-3108B16S-5PW-417](#) [97-3108B16S-5PY-417](#) [CS-](#)
[DSDMDB37MF-025](#) [97-3108B16S-5PZ-417](#) [GTC02R32-17S-025-RDS](#) [PT06SE2041P](#) [CF-5A9013-04N](#) [CF-6A4615-06N](#) [GTC02R32-17S-](#)
[025-RDS-LC](#) [GTC02R32-17S-025-LC](#) [PT06SE-24-61P\(LC\)](#) [SP28W1F](#) [TV07DT-25-37P](#) [TV07DT-25-37JN-LC](#) [TV07DT-25-37S](#) [TV07DT-](#)
[25-37S-LC](#) [TV07DT-25-46P-LC](#) [97-3101A20-21P-958](#) [TV07DT-25-90P-LC](#) [TV07DT-25-46A](#) [TV07DT-25-37P-LC](#) [GTS08-36-22PZ-025-](#)
[B30](#) [PT00SP2241P](#) [CTVPS00RF-15-15AC](#) [LJT06RT-15-35PB\(023\)](#) [TVS07RF-15-15AB](#)