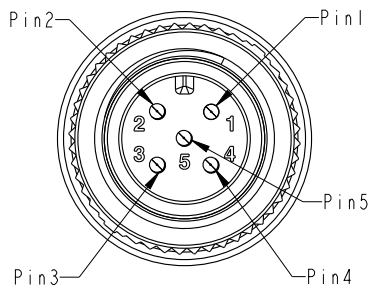
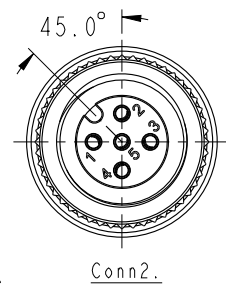
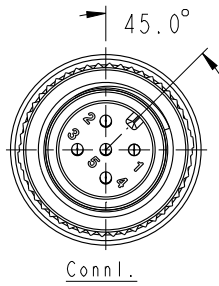
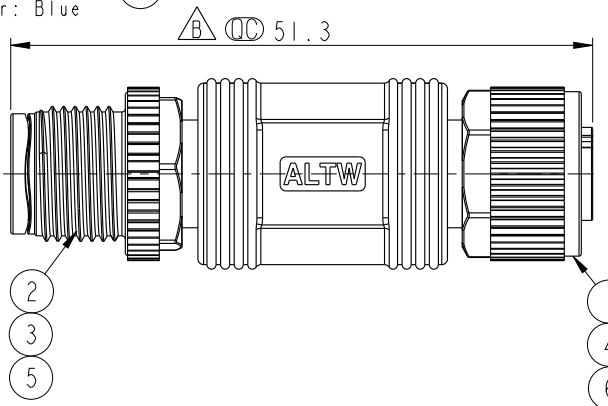
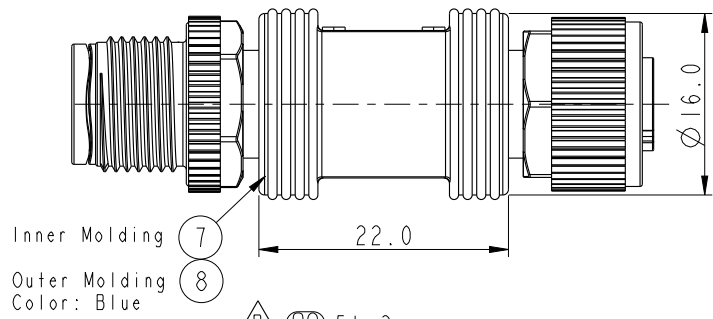
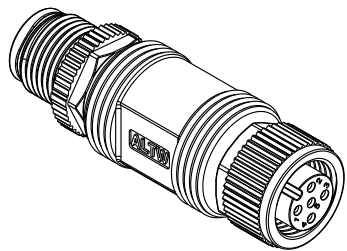
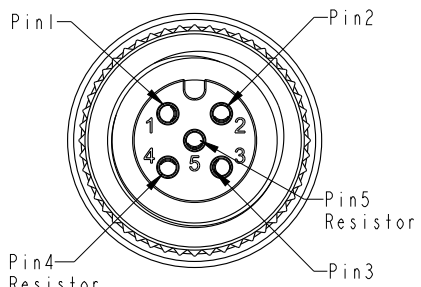


REV.	ECN NO.	DATE	SIGN	DESCRIPTION
A	Initial Release	2017-04-11	Frank Deng	Rev.01 To Rev.A
B	LE31760225	2017-05-27	Frank Deng	Change Part

ALTW
CONFIDENTIAL
 2017-06-10
R&D DEPT.



Pin Assignments
 Front View
 Conn1.



Pin Assignments
 Front View
 Conn2.

Blue 藍 (22AWG)	5	5	} Resistor
White 白 (22AWG)	4	4	
Black 黑 (22AWG)	3	3	
Red 紅 (22AWG)	2	2	
Green 綠 (22AWG)	1	1	
Wire Color	Conn.1	Conn.2	

Pin Out

Note:
 * (C) Important Dimension.
 * Waterproof Rate: IP68
 * Connector: Black, PU
 * Pins: Copper Alloy, Gold Plated
 * Screw Nut: Nylon + G/F, Black.
 * Resistor: 1/4W, 120ohm±5% Resistance, Molded Inside The Connector.
 * Wire Harness: UL1007/TR64 22AWG, OD=0.76mm

UNIT: mm

TOLERANCE ±0.5 mm

TITLE NMEA2000 MICRO-C INLINE RESISTOR			
SCALE 3:2	SIZE A4	SHEET 1 OF 1	
REV. B	WC-REV. A.3	(C) Inspection item	

Amphenol LTW
 安費諾亮泰企業股份有限公司

ITEM NO. HPC-000505-0MF-IS001	DRAWN BY Frank Deng	DATE 2017-05-27
DWG NO. HPC-000505-0MF-IS001	CHECKED BY Fisher Wang	DATE 2017-05-27
CUSTOMER ALTW	APPROVED BY Kevin Hu	DATE 2017-05-27

THIS DOCUMENT IS SUBJECT TO CHANGE WITHOUT NOTICE. IT IS CONFIDENTIAL AND A PROPERTY OF Amphenol LTW. DISCLOSURE TO THIRD PARTY HAS TO BE AUTHORIZED BY Amphenol LTW.

X-ON Electronics

Largest Supplier of Electrical and Electronic Components

Click to view similar products for [Standard Circular Connector](#) category:

Click to view products by [Amphenol](#) manufacturer:

Other Similar products are found below :

[5M2530B10P](#) [600259N006](#) [600273N007](#) [6134-336-13149](#) [6134-337-11149](#) [6134-337-2390](#) [6134-341-17149](#) [6280-4SG-516](#) [6280-7SG-3DC](#)
[6290](#) [6291A](#) [66200A-10](#) [680-SMG](#) [681-PMG](#) [CXS3102A14S2P](#) [CXS3102A181S](#) [7251-6SG-300](#) [7271-6SG-300](#) [7282-3PG-300-CH3](#) [75-](#)
[474014-05S](#) [75-474618-01S](#) [75-474618-04P](#) [75-474618-04S](#) [799539-000](#) [MI8-SE](#) [805-005-07NF11-19PC](#) [805-005-07NF15-7PA](#) [8280-4PG-](#)
[516](#) [8280-7PG-519](#) [8282-5PG-519](#) [836783-1](#) [MP-4102-25P-C](#) [862256-1](#) [864019-2](#) [866857-1](#) [867865-1](#) [PT01SP-14-18P](#) [PT08P-14-5S](#)
[PTSF06SE-14-12S](#) [120-1833-000](#) [QCM019PC2DC012B](#) [1-2069279-1](#) [121583-0217](#) [121667-0020](#) [129591AU](#) [1000B BULK](#) [RD10A16-19-](#)
[P6CS051/1](#) [RD10A20-31-P8CS051/1](#) [RD16A14-12-S6CS051/2](#) [1301240290](#) [1301240347](#)