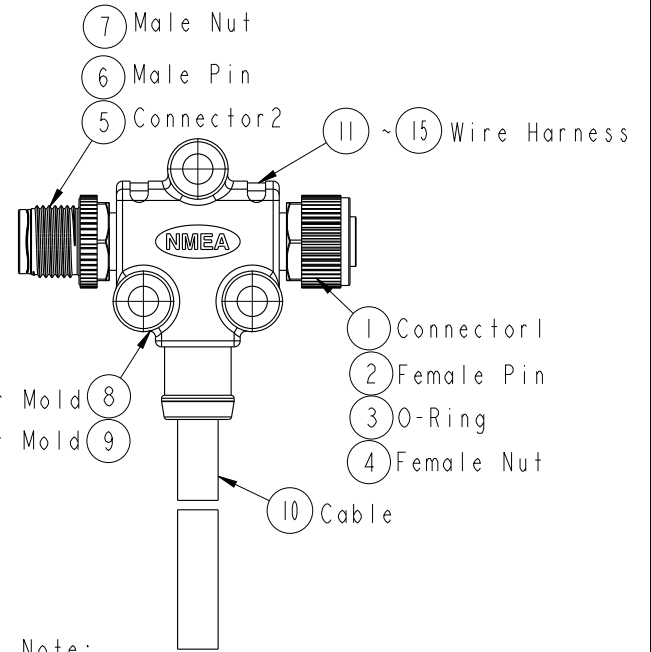
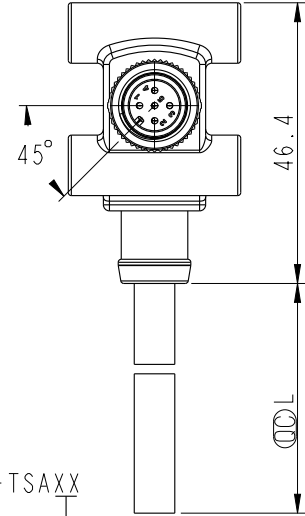
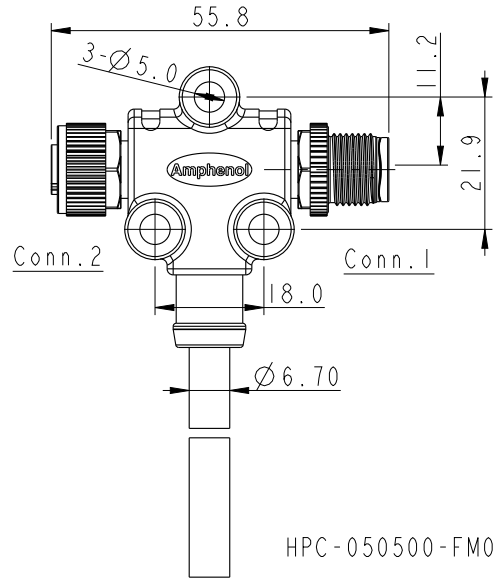
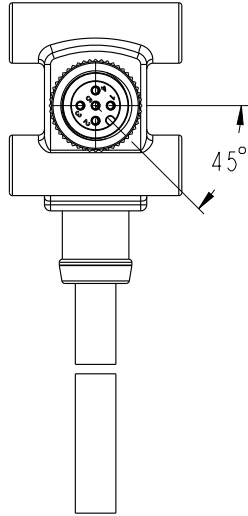
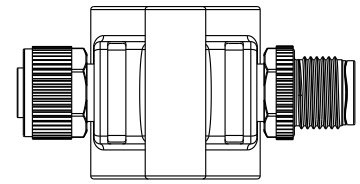


THIS DOCUMENT IS SUBJECT TO CHANGE WITHOUT NOTICE. IT IS CONFIDENTIAL AND A PROPERTY OF Amphenol LTW. DISCLOSURE TO THIRD PARTY HAS TO BE AUTHORIZED BY Amphenol LTW.

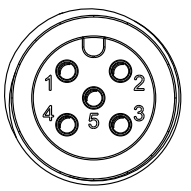
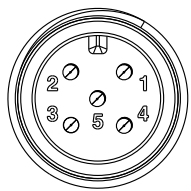
ALTW
CONFIDENTIAL
 2017-08-09
R&D DEPT.

REV.	ECN NO.	DATE	SIGN	DESCRIPTION
B	LEN1780901~902	2017-08-09	Frank Deng	Add Package



XX: 01~99Meters
 01: 01Meter
 02: 02Meters
 ..
 99: 99Meters
 Cable Length(L): 01~99Meters

Note:
 * \varnothing Important Dimension To Check.
 * Waterproof Rate: IP68
 In 1 meter water within 24 hours
 * Connector: PU, Black
 * Nut: PA66, Black
 * Pin: Copper Alloy, Gold Plated 30u"
 * Wire Harness: UL1061, 22AWG
 * Cable: CL2, (24#*1P+A/M)+(22#*1P+A/M)+
 D+B, PVC UV Cable, OD=6.7mm, Black
 * Cable Length Tolerance: 01M:±40mm
 02M~05M:±60mm
 06M~10M:±100mm
 11M~30M:±200mm
 31M~99M:±500mm



Conn.1
 Pin Assignments
 Front View

Conn.2
 Pin Assignments
 Front View

5	Blue 藍	5	Blue 藍 24#	Twist
4	White 白	4	White 白 24#	
3	Black 黑	3	Black 黑 22#	Twist
2	Red 紅	2	Red 紅 22#	
1	Green 綠	1	Drain 22#	
Conn.1	Wire Color	Conn.2	Cable	

UNIT:mm
 TOLERANCE ±0.50mm

TITLE NMEA2000 Micro-C T Cable			
SCALE 1:2	SIZE A4	SHEET 1 OF 2	
REV. B	WC-REV. A.1	☉: Inspection item	

Amphenol LTW
 安費諾亮泰企業股份有限公司

ITEM NO	DRAWN BY Frank Deng	DATE 2017-08-09
DWG NO HPC-050500-FM0-TSAXX	CHECKED BY Fisher Wang	DATE 2017-08-09
CUSTOMER ALTW	APPROVED BY Kevin Hu	DATE 2017-08-09

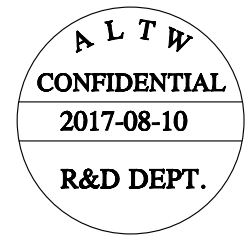
THIS DOCUMENT IS SUBJECT TO CHANGE WITHOUT NOTICE. IT IS CONFIDENTIAL AND A PROPERTY OF Amphenol LTW. DISCLOSURE TO THIRD PARTY HAS TO BE AUTHORIZED BY Amphenol LTW.

1 2 3 4 5 6 7 8

F
E
D
C
B
A



PN	Dimension Of Roll
HPC-050500-FM0-TSA02	
HPC-050500-FM0-TSA05	
HPC-050500-FM0-TSA10	



UNIT:mm		
---------	--	--

TITLE NMEA2000 Micro-C T Cable		
SCALE 1:2	SIZE A4	SHEET 2 OF 2
REV. B	WC-REV. A.1	☉: Inspection item

Amphenol LTW
安費諾亮泰企業股份有限公司

ITEM NO	DRAWN BY Frank Deng	DATE 2017-08-09
DWG NO HPC-050500-FM0-TSAXX	CHECKED BY Fisher Wang	DATE 2017-08-09
CUSTOMER ALTW	APPROVED BY Kevin Hu	DATE 2017-08-09

1 2 3 4 5 6 7 8 FMW10702-01-02A1

X-ON Electronics

Largest Supplier of Electrical and Electronic Components

Click to view similar products for [Sensor Cables / Actuator Cables](#) category:

Click to view products by [Amphenol](#) manufacturer:

Other Similar products are found below :

[60963](#) [60964](#) [703000D02F2002](#) [703001D02F0602](#) [703001D02F300](#) [704000D02F120](#) [773032K02F030](#) [802027107404-1](#) [802027213811-1](#)
[804001A09M150](#) [805001A09M0502](#) [84914-0235](#) [84914-0237](#) [885030A09M020](#) [8R4J30E03C3003](#) [1200651332](#) [1200651713](#) [1200660844](#)
[1200660845](#) [1200661173](#) [1200680071](#) [1200720053](#) [1200720081](#) [1200720099](#) [1200720217](#) [1200800231](#) [1200860125](#) [1200870123](#)
[1200980102](#) [1200650267](#) [1200650298](#) [1200660183](#) [1200660782](#) [1200660849](#) [1200661295](#) [1200661297](#) [1200661342](#) [1200661343](#)
[1200670080](#) [1200670220](#) [1200680331](#) [1200720252](#) [1200730184](#) [1200860344](#) [1200870359](#) [1200870643](#) [1200980008](#) [1200980031](#)
[1210502211](#) [1210400542](#)