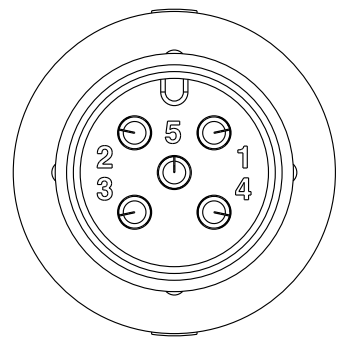
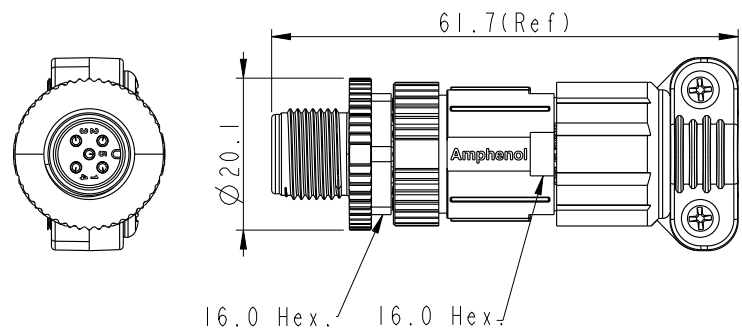
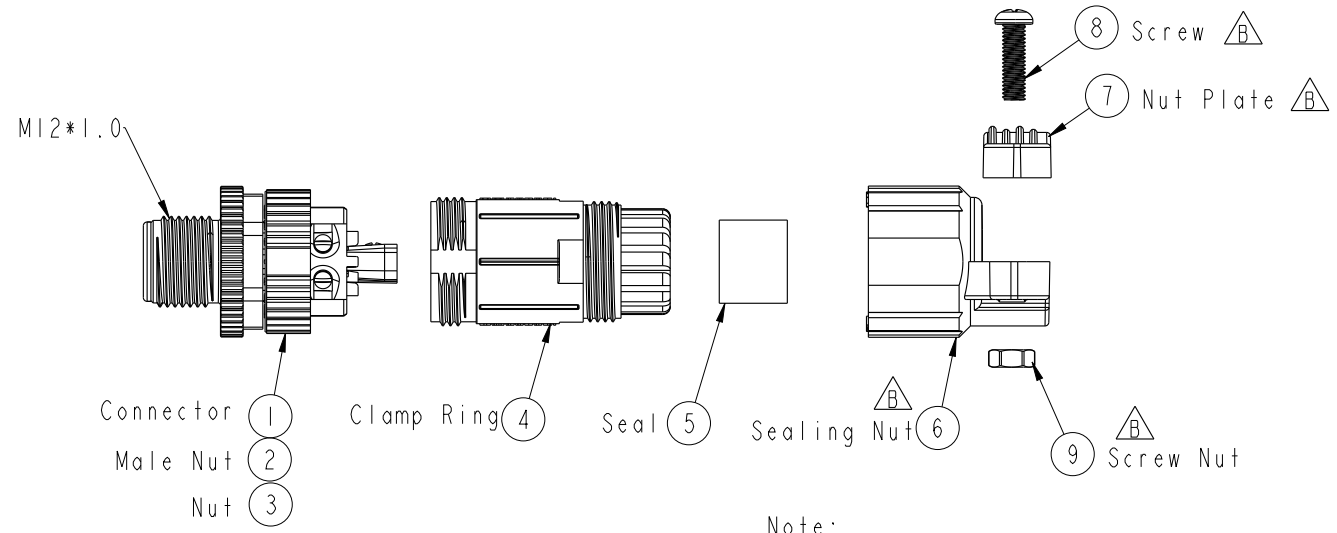


REV.	ECN NO.	DATE	SIGN	DESCRIPTION
A	Initial Release	2017-04-13	Frank Deng	Rev.01 To Rev.A
B	LE317B0192	2017-11-14	Frank Deng	Update Drawing

ALTW
CONFIDENTIAL
2017-11-14
R&D DEPT.



Pin Assignments
Front View

Note:

- * Ⓞ Important Dimension To Check.
- * Waterproof Rate: IP67
- * Housing: Nylon, Black
- * Male Pin: Copper Alloy, Gold Plated
- * Male Nut: PBT+PC, Black
- * Nut: PBT+PC, Black
- * O-Ring: Silicon, Grey.
- * Clamp Ring: Nylon, Black
- * Seal: Silicon, Grey
- * Sealing Nut: Nylon+GF, Black
- * Nut Plate: Nylon+GF, Black
- * Seal For Cable OD: $\text{Ø}4.0\text{mm} \sim \text{Ø}8.0\text{mm}$
- * Screws for Wire connection recommended tightening torque: 0.61~0.84 kgf.cm / 0.059~0.082 N.m
- * Applicable Wire gauge (Stranded wire cross section) 0.14mm² (26AWG) ~ 0.82mm² (18AWG)
- * Mating Recommended tightening torque: 4~6 kgf.cm / 0.39~0.59 N.m
- * Sealing-Nut Recommended tightening torque: 4~6 kgf.cm / 0.39~0.59 N.m
- * Detailed applicable wire specifications may vary depending on the actual wire construction.

UNIT:mm		TITLE NMEA MICRO-C, FIELD INSTALLABLE 5PIN, S/T, M CONN M PIN, PLASTIC			ITEM NO HPC-05BMMB-SL7001	DRAWN BY Frank Deng	DATE 2017-11-14
		SCALE 1:1	SIZE A4	SHEET 1 OF 1			
TOLERANCE .X ±0.25 .XX ±0.1 .XXX ±0.05 ANGLES ±1°		REV. B	WC-REV. A.2	Ⓞ : Inspection item	CUSTOMER ALTW	APPROVED BY Kevin Hu	DATE 2017-11-14

Amphenol LTW
安費諾亮泰企業股份有限公司

THIS DOCUMENT IS SUBJECT TO CHANGE WITHOUT NOTICE. IT IS CONFIDENTIAL AND A PROPERTY OF Amphenol LTW. DISCLOSURE TO THIRD PARTY HAS TO BE AUTHORIZED BY Amphenol LTW.

X-ON Electronics

Largest Supplier of Electrical and Electronic Components

Click to view similar products for [Standard Circular Connector](#) category:

Click to view products by [Amphenol](#) manufacturer:

Other Similar products are found below :

[5M2530B10P](#) [600259N006](#) [600273N007](#) [6134-336-13149](#) [6134-337-11149](#) [6134-337-2390](#) [6134-341-17149](#) [6280-4SG-516](#) [6280-7SG-3DC](#)
[6290](#) [6291A](#) [66200A-10](#) [680-SMG](#) [681-PMG](#) [CXS3102A14S2P](#) [CXS3102A181S](#) [7251-6SG-300](#) [7271-6SG-300](#) [7282-3PG-300-CH3](#) [75-](#)
[474014-05S](#) [75-474618-01S](#) [75-474618-04P](#) [75-474618-04S](#) [799539-000](#) [MI8-SE](#) [805-005-07NF11-19PC](#) [805-005-07NF15-7PA](#) [8280-4PG-](#)
[516](#) [8280-7PG-519](#) [8282-5PG-519](#) [836783-1](#) [MP-4102-25P-C](#) [862256-1](#) [864019-2](#) [866857-1](#) [867865-1](#) [PT01SP-14-18P](#) [PT08P-14-5S](#)
[PTSF06SE-14-12S](#) [120-1833-000](#) [QCM019PC2DC012B](#) [1-2069279-1](#) [121583-0217](#) [121667-0020](#) [129591AU](#) [1000B BULK](#) [RD10A16-19-](#)
[P6CS051/1](#) [RD10A20-31-P8CS051/1](#) [RD16A14-12-S6CS051/2](#) [1301240290](#) [1301240347](#)