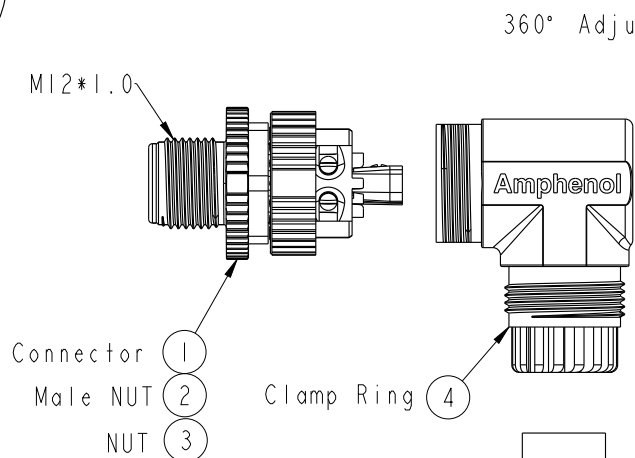
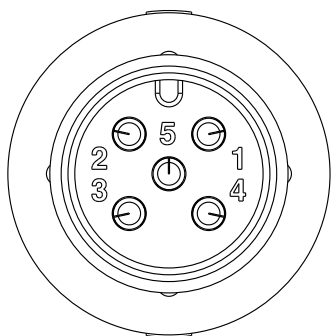
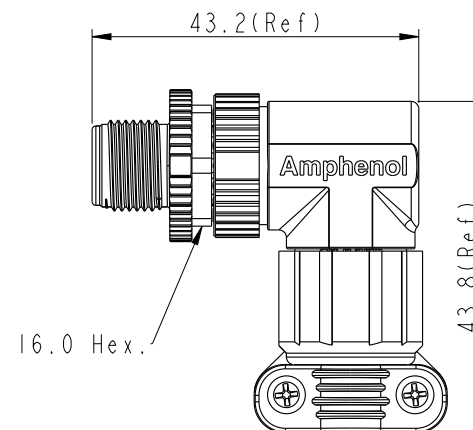
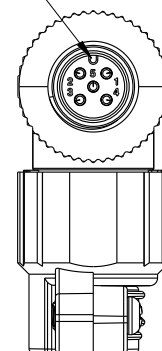


**ALTW**  
**CONFIDENTIAL**  
 2017-11-18  
**R&D DEPT.**

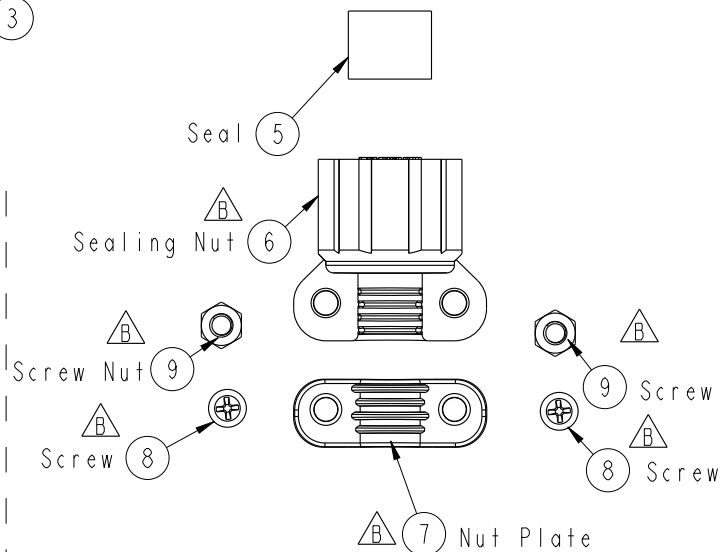
REV.	ECN NO.	DATE	SIGN	DESCRIPTION
A	Initial Release	2017-04-14	Frank Deng	Rev.01 To Rev.A
B	LE317B0195	2017-11-18	Frank Deng	Update Drawing



360° Adjustable Key Code Direction



Pin Assignments  
Front View



Note:

- \*  $\text{⌀}$  Important Dimension To Check.
- \* Waterproof Rate: IP67(Mated)
- \* Housing: Nylon,Black
- \* Male Pin: Copper Alloy, Gold Plated
- \* Male Nut: PBT+PC,Black
- \* Nut: PBT+PC,Black
- \* O-Ring:Silicon, Grey
- \* Clamp Ring: Nylon,Black
- \* Seal: Silicon, Grey
- \* Sealing Nut: Nylon+GF,Black
- \* Nut Plate: Nylon+GF,Black
- \* Seal For Cable OD:  $\text{⌀}4.0\text{mm} \sim \text{⌀}7.0\text{mm}$
- \* Screws for Wire connection recommended tightening torque: 0.61~0.84 kgf.cm / 0.059~0.082 N.m
- \* Applicable Wire gauge (Stranded wire cross section) 0.14mm<sup>2</sup> (26AWG) ~ 0.82mm<sup>2</sup> (18AWG)
- \* Mating Recommended tightening torque: 4~6 kgf.cm / 0.39~0.59 N.m
- \* Sealing-Nut Recommended tightening torque: 4~6 kgf.cm / 0.39~0.59 N.m
- \* Detailed applicable wire specifications may vary depending on the actual wire construction.

UNIT:mm		TITLE	<h1>Amphenol LTW</h1> 安費諾亮泰企業股份有限公司		ITEM NO	HPC-05BMMB-SR7001	DRAWN BY	Frank Deng	DATE	2017-11-18	
		NMEA MICRO-C, FIELD INSTALLABLE 5PIN, R/A, M CONN M PIN, PLASTIC			DWG NO	HPC-05BMMB-SR7001	CHECKED BY	Fisher Wang	DATE	2017-11-18	
TOLERANCE		SCALE	1:1	SIZE	A4	SHEET	1	OF	1		
.X	±0.25	REV.	B	WC-REV.	A.2	QC	Inspection item	APPROVED BY	Kevin Hu	DATE	2017-11-18
.XX	±0.1										
.XXX	±0.05										
ANGLES	±1°										

THIS DOCUMENT IS SUBJECT TO CHANGE WITHOUT NOTICE. IT IS CONFIDENTIAL AND A PROPERTY OF Amphenol LTW. DISCLOSURE TO THIRD PARTY HAS TO BE AUTHORIZED BY Amphenol LTW.

## X-ON Electronics

Largest Supplier of Electrical and Electronic Components

*Click to view similar products for [Standard Circular Connector](#) category:*

*Click to view products by [Amphenol](#) manufacturer:*

Other Similar products are found below :

[5M2530B10P](#) [600259N006](#) [600273N007](#) [6134-336-13149](#) [6134-337-11149](#) [6134-337-2390](#) [6134-341-17149](#) [6280-4SG-516](#) [6280-7SG-3DC](#)  
[6290](#) [6291A](#) [66200A-10](#) [680-SMG](#) [681-PMG](#) [CXS3102A14S2P](#) [CXS3102A181S](#) [7251-6SG-300](#) [7271-6SG-300](#) [7282-3PG-300-CH3](#) [75-](#)  
[474014-05S](#) [75-474618-01S](#) [75-474618-04P](#) [75-474618-04S](#) [799539-000](#) [MI8-SE](#) [805-005-07NF11-19PC](#) [805-005-07NF15-7PA](#) [8280-4PG-](#)  
[516](#) [8280-7PG-519](#) [8282-5PG-519](#) [836783-1](#) [MP-4102-25P-C](#) [862256-1](#) [864019-2](#) [866857-1](#) [867865-1](#) [PT01SP-14-18P](#) [PT08P-14-5S](#)  
[PTSF06SE-14-12S](#) [120-1833-000](#) [QCM019PC2DC012B](#) [1-2069279-1](#) [121583-0217](#) [121667-0020](#) [129591AU](#) [1000B BULK](#) [RD10A16-19-](#)  
[P6CS051/1](#) [RD10A20-31-P8CS051/1](#) [RD16A14-12-S6CS051/2](#) [1301240290](#) [1301240347](#)