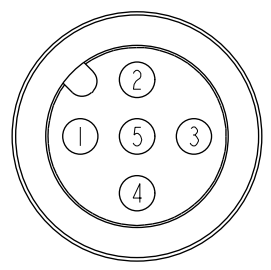
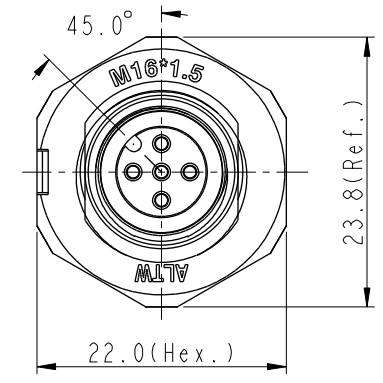
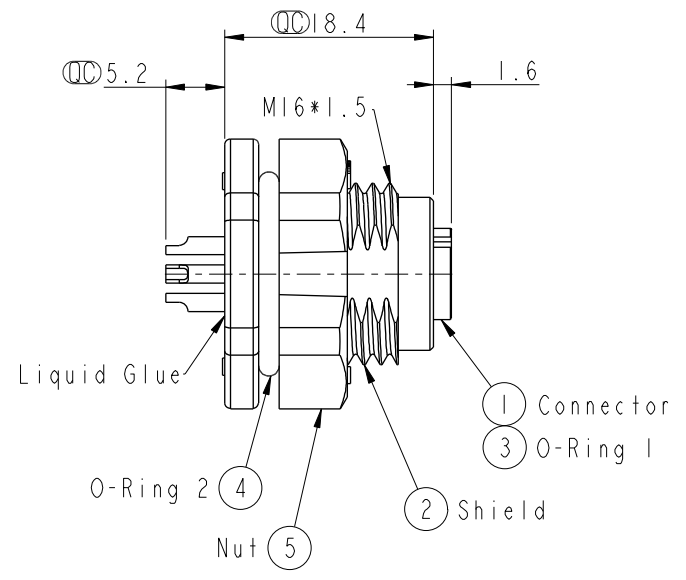
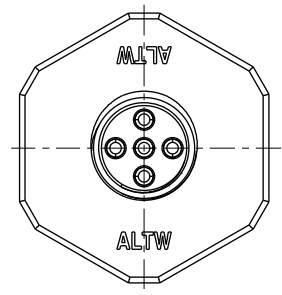
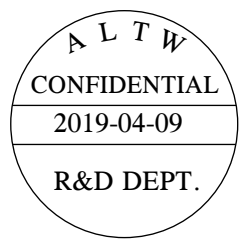
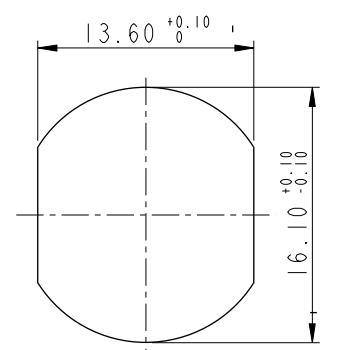


THIS DOCUMENT IS SUBJECT TO CHANGE WITHOUT NOTICE. IT IS CONFIDENTIAL AND A PROPERTY OF Amphenol LTW. DISCLOSURE TO THIRD PARTY HAS TO BE AUTHORIZED BY Amphenol LTW.

REV.	ECN NO.	DATE	SIGN	DESCRIPTION
A	Initial Release	2017/03/31	Frank Deng	Change Rev.01 To Rev.A
B	LEN1770185	2017/07/03	Frank Deng	Change Note
C	CI90517	2019/04/09	Vicky	Change Note



Pin Assignments  
Front View



Recommended  
Panel Cut-Out

- Note:**
- \*  $\text{CC}$  Important Dimension To Check
  - \* Waterproof Rate: IP68, Unmated. In 1 meter water within 24 hours
  - \* Connector: Thermoplastic, Black.
  - \* Pin: Copper Alloy, Gold Plated.
  - \* Shield: Thermoplastic, Black.
  - \* O-Ring 1: Rubber, Gray
  - \* O-Ring 2: Rubber, Gray
  - \* Nut: Thermoplastic, Black.
  - \* For Panel Thickness Max 4.9mm
  - \* Nut are packed separately in PE bags.

UNIT:mm TOLERANCE .X ±0.25 .XX ±0.1 .XXX ±0.05 ANGLES ±1°	TITLE NMEA2000, MICRO-C, PANEL, SOLDER 5PIN, M CONN M PIN, PLASTIC			<h1 style="text-align: center;">Amphenol LTW</h1> <h2 style="text-align: center;">安費諾亮泰企業股份有限公司</h2>		ITEM NO HPC-05PFFS-SF8001	DRAWN BY Vicky	DATE 2019-04-09
	SCALE 3:2	SIZE A4	SHEET 1 OF 1			DWG NO HPC-05PFFS-SF8001	CHECKED BY Rita	DATE 2019-04-09
	REV. C	WC-REV. A.2	$\text{CC}$ : Inspection item			CUSTOMER ALTW	APPROVED BY Max	DATE 2019-04-09
						W10814-03-01M01A2		

## X-ON Electronics

Largest Supplier of Electrical and Electronic Components

*Click to view similar products for [Standard Circular Connector](#) category:*

*Click to view products by [Amphenol](#) manufacturer:*

Other Similar products are found below :

[5M2530B10P](#) [600259N006](#) [600273N007](#) [6134-336-13149](#) [6134-337-11149](#) [6134-337-2390](#) [6134-341-17149](#) [6280-4SG-516](#) [6280-7SG-3DC](#)  
[6290](#) [6291A](#) [66200A-10](#) [680-SMG](#) [681-PMG](#) [CXS3102A14S2P](#) [CXS3102A181S](#) [7251-6SG-300](#) [7271-6SG-300](#) [7282-3PG-300-CH3](#) [75-](#)  
[474014-05S](#) [75-474618-01S](#) [75-474618-04P](#) [75-474618-04S](#) [799539-000](#) [MI8-SE](#) [805-005-07NF11-19PC](#) [805-005-07NF15-7PA](#) [8280-4PG-](#)  
[516](#) [8280-7PG-519](#) [8282-5PG-519](#) [836783-1](#) [MP-4102-25P-C](#) [862256-1](#) [864019-2](#) [866857-1](#) [867865-1](#) [PT01SP-14-18P](#) [PT08P-14-5S](#)  
[PTSF06SE-14-12S](#) [120-1833-000](#) [QCM019PC2DC012B](#) [1-2069279-1](#) [121583-0217](#) [121667-0020](#) [129591AU](#) [1000B BULK](#) [RD10A16-19-](#)  
[P6CS051/1](#) [RD10A20-31-P8CS051/1](#) [RD16A14-12-S6CS051/2](#) [1301240290](#) [1301240347](#)