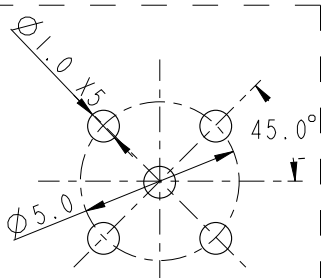
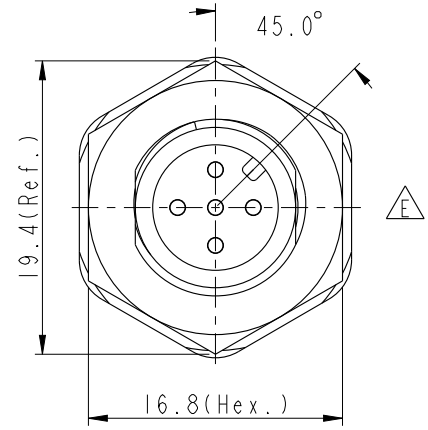
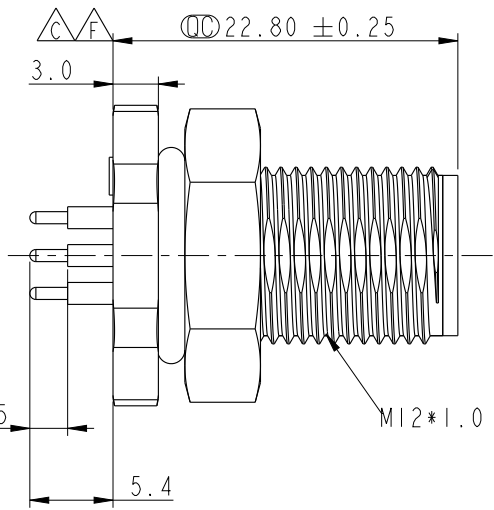
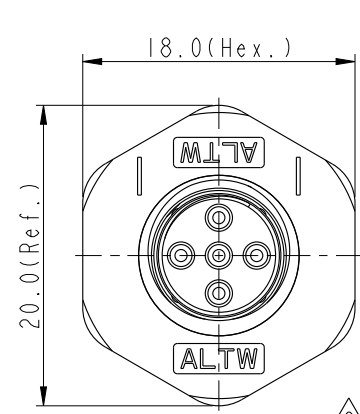


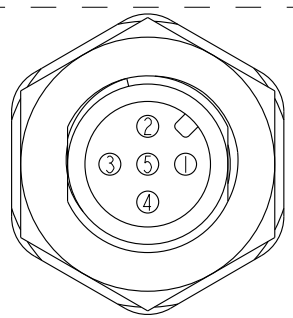
THIS DOCUMENT IS SUBJECT TO CHANGE WITHOUT NOTICE. IT IS CONFIDENTIAL AND A PROPERTY OF Amphenol LTW. DISCLOSURE TO THIRD PARTY HAS TO BE AUTHORIZED BY Amphenol LTW.

REV.	ECN NO.	DATE	SIGN	DESCRIPTION
D	CI90517	2019/04/10	Vicky	Change Note & Add QC Mark
E	CI90804	2019/05/22	Vicky	Update View
F	CI91441	2019-08-09	Fu	Modify Size

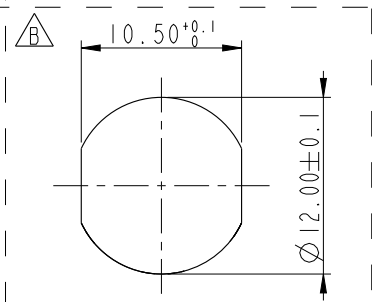
ALTW
CONFIDENTIAL
 2019-08-09
R&D DEPT.



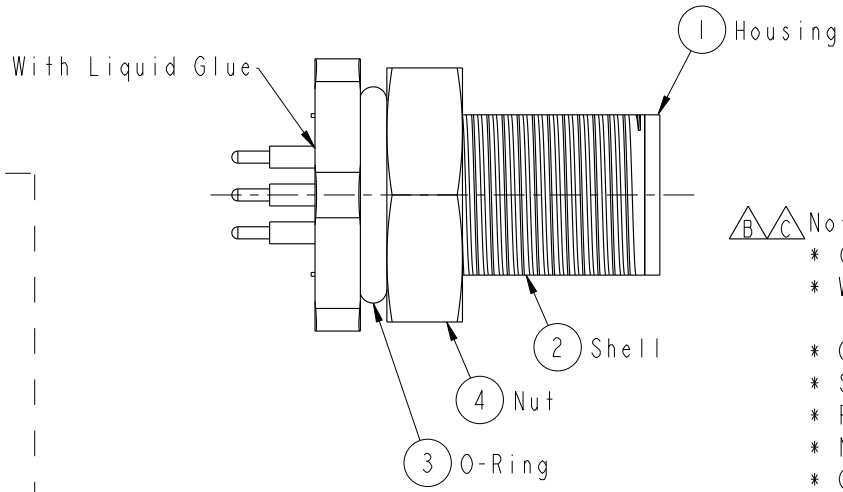
Recommended PCB Layout



Conn. Pin Assignments Front View



Recommended Panel Cut-Out



- Note:**
- * CC Important Dimension To Check.
 - * Waterproof Rate: IP68, Unmated.
 - * IP68: 1M Depth Of Water In 24hours.
 - * Connector: Thermoplastic, Black.
 - * Shell: Thermoplastic, Black.
 - * Pin: Copper Alloy, Gold Plated.
 - * Nut: Thermoplastic, Black.
 - * O-Ring: Rubber, Gray.
 - * For Panel Thickness Max. 4.9mm
 - * Nut are packed separately in PE bags.

UNIT: mm

TOLERANCE	
.X	±0.25
.XX	±0.1
.XXX	±0.05
ANGLES	±1°

TITLE NMEA2000 MICRO-C, 180° PANEL 5PIN MCONN MPIN, PLASTIC			
SCALE 2:1	SIZE A4	SHEET 1 OF 1	
REV. F	WC-REV. A.7	CC : Inspection item	

Amphenol LTW
 安費諾亮泰企業股份有限公司

ITEM NO. HPC-05PMMP-SF8001	DRAWN BY Fu	DATE 2019-08-09
DWG NO. HPC-05PMMP-SF8001	CHECKED BY Feng li	DATE 2019-08-09
CUSTOMER ALTW	APPROVED BY Jerry	DATE 2019-08-09

X-ON Electronics

Largest Supplier of Electrical and Electronic Components

Click to view similar products for [Standard Circular Connector](#) category:

Click to view products by [Amphenol](#) manufacturer:

Other Similar products are found below :

[5M2530B10P](#) [600259N006](#) [600273N007](#) [6134-336-13149](#) [6134-337-11149](#) [6134-337-2390](#) [6134-341-17149](#) [6280-4SG-516](#) [6280-7SG-3DC](#)
[6290](#) [6291A](#) [66200A-10](#) [680-SMG](#) [681-PMG](#) [CXS3102A14S2P](#) [CXS3102A181S](#) [7251-6SG-300](#) [7271-6SG-300](#) [7282-3PG-300-CH3](#) [75-](#)
[474014-05S](#) [75-474618-01S](#) [75-474618-04P](#) [75-474618-04S](#) [799539-000](#) [MI8-SE](#) [805-005-07NF11-19PC](#) [805-005-07NF15-7PA](#) [8280-4PG-](#)
[516](#) [8280-7PG-519](#) [8282-5PG-519](#) [836783-1](#) [MP-4102-25P-C](#) [862256-1](#) [864019-2](#) [866857-1](#) [867865-1](#) [PT01SP-14-18P](#) [PT08P-14-5S](#)
[PTSF06SE-14-12S](#) [120-1833-000](#) [QCM019PC2DC012B](#) [1-2069279-1](#) [121583-0217](#) [121667-0020](#) [129591AU](#) [1000B BULK](#) [RD10A16-19-](#)
[P6CS051/1](#) [RD10A20-31-P8CS051/1](#) [RD16A14-12-S6CS051/2](#) [1301240290](#) [1301240347](#)