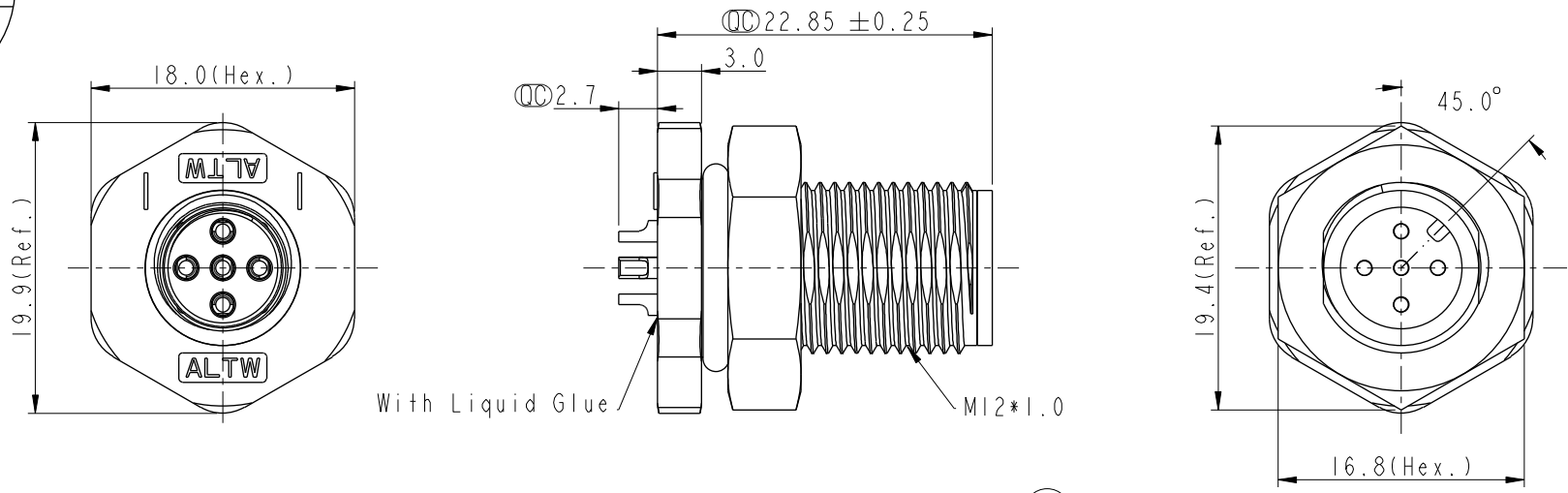
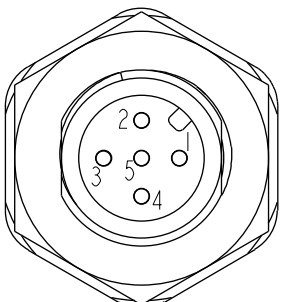


ALTW
CONFIDENTIAL
2019-04-10
R&D DEPT.

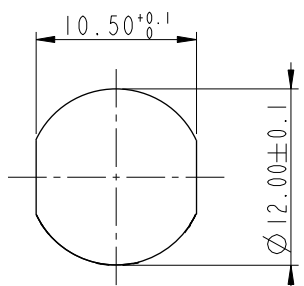
REV.	ECN NO.	DATE	SIGN	DESCRIPTION
A	Initial Release	2017/03/31	Frank Deng	Change Rev.01 To Rev.A
B	LE31770169	2017/07/03	Frank Deng	Change Note
C	CI90517	2019/04/10	Vicky	Change Note



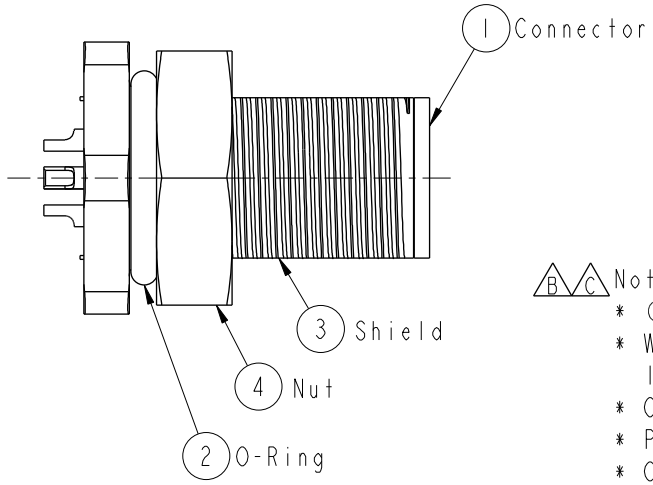
With Liquid Glue M12*1.0



Conn.
Pin Assignments
Front View



Recommended
Panel Cut-Out



- Note:**
- * CC Important Dimension To Check.
 - * Waterproof Rate: IP68, Unmated.
IP68: 1M Depth Of Water In 24hours.
 - * Connector: Thermoplastic, Black.
 - * Pin: Copper Alloy, Gold Plated.
 - * O-Ring: Rubber, Gray.
 - * Shield: Thermoplastic, Black.
 - * Nut: Thermoplastic, Black.
 - * For Panel Thickness Max. 4.9mm
 - * Nut are packed separately in PE bags.

UNIT: mm		
TOLERANCE	.X ± 0.25	
.XX	± 0.1	
.XXX	± 0.05	
ANGLES	± 1°	

TITLE NMEA2000 MICRO-C, PANEL, SOLDER 5PIN MCONN MPIN, PLASTIC			
SCALE	2:1	SIZE	A4
REV.	C	WC-REV.	A.6
		CC	Inspection item

Amphenol LTW
安費諾亮泰企業股份有限公司

ITEM NO. HPC-05PMMS-SF8001	DRAWN BY Vicky	DATE 2019-04-10
DWG NO. HPC-05PMMS-SF8001	CHECKED BY Rita	DATE 2019-04-10
CUSTOMER ALTW	APPROVED BY Max	DATE 2019-04-10

THIS DOCUMENT IS SUBJECT TO CHANGE WITHOUT NOTICE. IT IS CONFIDENTIAL AND A PROPERTY OF AMPHENOL LTW. DISCLOSURE TO THIRD PARTY HAS TO BE AUTHORIZED BY AMPHENOL LTW.

X-ON Electronics

Largest Supplier of Electrical and Electronic Components

Click to view similar products for [Standard Circular Connector](#) category:

Click to view products by [Amphenol](#) manufacturer:

Other Similar products are found below :

[5M2530B10P](#) [600259N006](#) [600273N007](#) [6134-336-13149](#) [6134-337-11149](#) [6134-337-2390](#) [6134-341-17149](#) [6280-4SG-516](#) [6280-7SG-3DC](#)
[6290](#) [6291A](#) [66200A-10](#) [680-SMG](#) [681-PMG](#) [CXS3102A14S2P](#) [CXS3102A181S](#) [7251-6SG-300](#) [7271-6SG-300](#) [7282-3PG-300-CH3](#) [75-](#)
[474014-05S](#) [75-474618-01S](#) [75-474618-04S](#) [799539-000](#) [MI8-SE](#) [805-005-07NF11-19PC](#) [805-005-07NF15-7PA](#) [8280-4PG-516](#) [8280-7PG-](#)
[519](#) [8282-5PG-519](#) [836783-1](#) [MP-4102-25P-C](#) [862256-1](#) [864019-2](#) [866857-1](#) [867865-1](#) [PT01SP-14-18P](#) [PT08P-14-5S](#) [PTSF06SE-14-12S](#)
[120-1833-000](#) [QCM019PC2DC012B](#) [1-2069279-1](#) [121583-0217](#) [121667-0020](#) [129591AU](#) [1000B BULK](#) [RD10A16-19-P6CS051/1](#)
[RD10A20-31-P8CS051/1](#) [RD16A14-12-S6CS051/2](#) [1301240290](#) [1301240347](#) [1301860202](#)