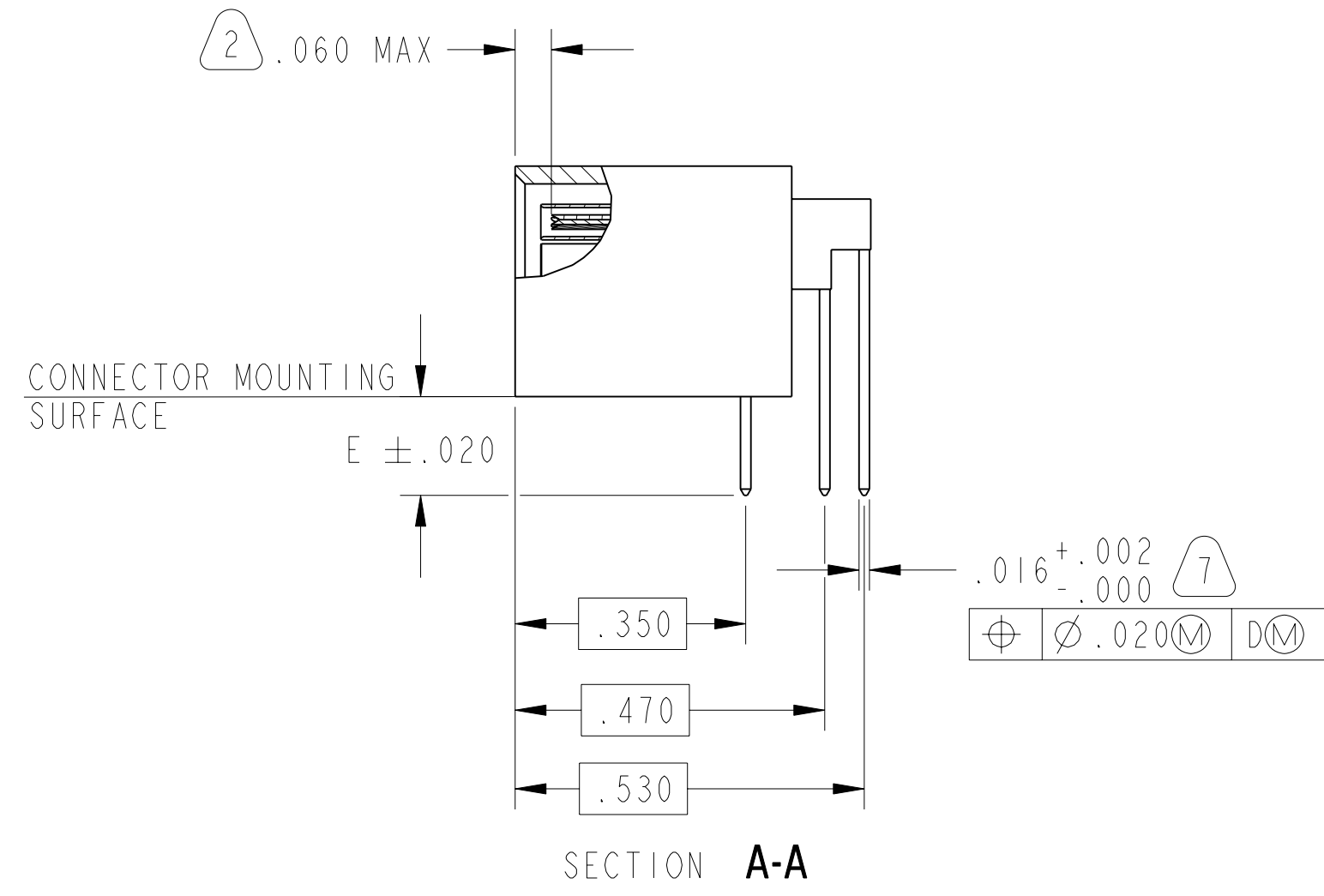
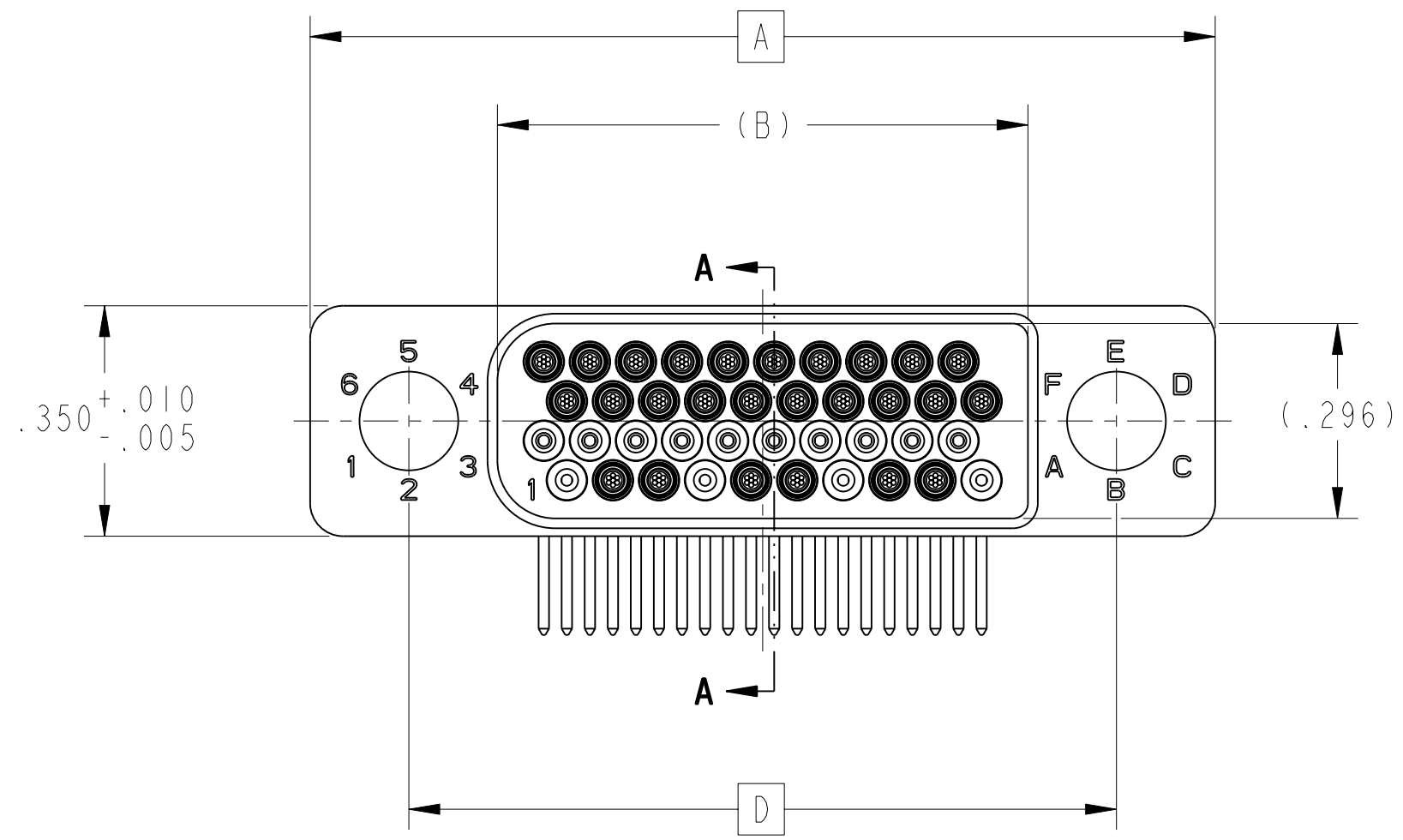
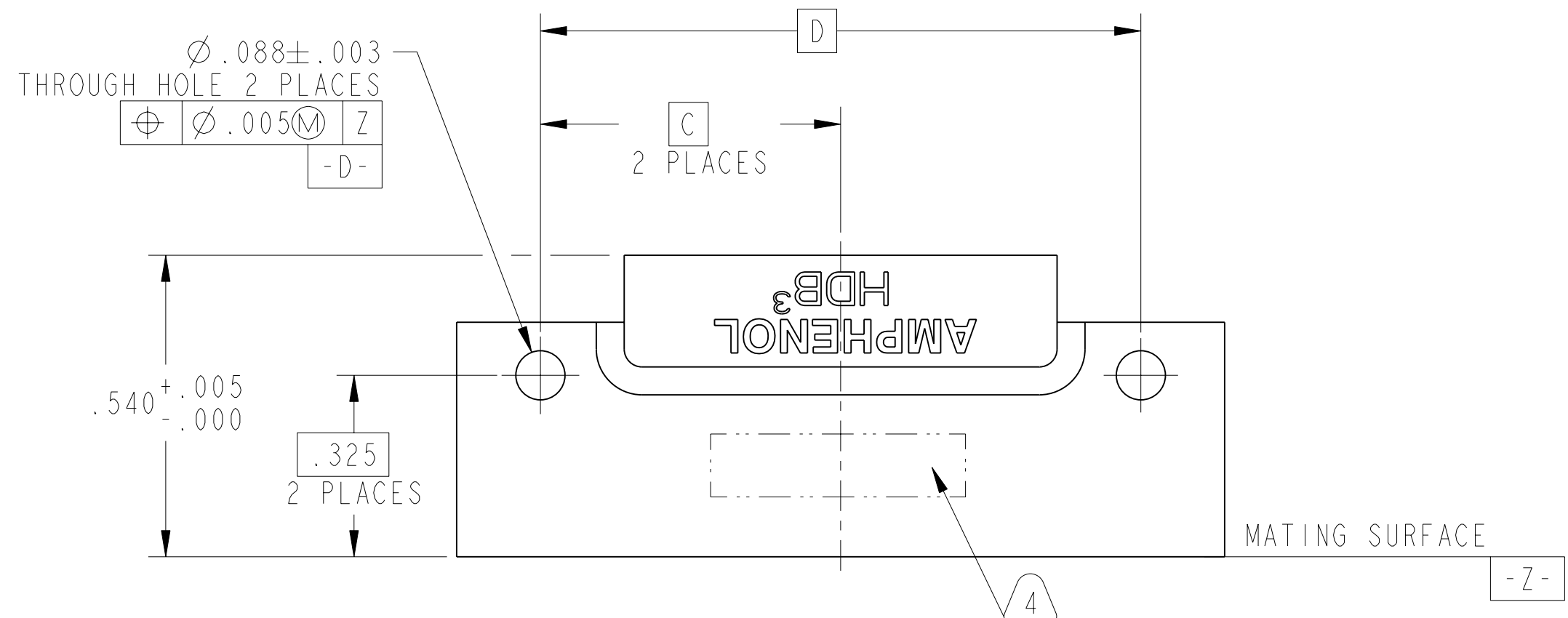


REV. A	SHEET 1 OF 5	DOCUMENT NO. HSB-D4-XXDXXXXX
REVISIONS		
LTR	DESCRIPTION	DATE
A	INITIAL RELEASE	11/15/2007



NOTES:

THE USE OF THIS DOCUMENT IS UNLIMITED. HOWEVER, DOCUMENTS REFERENCED HEREON MAY CONTAIN LIMITED RIGHTS DATA.

N/A
NEXT ASSEMBLY

PRO/ENGINEER INFORMATION
Pro/e Model Used:
HSB-D4-XXDXXXXX.ASSEMB
Drawing Name:
HSB-D4-XXDXXXXX

UNLESS OTHERWISE SPECIFIED	SPECIFICATIONS	POS	QTY	PART NUMBER	DESCRIPTION	NOTE
LINEAR DIMENSIONS ARE IN INCHES TOLERANCES: .XXXX = $\pm .0005$ ANGLES = $\pm 2^\circ$.XXX = $\pm .010$.XX = $\pm .03$.X = $\pm .1$	MATERIAL SPEC.	PARTS LIST				
	N/A	AMPHENOL CORPORATION 40-60 DELAWARE AVENUE SIDNEY, N.Y. 13858				
DIM. & TOL. PER ASME Y14.5M; DRM PER MIL-DTL-31000; OTHER Amphenol Stds. PER 9-3800 LEGENDS: = FLAG NOTE CALL OUT REFERENCE ONLY	PROCESS SPEC.	APPROVALS		DATE	3 DIFF PAIR WITH 20 BRUSH DAUGHTER BOARD CONNECTOR HSB3 SERIES	
	9-3895 9-3856-5	PREPARED BY	DMORSE	19-SEP-07	SIZE C CAGE CODE 77820 DOCUMENT NO. HSB-D4-XXDXXXXX REV. A	
		ENGINEER IN CHARGE	BCHUBB		SCALE: 4.0 REF. HSB-D4-XXXXXXX SHEET 1 OF 5	
		DESIGN MANAGER	EHICKEY			
		DESIGN ACTIVITY GROUP	BLP			
		THIRD ANGLE PROJECTION				

DOCUMENT NO. HSB-D4-XXDXXXXX

SHEET 1 OF 5

REV. A

C

B

A

FORMAT: C-U-E-I

VERSION 6

REVISION A

RELEASE STATE Released

REV. A

SHEET 1 OF 5

DOCUMENT NO. HSB-D4-XXDXXXXX

HSB-D4-XXD X XX X X

EXAMPLE: HSB-D4-03D M 02 2 X

CONTACT TERMINATION FINISH

2	GOLD PLATED IN ACCORDANCE WITH MIL-G-45204, TYPE II, .000030 MIN THICK GOLD OVER .000050 MIN THICK NICKEL
5	TIN PLATED IN ACCORDANCE WITH ASTM B545, .00010 MIN THICK MATTE TIN OVER .00010 MIN THICK NICKEL. 6
6	TIN-LEAD PLATED IN ACCORDANCE WITH SAE-AMS-P-81728, .00010 MIN THICK TIN-LEAD OVER .00010 MIN THICK COPPER.

HARDWARE (SUPPLIED UNASSEMBLED)

X	NO HARDWARE
P	POLARIZATION KEY (QTY 2)
L	LOW PROFILE MOUNTING NUT (QTY 2)

TERMINATION

	TYPE	STICKOUT (DIM E)
00	PCB, RIGHT ANGLE, .016 DIA.	.060
01	PCB, RIGHT ANGLE, .016 DIA.	.090
02	PCB, RIGHT ANGLE, .016 DIA.	.120
03	PCB, RIGHT ANGLE, .016 DIA.	.150
04	PCB, RIGHT ANGLE, .016 DIA.	.180
05	PCB, RIGHT ANGLE, .016 DIA.	.210
06	PCB, RIGHT ANGLE, .016 DIA.	.300

BRUSH WIRE PLATING (CONTACT INTERFACE)

M	0.000050 Au MIN THK OVER NICKEL
C	0.000020 Au MIN THK OVER NICKEL

DIFFERENTIAL SIGNAL

CONNECTOR DIMENSIONS

NUMBER DIFF SIGNALS	NUMBER OF CONTACTS	DIMENSION A	DIMENSION B	DIMENSION C	DIMENSION D
03	26	1.375	.806	.5375	1.075
07	54	2.075	1.506	.8875	1.775
10	80	2.775	2.206	1.2375	2.475
13	106	3.475	2.906	1.5875	3.175

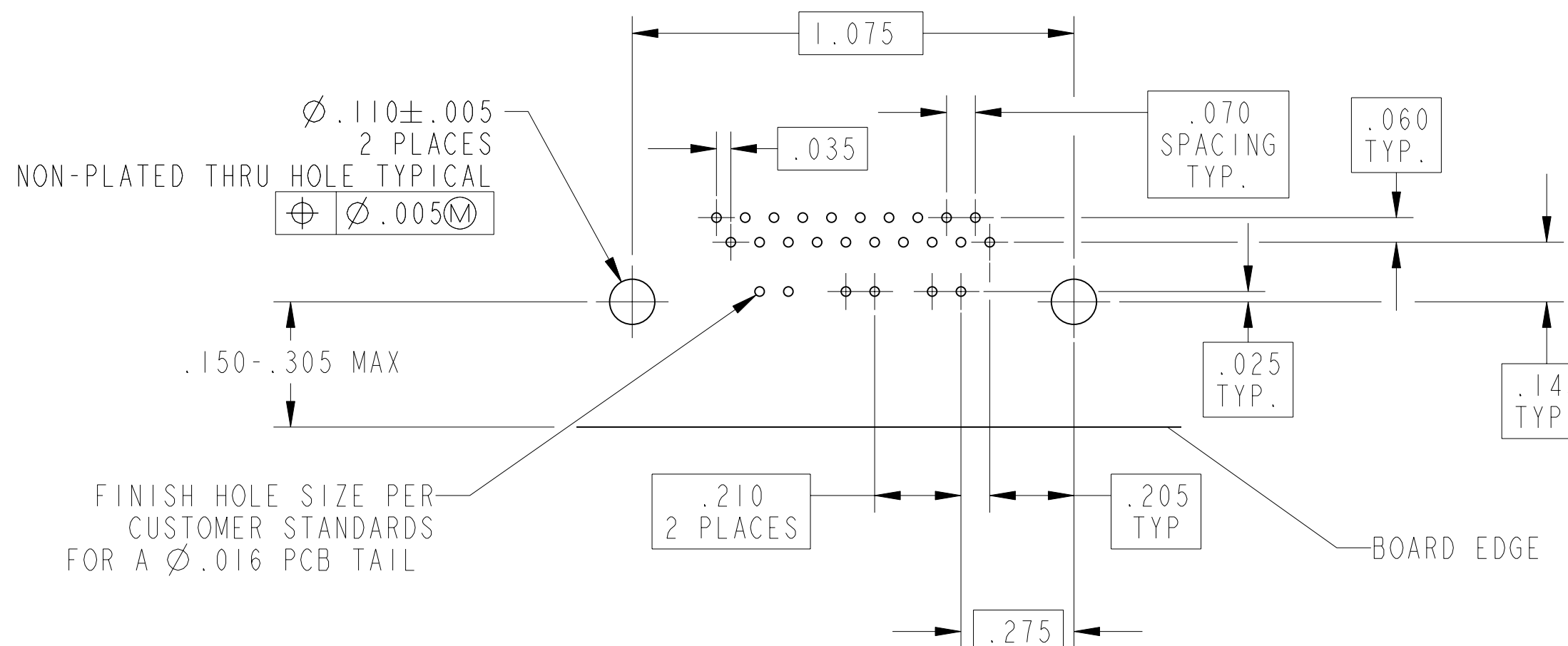
HIGH SPEED/HIGH DENSITY BRUSH

NOTES:

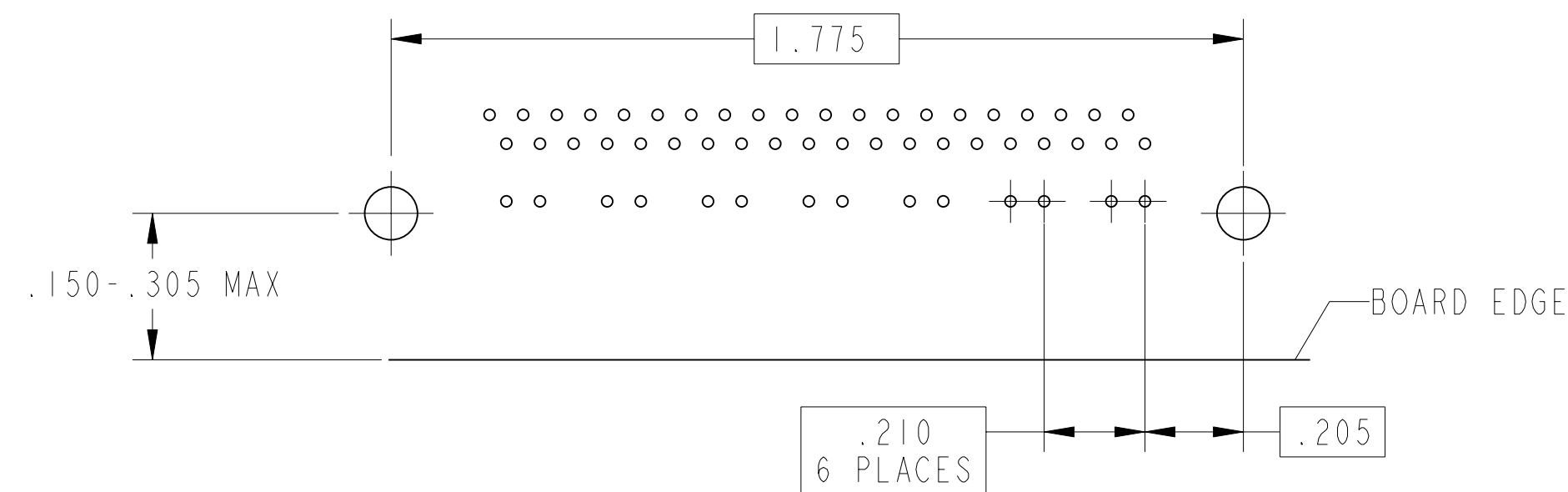
THE USE OF THIS DOCUMENT IS UNLIMITED. HOWEVER, DOCUMENTS REFERENCED HEREON MAY CONTAIN LIMITED RIGHTS DATA.

SIZE C	CAGE CODE 77820	DOCUMENT NO. HSB-D4-XXDXXXXX	REV. A
SCALE: 3.0		REF: HSB-D4-XXXXXXX	SHEET 2 OF 5

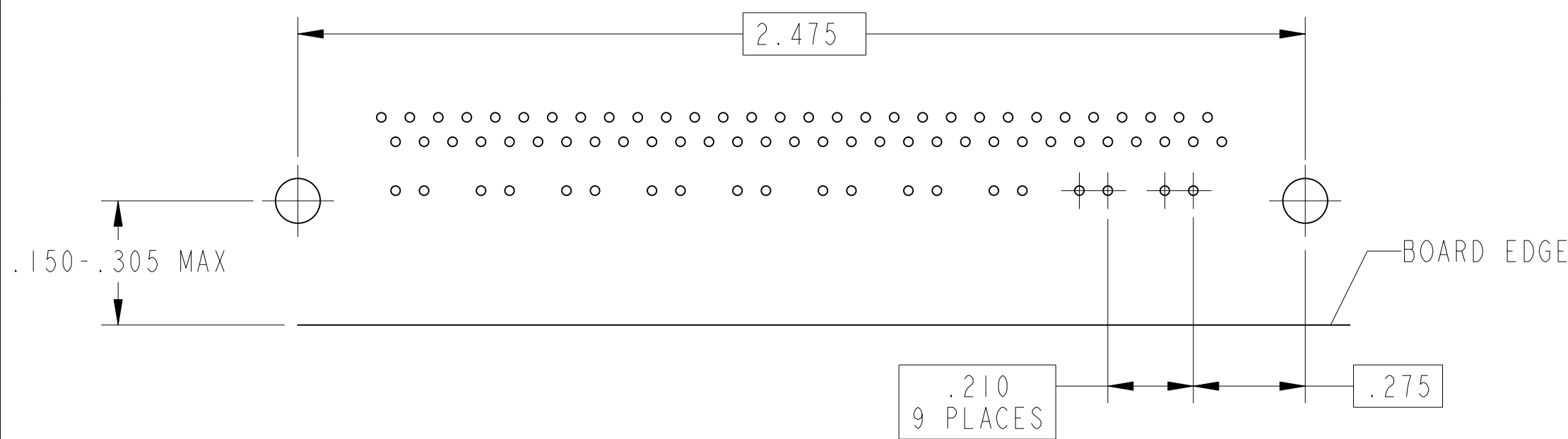
SUGGESTED DAUGHTER BOARD LAYOUT FOR 3, 7, 10 AND 13 DIFFERENTIAL PAIR COMPONENT SIDE



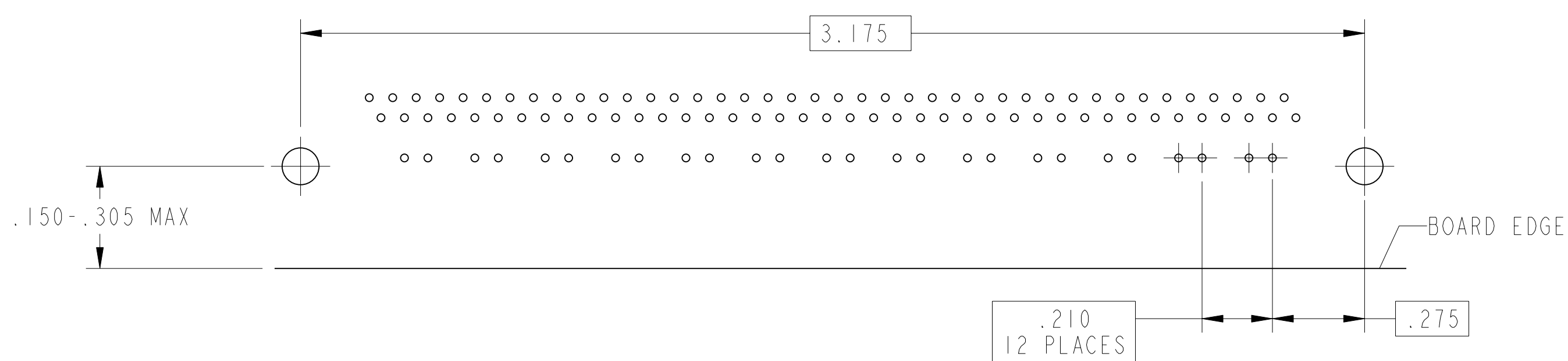
3 DIFFERENTIAL PAIR



7 DIFFERENTIAL PAIR



10 DIFFERENTIAL PAIR



13 DIFFERENTIAL PAIR

NOTES:

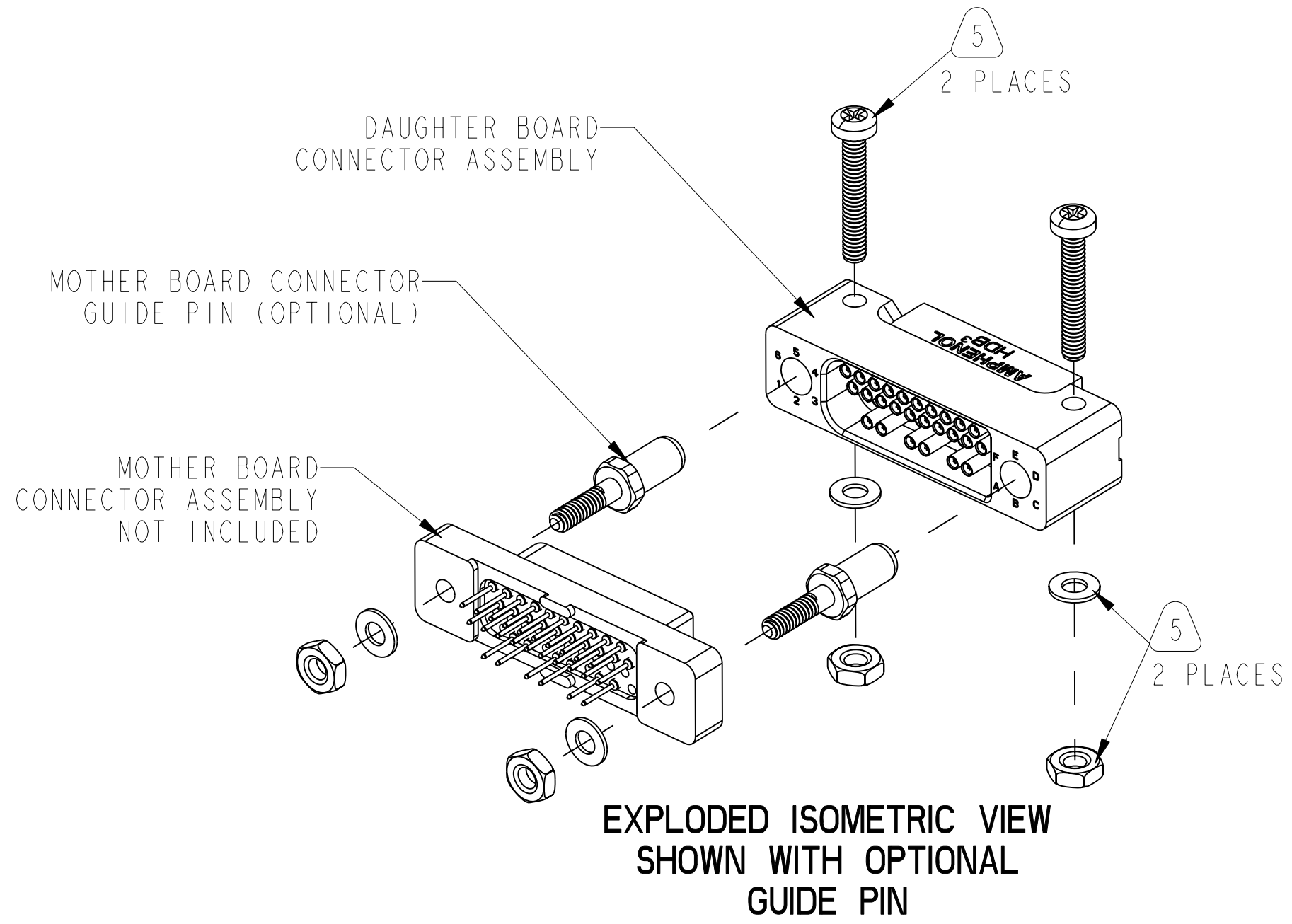
THE USE OF THIS DOCUMENT IS UNLIMITED. HOWEVER, DOCUMENTS REFERENCED HEREON MAY CONTAIN LIMITED RIGHTS DATA.

DOCUMENT NO. HSB-D4-XXDXXXXX SHEET 3 OF 5 REV. A

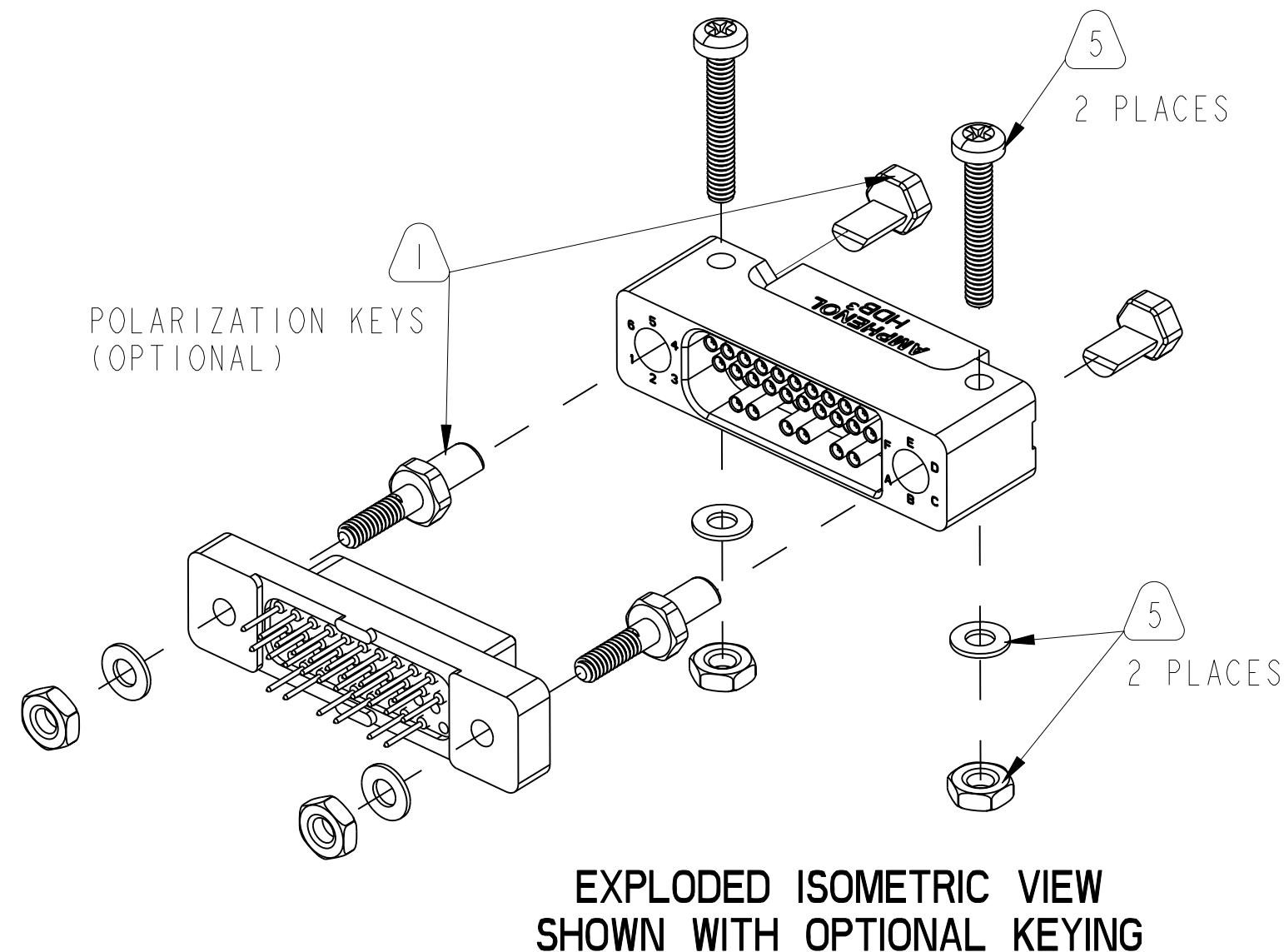
RELEASE STATE Released REVISION A VERSION 6

SIZE C	CAGE CODE 77820	DOCUMENT NO. HSB-D4-XXDXXXXX	REV. A
SCALE: 1.0		REF: HSB-D4-XXDXXXXX	SHEET 3 OF 5

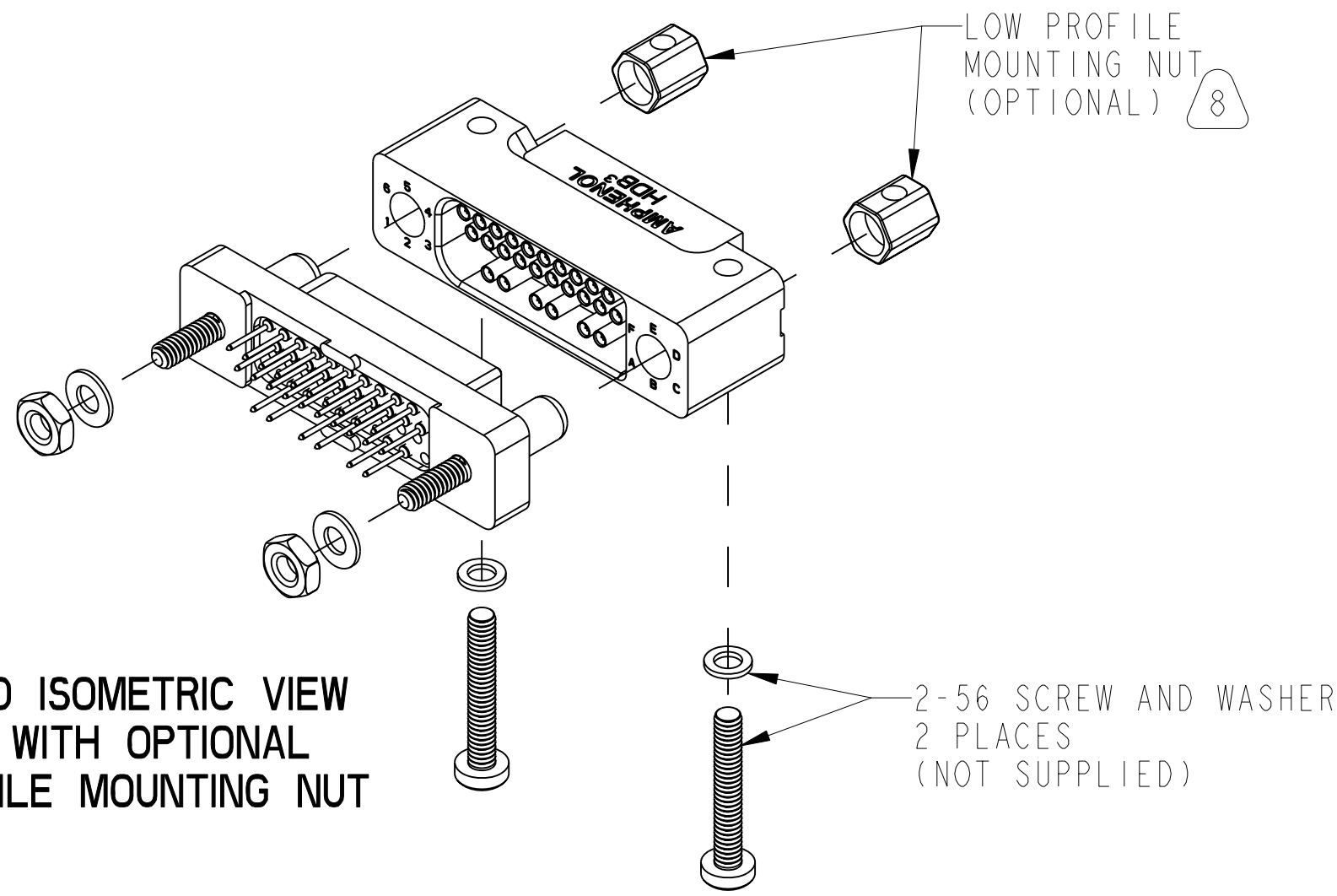
HSB-D4-XXDXXXXX SHEET 4 OF 5 A



EXPLODED ISOMETRIC VIEW SHOWN WITH OPTIONAL GUIDE PIN



EXPLODED ISOMETRIC VIEW SHOWN WITH OPTIONAL KEYING



EXPLODED ISOMETRIC VIEW SHOWN WITH OPTIONAL LOW PROFILE MOUNTING NUT

- 8. LOW PROFILE MOUNTING NUTS ARE OPTIONAL. WHEN USING, A QUANTITY OF 2 ARE REQUIRED PER CONNECTOR. INSERT LOW PROFILE MOUNTING NUTS FROM REAR OF CONNECTOR PRIOR TO MOUNTING CONNECTOR WITH SCREWS (SCREWS NOT INCLUDED). WHEN USING LOW PROFILE MOUNTING NUT, MATING CONNECTOR MAY ALSO USE GUIDE PINS.
- 7. CONTACT ASSEMBLIES ARE NON- REPLACEABLE.
- 6. RoHS COMPLIANT FOR TERMINATION FINISH TIN PLATE OVER NICKEL.
- 5. USE A 2-56 SCREW, NUT AND WASHER FOR MOUNTING CONNECTOR ASSEMBLY WITH OR WITHOUT POLARIZATION KEYS. (NOT SUPPLIED)
- 4. INK STAMP 77820, PART NUMBER AND DATE CODE ON INDICATED SURFACE PER 9-3856-5. DATE CODE PER 9-3895, CHARACTERS TO BE .062 ±.020 HIGH.
- 3. FOR MATING MOTHER BOARD CONNECTOR ASSEMBLY SEE DRAWING HSB-M4-XXDXXXXX.
- 2. INDICATED DIMENSION IS TO POINT OF MINIMUM ELECTRICAL ENGAGEMENT.
- 1. POLARIZATION KEYS ARE OPTIONAL. WHEN USING, A QUANTITY OF 2 ARE REQUIRED PER CONNECTOR. INSERT KEYS FROM REAR OF CONNECTOR PRIOR TO MOUNTING CONNECTOR WITH SCREWS (SEE NOTE 5). WHEN USING KEY, MATING CONNECTOR MUST ALSO USE KEYS.

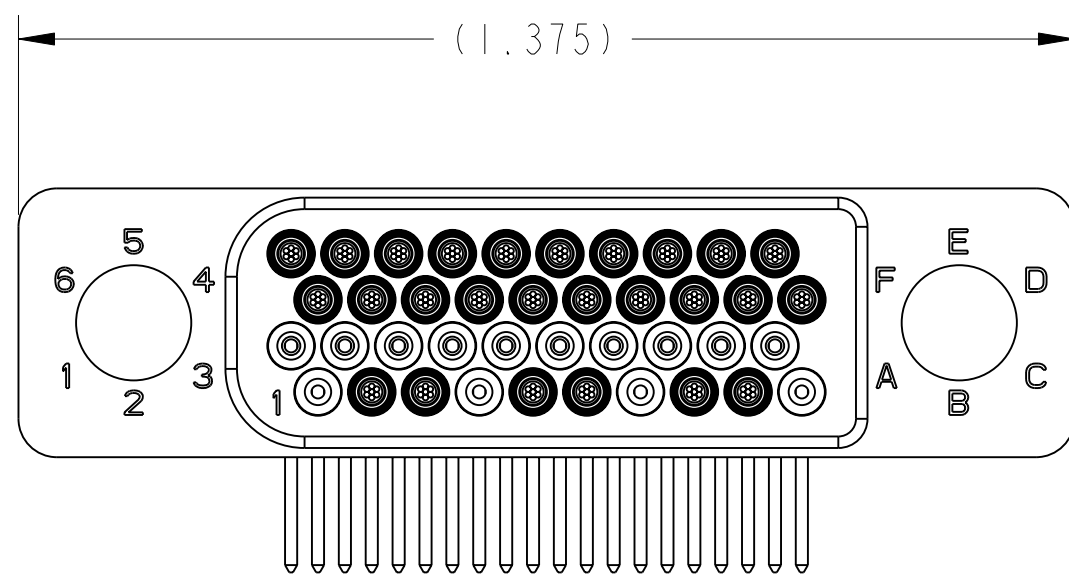
NOTES:

THE USE OF THIS DOCUMENT IS UNLIMITED. HOWEVER, DOCUMENTS REFERENCED HEREON MAY CONTAIN LIMITED RIGHTS DATA.

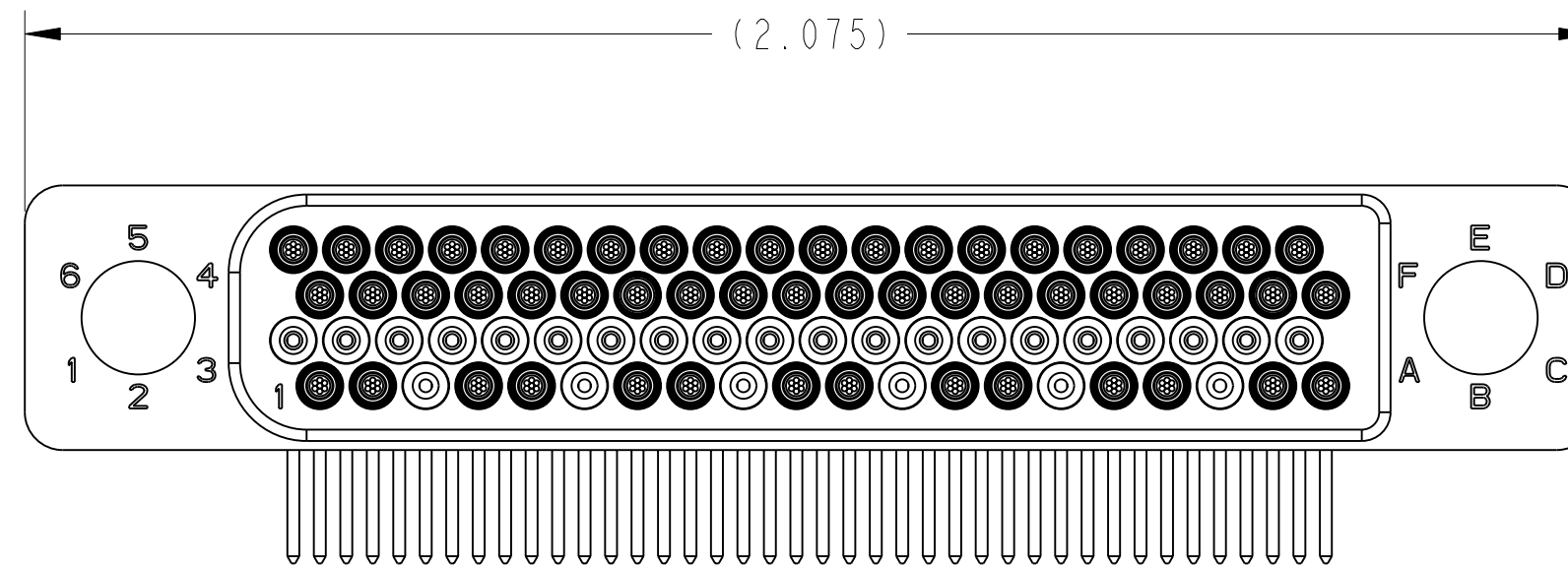
REPLACEMENT KEY/ LOW PROFILE MOUNTING NUT		
HW ID	TYPE	PART NUMBER
P	POLARIZATION KEY QTY 2	HDB-508804-000
L	LOW PROFILE MOUNTING NUT (QTY 2)	HDB-508804-001

SIZE C	CAGE CODE 77820	DOCUMENT NO. HSB-D4-XXDXXXXX	REV. A
SCALE: 3.0		REF: HSB-D4-XXDXXXXX	SHEET 4 OF 5

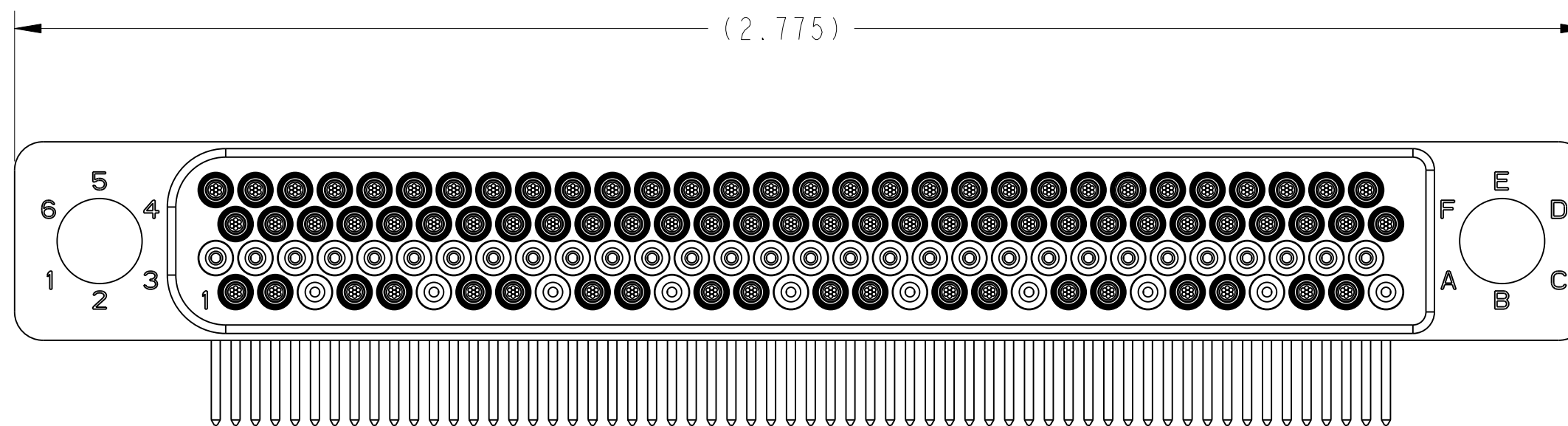
HSB-D4-XXDXXXXX SHEET 4 OF 5 A



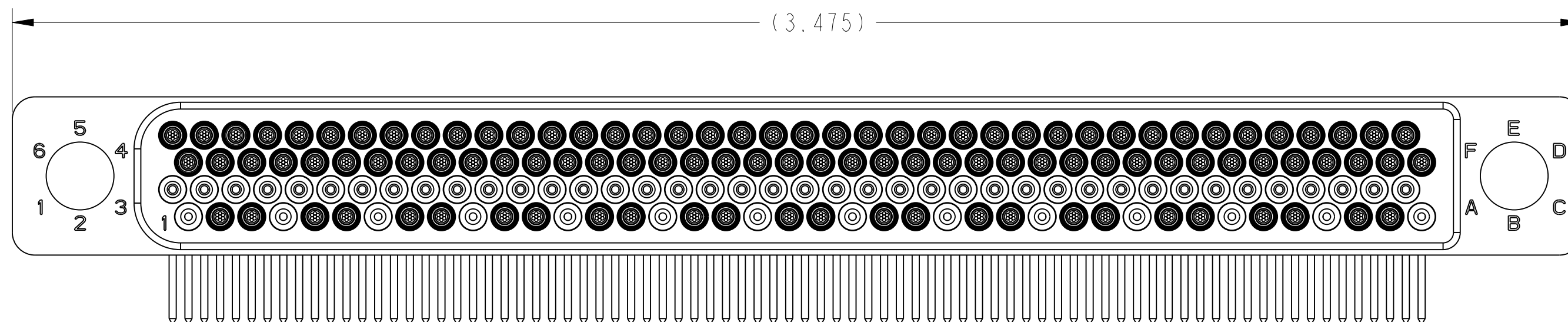
3 DIFFERENTIAL PAIR
SCALE 4.000



7 DIFFERENTIAL PAIR
SCALE 4.000



10 DIFFERENTIAL PAIR
SCALE 4.000



13 DIFFERENTIAL PAIR
SCALE 4.000

NOTES:

THE USE OF THIS DOCUMENT IS UNLIMITED.
HOWEVER, DOCUMENTS REFERENCED HEREON
MAY CONTAIN LIMITED RIGHTS DATA.

DOCUMENT NO. HSB-D4-XXDXXXXX SHEET 5 OF 5 REV. A

DOCUMENT NO. HSB-D4-XXDXXXXX SHEET 5 OF 5 REV. A

X-ON Electronics

Largest Supplier of Electrical and Electronic Components

Click to view similar products for [Rectangular MIL Spec Connectors](#) category:

Click to view products by [Amphenol](#) manufacturer:

Other Similar products are found below :

[891-011-15SA2-BSST](#) [CTS-S16/16](#) [65002-062](#) [CY4602-000](#) [732-8020-01](#) [77058-22-55PN](#) [81542-20](#) [86.030.0053.0](#) [1241346-1](#) [RM252-020-311-2900](#) [DMC-M 08-16 SA](#) [1589051-4](#) [MSO34MPK1E1](#) [BACC65CAMA](#) [BACC65CP1PN](#) [BACI10BC0816PNBA](#) [HSB-D4S03DM222X](#) [2217548-1](#) [891-006-9PS-BST1T](#) [891-009-15SA2-BRT1T](#) [27963-20T12](#) [SIM2S100A](#) [1604996-2](#) [SMD25PN90L-4055](#) [1900ND08S1B00A](#) [22628-10-6P-791](#) [33526M11-08PD](#) [RE04-212S](#) [M32139/03-G05SN](#) [CTD160E01F-6148](#) [CTJ112E03B](#) [CTJ122E02D-8000](#) [CTJ-3D-12](#) [CTJ920E06N-513](#) [CTJ920E12N-513](#) [CTL-16-090](#) [RM300-000-581-0000](#) [CY4600-000](#) [CY4601-000](#) [38111-14-15SN](#) [38112-14-15PN](#) [MMA23-0111R1](#) [MMD25-0071P1](#) [33516062020](#) [33526M11-08PE](#) [DMC-M99-01AN](#) [Y59113WE20PNV00300](#) [ZPF000000000106310](#) [105979-31](#) [EN4165M01AD0G0](#)