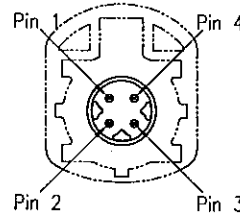
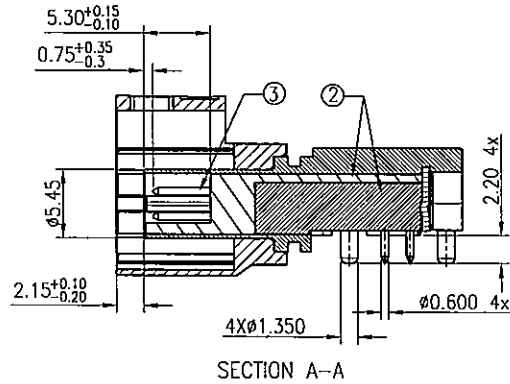
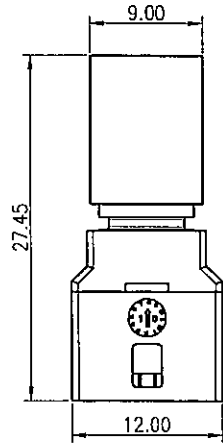


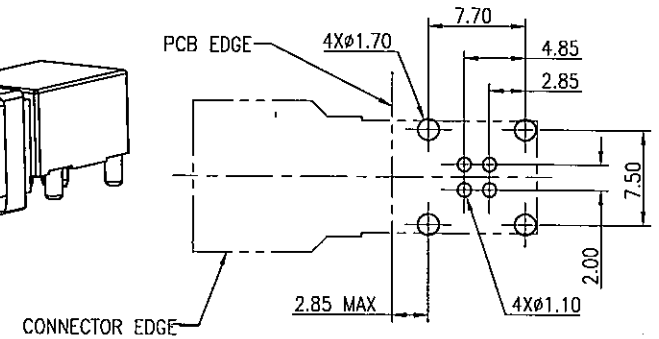
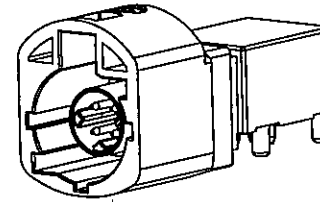
This document is the property of Amphenol Corporation and is delivered on the express condition that it is not to be disclosed, reproduced or used, in whole or in part, for manufacture or sale by anyone other than Amphenol Corporation without its prior consent, & that no right is granted to disclose or to use any information in this document.

CUSTOMER DRAWING

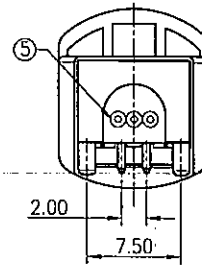
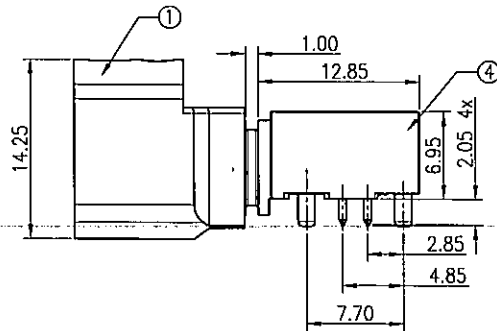
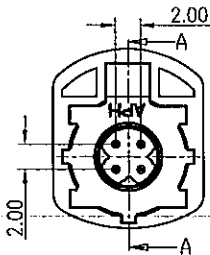
REVISIONS				
SYM	ECN	DESCRIPTION	DATE	APPROVED
1	HK7024	RELEASE TO CUSTOMER	12/23/13	IP
2	HK7477	ADD PLATING INFORMATION	11/3/16	IP



Pinning standard



RECOMMENDED PCB LAYOUT TOP VIEW
TOLERANCE: ±0.05 (PCB THICKNESS=1.6±0.15mm)



Notes:

1. Material:

- ① Housing: High temperature thermoplastic, color see table 1.
- ② Dielectrics: High temperature thermoplastic, color black.
- ③ Center contact: Copper alloy.
- ④ Outer contact: Zinc alloy.
- ⑤ Cover: Stainless Steel.

2. Finish:

- ③ Center contact: Gold plated 0.15um min. on contact area & gold flash on soldering tail over 1~3um Ni underplating;
- ④ Outer contact: 4um min. Solderable Ni plated over 10~17um Cu underplating.

4. RoHS compliant.

5. Order P/N system:

HSD NXRP PCB 12X

Coding: See table 1

Packing method:

- A- Packing by tape & reel
- B- Packing by tray
- C- Single Packing



Table 1

Plug	Coding	Color	Ral
	A	Black	9005
	B	White	9001
	C	Blue	5005
	D	Claret	4004
	E	Green	6002
	F	Brown	8011
	Z	Waterblue	5021

Plug	Coding	Color	Ral
	G	Grey	7031
	H	Violet	4003
	J	Beige	1001
	K	Curry	1027
	L	Yellow green	6018
	M	Pastel orange	2003
	O	Light green	6027

UNLESS OTHERWISE SPECIFIED TOLERANCES U.S. METRIC X +/- 0.50 .XX +/- 0.25 .XXX +/- 0.20 FRACTIONS +/- ANGLES +/- 5° FOR MATERIALS AND FINISHES SEE NOTES REMOVE SHARP EDGES	APPROVAL		DATE	Amphenol
	DRAWN	KAKA.Y	11/3/16	
DIMENSIONS U.S. INCHES METRIC MM	CHECKED	11/18/16		TITLE HSD R/A PLUG LOW PROFILE CONNECTOR NORTH LOCATION
	CHECKED			
DRAWING NO.			SCALE	REV.
A4 HSD NXRP PCB 12X			1:1	2
SHEET 1 OF 1				

X-ON Electronics

Largest Supplier of Electrical and Electronic Components

Click to view similar products for [Automotive Connectors](#) category:

Click to view products by [Amphenol](#) manufacturer:

Other Similar products are found below :

[003-018-000](#) [60403001](#) [60993906-B](#) [M902-2131](#) [M902-2161](#) [72.330.1035.1](#) [73.353.4028.0](#) [F119300-B](#) [F166900](#) [F258300-B](#) [F358300-B](#)
[F407400](#) [F444110](#) [F487000](#) [F509500B-B](#) [827153-1](#) [8N1515-32-24P](#) [9-1326729-8](#) [925474-1](#) [928905-1](#) [964562-4](#) [968782-1](#) [GT17SA-8DS-](#)
[HU](#) [98891-1012](#) [98947-1016](#) [12004475-L](#) [12010290](#) [12010309-B](#) [12015454](#) [12020219-B](#) [12020308](#) [12041318-B](#) [12052225-L](#) [12052466](#)
[12059125](#) [12064869](#) [12004327-B](#) [12010503-B](#) [12015308](#) [12015384](#) [12015909](#) [1-21030-1](#) [12041254](#) [12041318](#) [12047946-B](#) [12047957](#)
[12047957-L](#) [12059473](#) [12066261](#) [12110546](#)