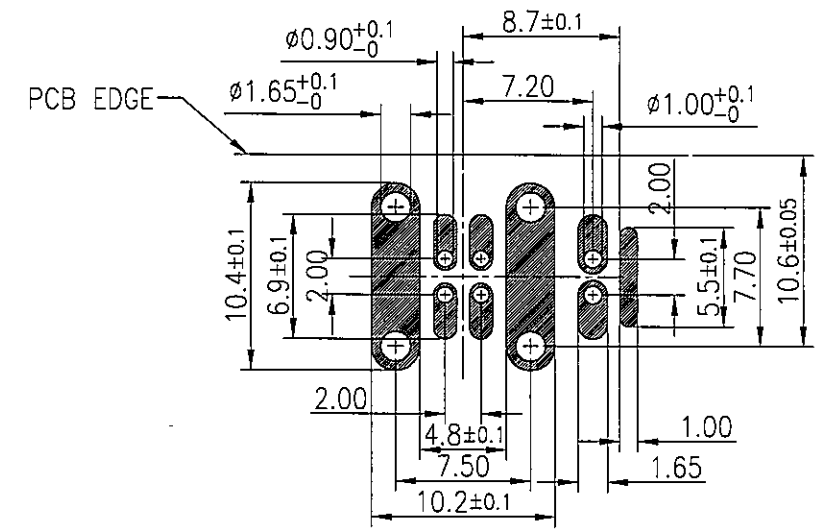
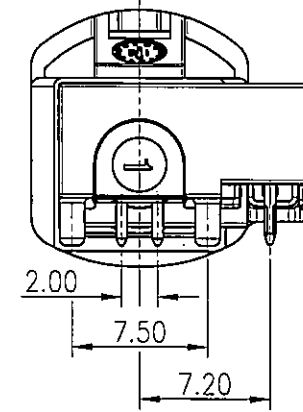
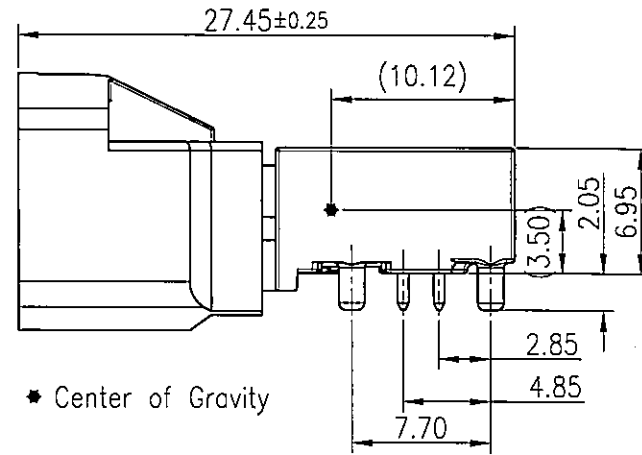
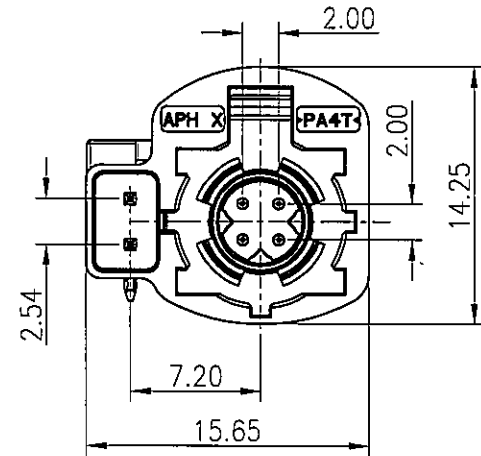


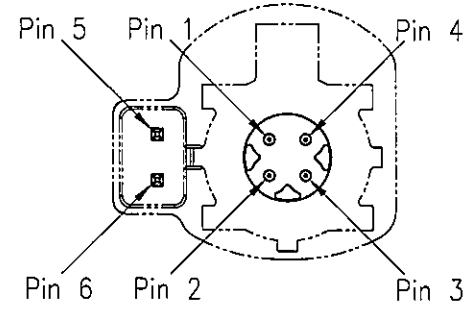
This document is the property of Amphenol Corporation and is delivered on the express condition that it is not to be disclosed, reproduced or used, in whole or in part, for manufacture or sale by anyone other than Amphenol Corporation without its prior consent, & that no right is granted to disclose or to use any information in this document.

# CUSTOMER DRAWING

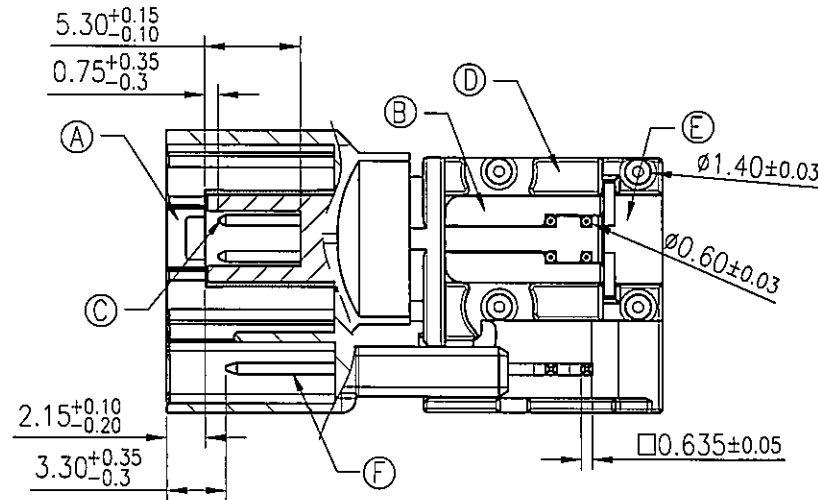
REVISIONS				
SYM	ECN	DESCRIPTION	DATE	APPROVED
5	HK7310	new design	1/25'16	IP



RECOMMENDED PCB LAYOUT TOP VIEW  
TOLERANCE: ±0.05 (PCB THICKNESS=1.6±0.15mm)



PINNING STANDARD



**Notes:**

**1. Material:**

- Ⓐ Housing: High temperature thermoplastic, color see table 1.
- Ⓑ Dielectric: High temperature thermoplastic, color black.
- Ⓒ Center contact: Copper alloy.
- Ⓓ Outer contact: Zinc alloy.
- Ⓔ Cover: Zinc alloy.
- Ⓕ MQS contact: Copper alloy.

**2. Finish:**

- Ⓒ Center contact: Gold plated at mating area;
- Ⓓ Outer contact: Tin plated.
- Ⓕ MQS contact: Tin plated.

**3. RoHs compliant.**

**4. Order P/N system:**

HSD NXRP PCB 7X

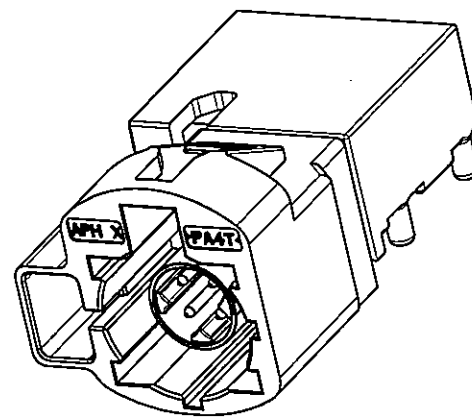
Coding: \_\_\_\_\_  
See table 1

Packing method:

- A- Packing by tape & reel
- B- Packing by tray
- C- Single Packing

Table 1

Plug	Coding	Color	Ral
	A	Black	9005
	B	White	9001
	C	Blue	5005
	D	Claret	4004
	E	Green	6002
	F	Brown	8011
	Z	Waterblue	5021



3D PROFILE



UNLESS OTHERWISE SPECIFIED TOLERANCES		APPROVAL	DATE	Amphenol
U.S. METRIC		DRAWN	Kaka Yang 1/25'16	
.X +/-	0.50	CHECKED	Wisher 1/28'16	TITLE
.XX +/-	0.20	CHECKED		HSD + 2MQS R/A PLUG
.XXX +/-	0.10			NORTH LOCATION
FRACTIONS +/-				SIZE
ANGLES +/-	5°			DRAWING NO.
FOR MATERIALS AND FINISHES SEE NOTES		DRAWING FILE: S:\PE Master\DRAWING\HSD\HSDNXRPPCB7X-S.DWG		REV.
REMOVE SHARP EDGES		ANGLE OF PROJECTION		A3 HSDNXRPPCB7X
DIMENSIONS		U.S. INCHES		SCALE
U.S.	INCHES			1:1
METRIC	MM			SHEET 1 OF 1

## X-ON Electronics

Largest Supplier of Electrical and Electronic Components

*Click to view similar products for [Automotive Connectors](#) category:*

*Click to view products by [Amphenol](#) manufacturer:*

Other Similar products are found below :

[003-018-000](#) [60403001](#) [60993906-B](#) [M902-2131](#) [M902-2161](#) [72.330.1035.1](#) [73.353.4028.0](#) [F119300-B](#) [F166900](#) [F258300-B](#) [F358300-B](#)  
[F407400](#) [F444110](#) [F487000](#) [F509500B-B](#) [827153-1](#) [8N1515-32-24P](#) [9-1326729-8](#) [925474-1](#) [928905-1](#) [964562-4](#) [968782-1](#) [GT17SA-8DS-](#)  
[HU](#) [98891-1012](#) [98947-1016](#) [12004475-L](#) [12010290](#) [12010309-B](#) [12015454](#) [12020219-B](#) [12020308](#) [12041318-B](#) [12052225-L](#) [12052466](#)  
[12059125](#) [12064869](#) [12004327-B](#) [12010503-B](#) [12015308](#) [12015384](#) [12015909](#) [1-21030-1](#) [12041254](#) [12041318](#) [12047946-B](#) [12047957](#)  
[12047957-L](#) [12059473](#) [12066261](#) [12110546](#)