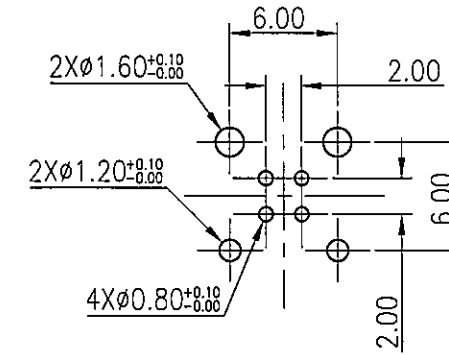
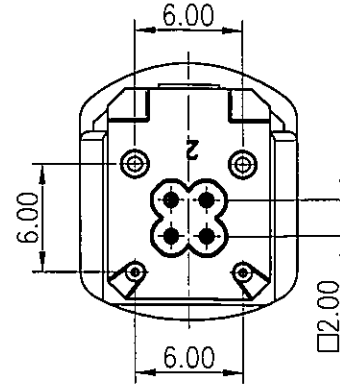
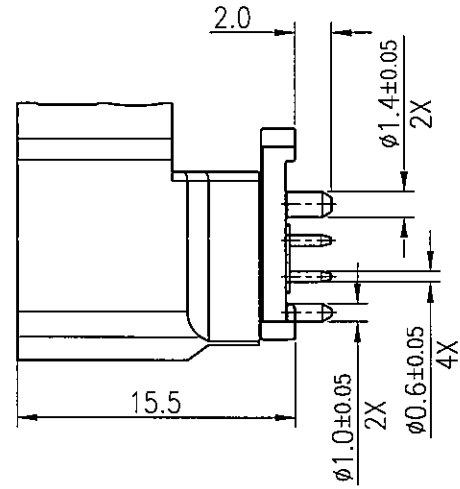
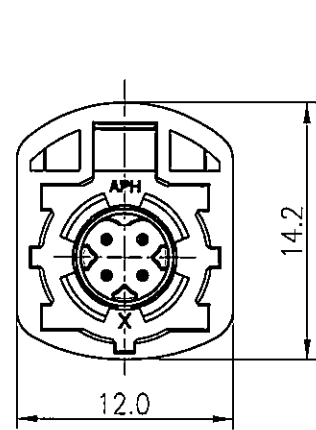


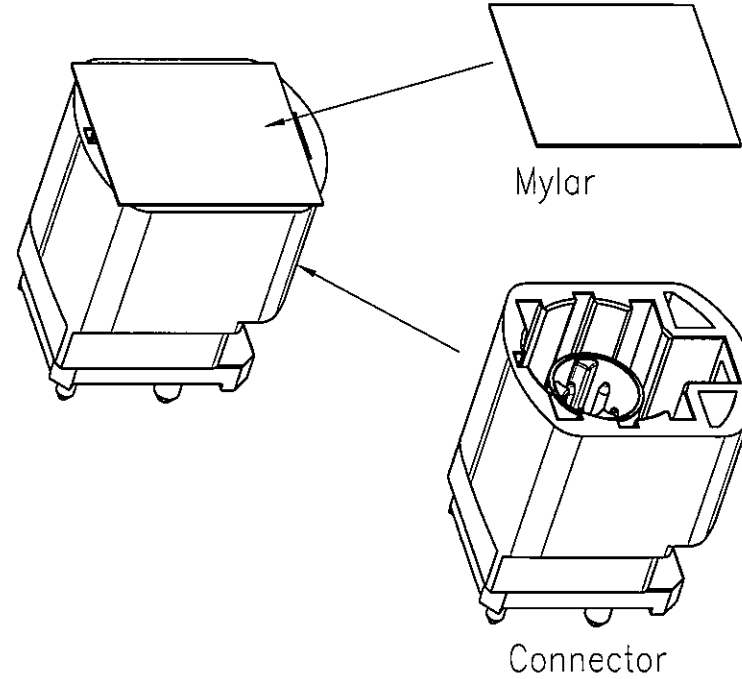
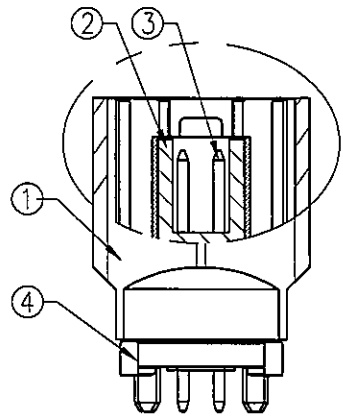
This document is the property of Amphenol Corporation and is delivered on the express condition that it is not to be disclosed, reproduced or used, in whole or in part, for manufacture or sale by anyone other than Amphenol Corporation without its prior consent, & that no right is granted to disclose or to use any information in this document.

CUSTOMER DRAWING

REVISIONS				
SYM	ECN	DESCRIPTION	DATE	APPROVED
2	HK7312	RELEASE TO CUSTOMER	2/2'16	IP



RECOMMENDED PCB LAYOUT TOP VIEW
TOLERANCE: ±0.05 (PCB THICKNESS = 1.6 ± 0.15 mm)



Notes:

1. Material:

- ① Housing: High temperature Thermoplastic, color see table 1.
- ② Dielectric: High temperature thermoplastic, color black.
- ③ Center contacts: Copper alloy.
- ④ Outer contact: Zinc alloy.

2. Finish:

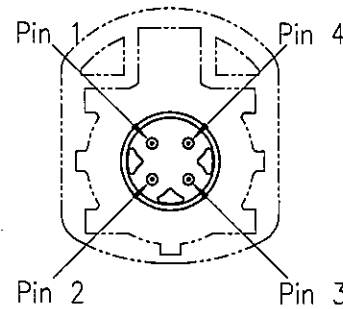
- ③ Center contacts: 0.15µm Min gold mating area; gold flash on solder tail.
- ④ Outer contact: 1.25-6µm matte tin on solder tail.

3. RoHS compliant.

4. Order P/N system:

TABLE 1

PLUG	CODING	COLOR	RAL
	A	JET BLACK	SIM. 9005
	B	CREAM	SIM. 9001
	C	SIGNAL BLUE	SIM. 5005
	D	CLARET VIOLET	SIM. 4004
	E	LEAF GREEN	SIM. 6002
	F	NUT BROWN	SIM. 8011
	Z	WATER BLUE	SIM. 5021



Pinning standard

HSD NXSP PCB14X

Coding: _____
See table 1

Packing method:

- A- Packing by tape & reel
- B- Packing by tray
- C- In bulk



UNLESS OTHERWISE SPECIFIED TOLERANCES U.S. METRIC .X +/- 0.50 .XX +/- 0.25 .XXX +/- 0.20 FRACTIONS +/- ANGLES +/- 5°	APPROVAL	DATE	Amphenol
	DRAWN: Kaka Yang	2/2'16	
FOR MATERIALS AND FINISHES SEE NOTES	CHECKED: Wilber	2/2'16	TITLE
REMOVE SHARP EDGES	DRAFTER: Down		HSD VERTICAL PLUG CONNECTOR NORTH LOCATION
DIMENSIONS U.S. INCHES METRIC MM	ANGLE OF PROJECTION	SIZE	DRAWING NO.
		A3	HSDNXSPPCB14X
		SCALE	N/A
		SHEET	1 OF 1
		REV.	2

X-ON Electronics

Largest Supplier of Electrical and Electronic Components

Click to view similar products for [Automotive Connectors](#) category:

Click to view products by [Amphenol](#) manufacturer:

Other Similar products are found below :

[003-018-000](#) [60403001](#) [60993906-B](#) [M902-2131](#) [M902-2161](#) [72.330.1035.1](#) [73.353.4028.0](#) [F119300-B](#) [F166900](#) [F258300-B](#) [F358300-B](#)
[F407400](#) [F444110](#) [F487000](#) [F509500B-B](#) [827153-1](#) [8N1515-32-24P](#) [9-1326729-8](#) [925474-1](#) [928905-1](#) [964562-4](#) [968782-1](#) [GT17SA-8DS-](#)
[HU](#) [98891-1012](#) [98947-1016](#) [12004475-L](#) [12010290](#) [12010309-B](#) [12015454](#) [12020219-B](#) [12020308](#) [12041318-B](#) [12052225-L](#) [12052466](#)
[12059125](#) [12064869](#) [12004327-B](#) [12010503-B](#) [12015308](#) [12015384](#) [12015909](#) [1-21030-1](#) [12041254](#) [12041318](#) [12047946-B](#) [12047957](#)
[12047957-L](#) [12059473](#) [12066261](#) [12110546](#)