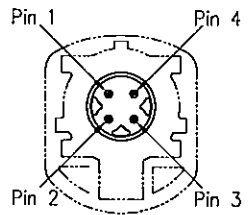
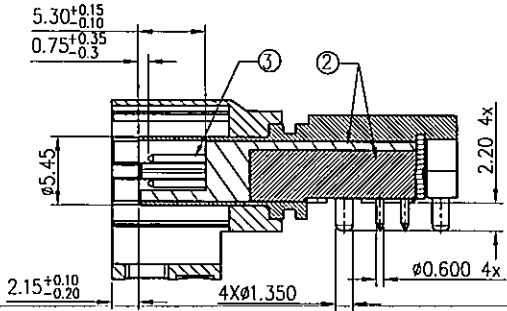
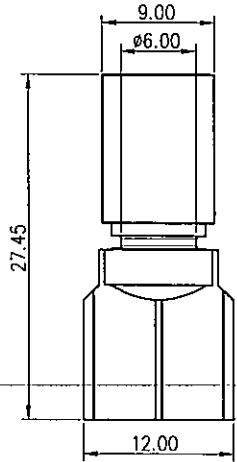


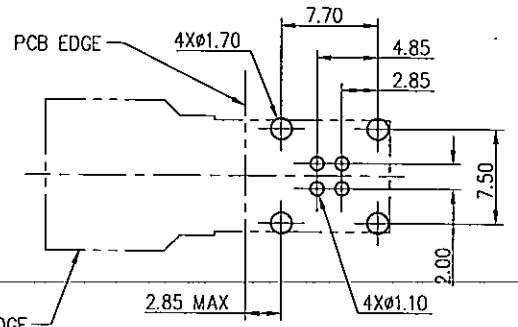
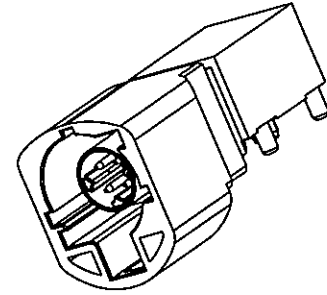
This document is the property of Amphenol Corporation and is delivered on the express condition that it is not to be disclosed, reproduced or used, in whole or in part, for manufacture or sale by anyone other than Amphenol Corporation without its prior consent, & that no right is granted to disclose or to use any information in this document.

CUSTOMER DRAWING

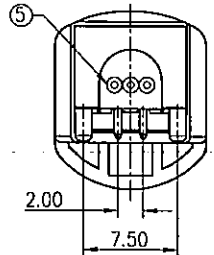
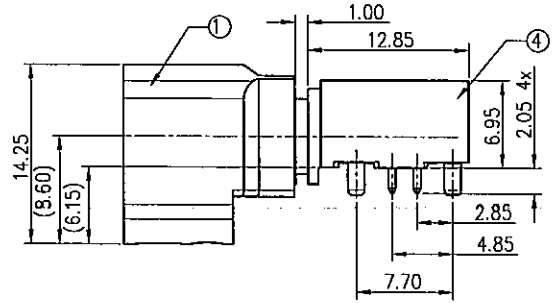
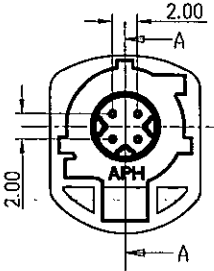
REVISIONS				
SYM	ECN	DESCRIPTION	DATE	APPROVED
2	HK7488	ADD PLATING INFORMATION	11/21'16	IP



Pinning standard



RECOMMENDED PCB LAYOUT TOP VIEW
TOLERANCE: ±0.05(PCB THICKNESS=1.6±0.15mm)



Notes:

- Material:
 - ①Housing: High temperature thermoplastic,color see table 1.
 - ②Dielectrics: High temperature thermoplastic,color black.
 - ③Center contact: Copper alloy.
 - ④Outer contact : Zinc alloy.
 - ⑤Cover: Stainless Steel.
- Finish:
 - ③Center contact: Gold plated 0.15um min. on contact area & gold flash on soldering tail over 1um min. Ni underplating;
 - ④Outer contact : 4um Min. Solderable Ni plated over 10~17um Cu underplating.
- RoHS compliant.
- Order P/N system:

HSD SXRP PCB 12X

Coding: See table 1

Packing method:
A- Packing by tape & reel
B- Packing by tray
C- Single Packing



Table 1

Plug	Coding	Color	Ral
	A	Black	9005
	B	White	9001
	C	Blue	5005
	D	Claret	4004
	E	Green	6002
	F	Brown	8011
	Z	Waterblue	5021

Plug	Coding	Color	Ral
	G	Grey	7031
	H	Violet	4003
	J	Beige	1001
	K	Curry	1027
	L	Yellow green	6018
	M	Pastel orange	2003
	O	Light green	6027

UNLESS OTHERWISE SPECIFIED TOLERANCES U.S. METRIC .X +/- 0.50 .XX +/- 0.25 .XXX +/- 0.20 FRACTIONS +/- 5' ANGLES +/- 5' FOR MATERIALS AND FINISHES SEE NOTES REMOVE SHARP EDGES	APPROVAL DRAWN KAKA.Y CHECKED <i>[Signature]</i> CHECKED <i>[Signature]</i>	DATE 11/21'16	Amphenol TITLE HSD R/A PLUG LOW PROFILE CONNECTOR SOUTH LOCATION SIZE DRAWING NO. A4 HSD SXRP PCB 12X SCALE 1:1 SHEET 1 OF 1
	DRAWING FILE : C:\PV\...		
	ANGLE OF PROJECTION 		
	DIMENSIONS U.S. INCHES METRIC MM		

X-ON Electronics

Largest Supplier of Electrical and Electronic Components

Click to view similar products for [Automotive Connectors](#) category:

Click to view products by [Amphenol](#) manufacturer:

Other Similar products are found below :

[003-018-000](#) [60403001](#) [60993906-B](#) [M902-2131](#) [M902-2161](#) [72.330.1035.1](#) [73.353.4028.0](#) [F119300-B](#) [F166900](#) [F258300-B](#) [F358300-B](#)
[F407400](#) [F444110](#) [F487000](#) [F509500B-B](#) [827153-1](#) [8N1515-32-24P](#) [9-1326729-8](#) [925474-1](#) [928905-1](#) [964562-4](#) [968782-1](#) [GT17SA-8DS-](#)
[HU](#) [98891-1012](#) [98947-1016](#) [12004475-L](#) [12010290](#) [12010309-B](#) [12015454](#) [12020219-B](#) [12020308](#) [12041318-B](#) [12052225-L](#) [12052466](#)
[12059125](#) [12064869](#) [12004327-B](#) [12010503-B](#) [12015308](#) [12015384](#) [12015909](#) [1-21030-1](#) [12041254](#) [12041318](#) [12047946-B](#) [12047957](#)
[12047957-L](#) [12059473](#) [12066261](#) [12110546](#)