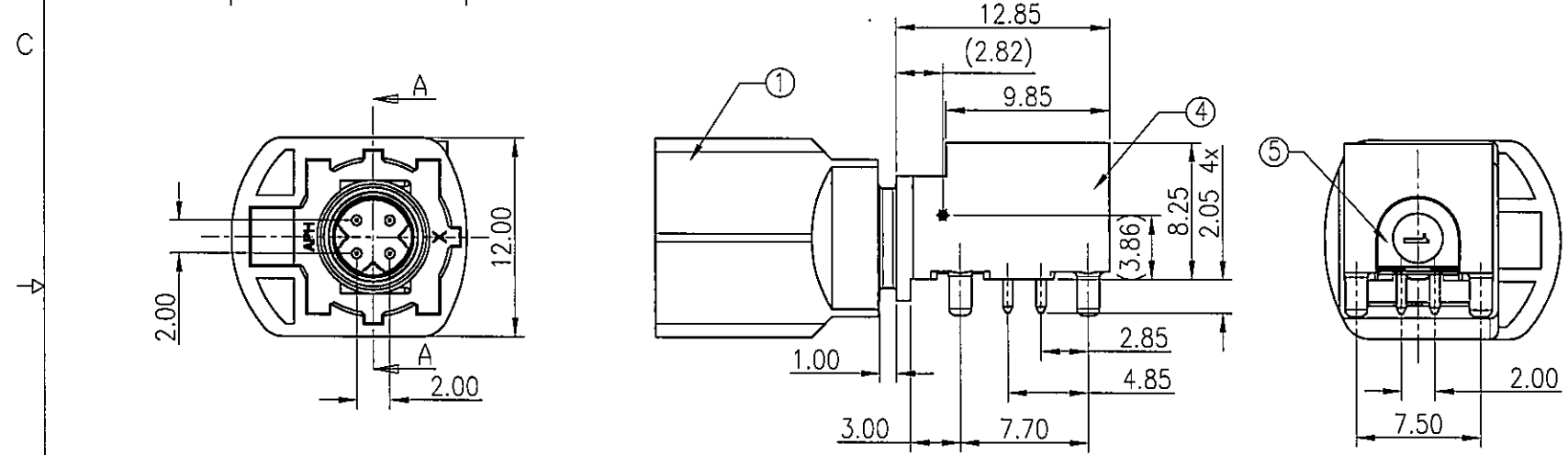
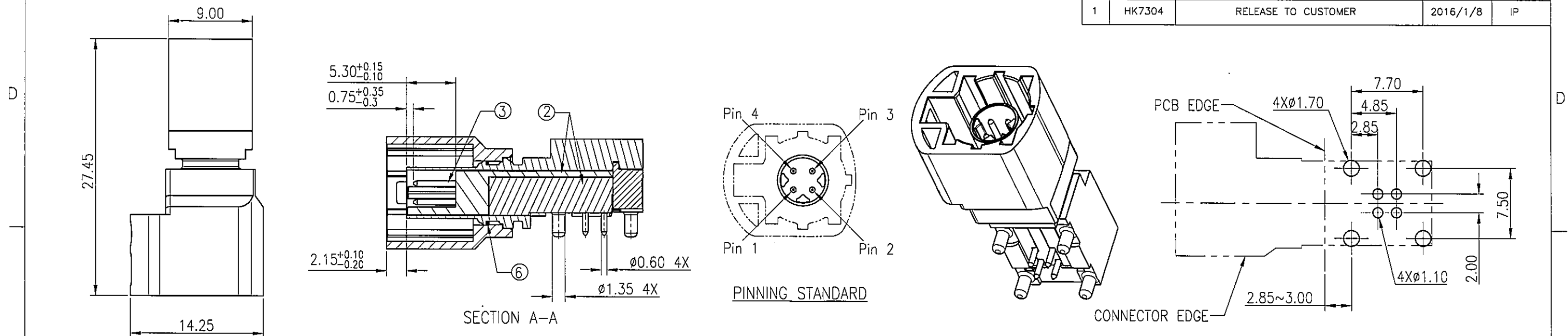


This document is the property of Amphenol Corporation and is delivered on the express condition that it is not to be disclosed, reproduced or used, in whole or in part, for manufacture or sale by anyone other than Amphenol Corporation without its prior consent, & that no right is granted to disclose or to use any information in this document.

CUSTOMER DRAWING

REVISIONS				
SYM	ECN	DESCRIPTION	DATE	APPROVED
1	HK7304	RELEASE TO CUSTOMER	2016/1/8	IP



* Center of Gravity

- Notes:
- Material:
 - ① Housing: High temperature thermoplastic, color see table 1.
 - ② Dielectrics: High temperature thermoplastic, color black.
 - ③ Center contact: Copper alloy.
 - ④ Outer contact: Zinc alloy.
 - ⑤ Cover: Zinc alloy.
 - ⑥ Baffle: stainless steel.
 - Finish:
 - ③ Center contact: 0.15um min. gold plated on contact area;
 - ④ Outer contact: 1.27um min. matte tin plated.
 - ⑤ Cover: 2um min. nickel plated.
 - RoHS compliant.
 - Order P/N system:

HSD WXRPPCB18X

Coding: See table 1

Packing method:
 A- Packing by tape & reel
 B- Packing by tray
 C- Single Packing



Table 1

Plug	Coding	Color	Ral
	A	Black	9005
	B	White	9001
	C	Blue	5005
	D	Claret	4004
	E	Green	6002
	F	Brown	8011
	Z	Waterblue	5021

Plug	Coding	Color	Ral
	G	Grey	7031
	H	Violet	4003
	J	Beige	1001
	K	Curry	1027
	L	Yellow green	6018
	M	Pastel orange	2003
	O	Light green	6027

UNLESS OTHERWISE SPECIFIED TOLERANCES		APPROVAL		DATE	Amphenol
U.S.	METRIC	DRAWN	KAKA.Yang	2016/1/8	
.X +/-	0.50	CHECKED	Wilber	1/8/16	TITLE HSD R/A PLUG LOW PROFILE CONNECTOR SMT TYPE, WEST LOCATION
.XX +/-	0.25	CHECKED			
.XXX +/-	0.20	DRAWING FILE: S:\PE Master\DRAWING\HSD\HSDWXRPPCB18X-rev1.DWG			SIZE A3
FRACTIONS +/-		REMOVE SHARP EDGES			DRAWING NO. HSDWXRPPCB18X
ANGLES +/-	5°	DIMENSIONS			REV. 1
FOR MATERIALS AND FINISHES SEE NOTES		ANGLE OF PROJECTION			SCALE 1:1
REMOVE SHARP EDGES		DIMENSIONS			SHEET 1 OF 1
DIMENSIONS		U.S. INCHES			
U.S. INCHES		METRIC MM			

X-ON Electronics

Largest Supplier of Electrical and Electronic Components

Click to view similar products for [Automotive Connectors](#) category:

Click to view products by [Amphenol](#) manufacturer:

Other Similar products are found below :

[003-018-000](#) [60403001](#) [60993906-B](#) [M902-2131](#) [M902-2161](#) [72.330.1035.1](#) [73.353.4028.0](#) [F119300-B](#) [F166900](#) [F258300-B](#) [F358300-B](#)
[F407400](#) [F444110](#) [F487000](#) [F509500B-B](#) [827153-1](#) [8N1515-32-24P](#) [9-1326729-8](#) [925474-1](#) [928905-1](#) [964562-4](#) [968782-1](#) [GT17SA-8DS-](#)
[HU](#) [98891-1012](#) [98947-1016](#) [12004475-L](#) [12010290](#) [12010309-B](#) [12015454](#) [12020219-B](#) [12020308](#) [12041318-B](#) [12052225-L](#) [12052466](#)
[12059125](#) [12064869](#) [12004327-B](#) [12010503-B](#) [12015308](#) [12015384](#) [12015909](#) [1-21030-1](#) [12041254](#) [12041318](#) [12047946-B](#) [12047957](#)
[12047957-L](#) [12059473](#) [12066261](#) [12110546](#)