

High temperature accelerometer

HT786A

SPECIFICATIONS

Sensitivity, ±5%, 25°C		100 mV/g
Acceleration range, VDC > 25 V		80 g peak
Amplitude nonlinearity		1%
Frequency response:	±5%	3 - 5,000 Hz
	±10%	1 - 9,000 Hz
	±3 dB	0.5 - 14,000 Hz
Resonance frequency, nominal		30 kHz
Transverse sensitivity, max		5% of axial
Temperature response:	-25°C	-10%
	+150°C	+15%
Power requirement:		
Voltage source		18 - 30 VDC
Current regulating diode		2 - 10 mA
Electrical noise, equiv. g:	25°C	
	150°C	
	Broadband 2.5 Hz to 25 kHz	700 µg
	Spectral 10 Hz	10 µg/√Hz
	100 Hz	5 µg/√Hz
	1,000 Hz	5 µg/√Hz
Output impedance, max		100 Ω
Bias output voltage:	+25°C	13 VDC
	+150°C	12 VDC
Grounding		case isolated, internally shielded
Temperature range¹		-50° to +165°C
Vibration limit		500 g peak
Shock limit		5,000 g peak
Electromagnetic sensitivity, equiv. g, max		70 µg/gauss
Sealing		hermetic
Base strain sensitivity, max		0.0002 g/µstrain
Sensing element design		PZT, shear
Weight		90 grams
Case material		316L stainless steel
Mounting		1/4-28 UNF tapped hole
Output connector		2 pin, MIL-C-5015 style

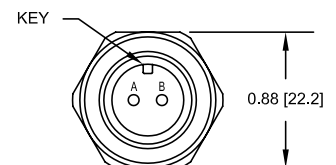
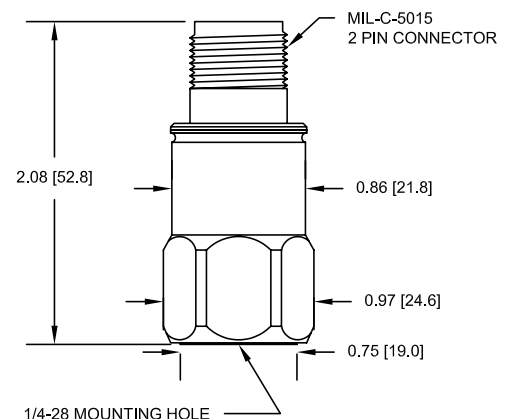
Notes: ¹ Dependent on current supply. BOV, dynamic range and noise may vary.

Accessories supplied: SF6 mounting stud (metric mounting available); calibration data (level 2)



Key features

- Operation in environments up to 165°C
- Built with extended range components for long-lasting operation
- Manufactured in ISO 9001 facility



Connections	
Function	Connector pin
power/signal	A
common	B
ground	shell



Note: Due to continuous process improvement, specifications are subject to change without notice. This document is cleared for public release.

X-ON Electronics

Largest Supplier of Electrical and Electronic Components

Click to view similar products for [Accelerometers](#) category:

Click to view products by [Amphenol](#) manufacturer:

Other Similar products are found below :

[AD22372Z-RL7](#) [805M1-0050-01](#) [MXC6655XA](#) [MMA7455LT](#) [805M1-0200-01](#) [810M1-0025X](#) [3038-0050](#) [832M1-0050](#) [805-0050](#)
[AD22301](#) [ADXL354BEZ](#) [SCA620-EF8H1A-1](#) [MC3413](#) [MXC6244AU](#) [3038-0500](#) [ACH-01-04/10](#) [4692](#) [735T](#) [787-500](#) [787AM8](#) [793-6](#)
[793L](#) [997-M4](#) [HV101](#) [HV102](#) [HV200](#) [PC420AR-10](#) [PC420VP-50](#) [PC420VR-10](#) [786A](#) [786A-IS](#) [787A](#) [787A-IS](#) [HT786A](#) [HT787A](#)
[PC420VP-10](#) [ADCMXL1021-1BMLZ](#) [ADIS16003CCCZ](#) [ADIS16228CMLZ](#) [ADXL700WBRWZ-RL](#) [ADXL103CE-REEL](#) [ADXL203CE-](#)
[REEL](#) [ADXL206HDZ](#) [ADXL213AE](#) [ADXL213AE-REEL](#) [ADXL288WBRDZ-RL](#) [ADXL295WBRDZ-RL](#) [ADXL326BCPZ-RL7](#)
[ADXL337BCPZ-RL7](#) [ADXL344ACCZ-RL7](#)