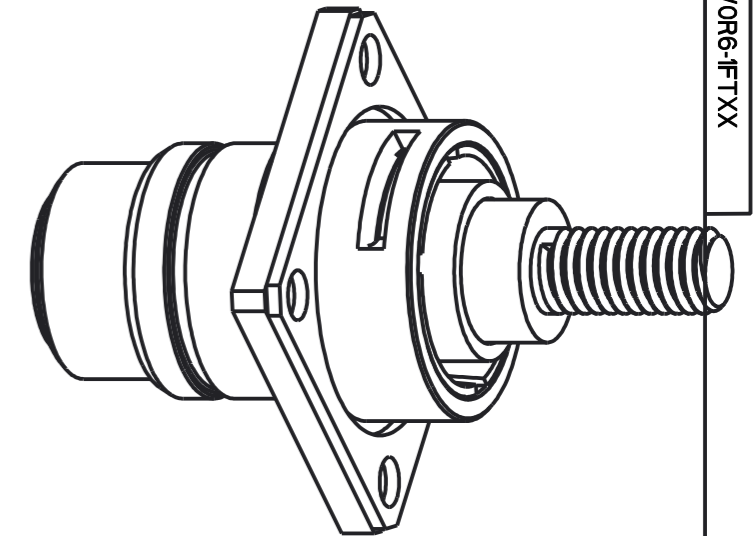
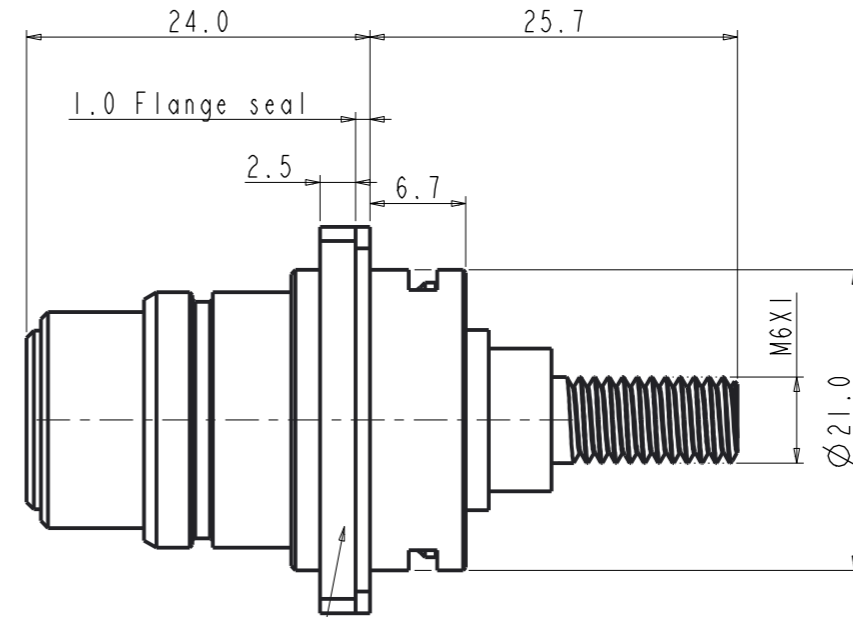
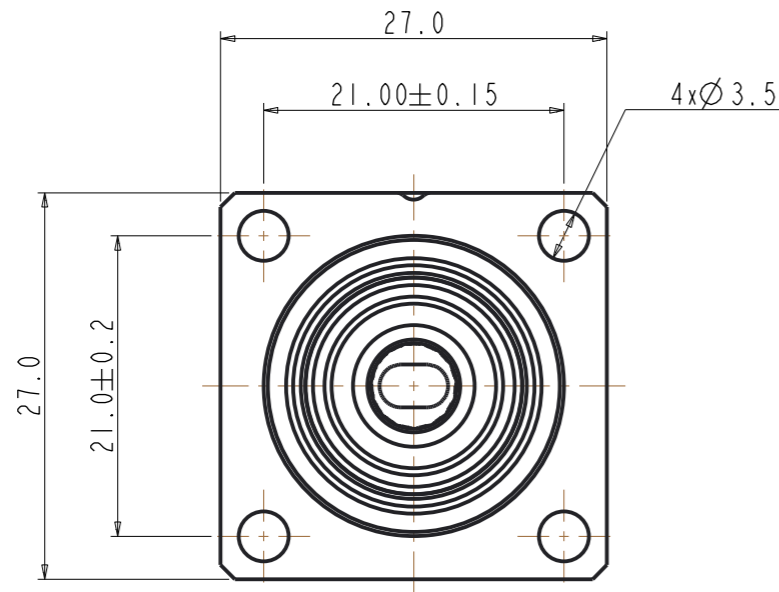


REV	ECN	DESCRIPTION	DATE	MODIFIED
A		FIRST RELEASE	2012.06.01	G.TANG

CUSTOMER DRAWING



FLANGE SURFACE CAN BE MADE DIFFERENT COLOR

NOTE:
 About the ** stand for in part number HVOR6-IFT**
 -The first * stand for key angle(see table 1)
 -Another * represent color of flange surface(see table 2)

Table 1

P/N	KEY ANGLE
X	90°
Y	180°
Z	135°
W	120°
U	155°
N	NO KEY

Table 2

CODE	COLOR
BK	BLACK
RD	RED
Y	YELLOW
G	GREEN
BL	BLUE
(DEFAULT)	NICKEL

TECHNICAL DATA :	
CURRENT RATE (25MM ² CABLE)	120A
UL RATING VOLTAGE	230VAC, 400VDC
OPERATING TEMPERATURE	-40~125°C
DIELECTRIC WITHSTANDING VOLTAGE	2500V AC
INSULATION RESISTANCE	2000MEGOHMS MIN. (25°C)
DURABILITY	500 CYCLES
SHIELDING	---
WATERPROOF (mated condition)	IP 67
AMBIENT TEMPERATURE	-40~70°C

DIMENSIONS	TOLERANCES	PROJECTION	TITLE		
ANSI Y14.5M UNITS: MM Pro/E FILE	.X ±0.2 .XX ±0.10 ANGLES ±0.5°		RECEPTACLE CONNECTOR		
ORIGINAL NOT FOR CUSTOMER DISTRIBUTION	THIS DOCUMENT CONTAINS PROPRIETARY INFORMATION WHICH IS THE CONFIDENTIAL PROPERTY OF AMPHENOL PCD SHENZHEN		Amphenol Pcd Shenzhen		REV
			ENGR S.YAO 2009.12.15	SIZE A3	DWG NO. HVOR6-IFTXX
			CHKD	APPD	CODE: 58982
					SCALE: 2:1
					SHEET 1 OF 1

HVOR6-IFTXX

HVOR6-IFTXX

X-ON Electronics

Largest Supplier of Electrical and Electronic Components

Click to view similar products for [Standard Circular Connector](#) category:

Click to view products by [Amphenol](#) manufacturer:

Other Similar products are found below :

[600273N007](#) [6134-336-13149](#) [6134-337-11149](#) [6134-337-2390](#) [6134-341-17149](#) [67-02E12-60PX](#) [680-SMG](#) [CXS3102A181S](#)
[D38999/20FC8SA L/C](#) [75-190216-08S](#) [75-190611-03S](#) [75-474014-05S](#) [75-474618-04S](#) [75-474620-07P](#) [799539-000](#) [805-005-07NF11-19PC](#)
[805-005-07NF15-7PA](#) [FMP.2M.310.XLCT](#) [836783-1](#) [862256-1](#) [866857-1](#) [867865-1](#) [PT08P-14-19S](#) [PT08P-14-5S](#) [QCM019PC2DC012B](#)
[121583-0217](#) [121667-0020](#) [RD10A16-19-P6CS051/1](#) [RD16A14-12-S6CS051/2](#) [1301240268](#) [1301240275](#) [1301860906](#) [DCU-08BFEA-](#)
[LL7001](#) [RM15WTP-CP\(5\)\(71\)](#) [14482](#) [16283-18](#) [1877910-1](#) [206039-3](#) [206323-1](#) [207002-2](#) [207682-1](#) [CA06COME14SA7P](#) [211777-1](#) [JL04-](#)
[1012CK\(05\)-R](#) [JL04V-2A28-11PE-R](#) [JL04V-2E10SL-3PE-B-R](#) [JL04V-2E20-15PE-B-R](#) [JL04V-2E20-4PE-B-R](#) [JL04V-2E24-10PE\(G\)-B-R](#)
[JL04V-6A24-11SE-EB-R](#)