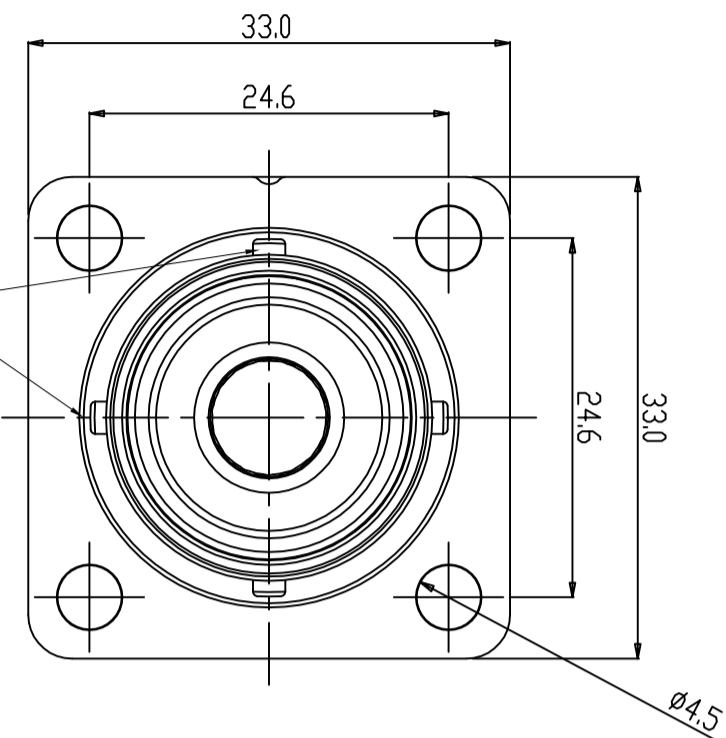
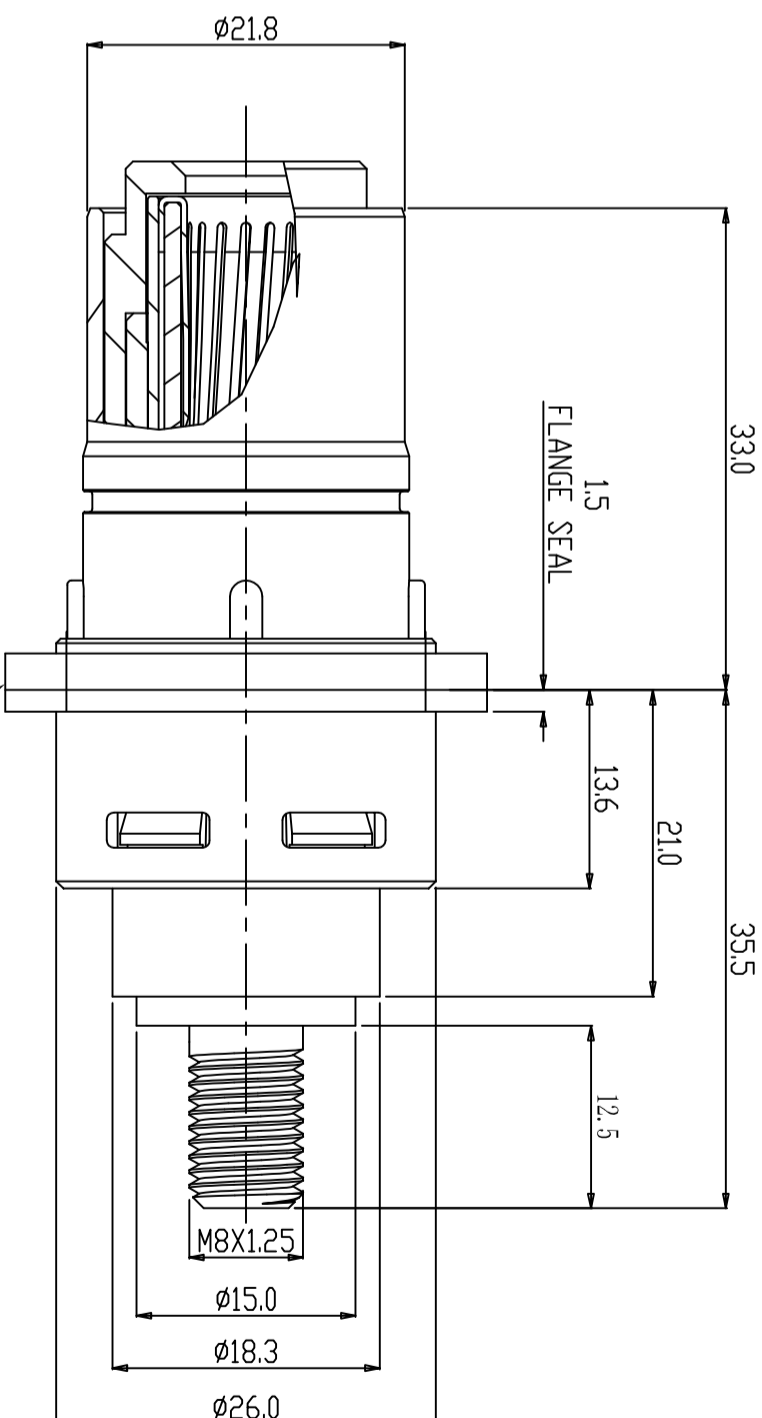


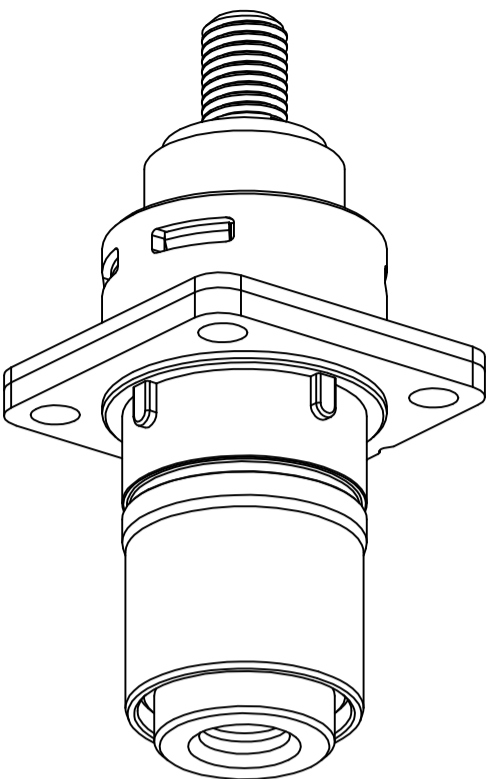
REV	ECN	DESCRIPTION	DATE	MODIFIED
B		FIRST RELEASE	2014.08.21	SEVN.TAD



ANGLE OF THE KEYS
(TD PREVENT MISPLUG)



COLOR IDENTIFICATION AREA



TECHNICAL DATA	
CURRENT RATE (50MM ² CABLE)	180A
UL RATING VOLTAGE	630V DC/400V AC
OPERATING TEMPERATURE	-40-125°C
DIELECTRIC WITHSTANDING VOLTAGE	3500V AC
INSULATION RESISTANCE	200MEGΩHMS MIN. (25°C)
DURABILITY	500 CYCLES
SHIELDING	---
WATERPROOF (WHEN MATED)	IP 67

ANGLE CODE	
P/N	ANGLE
HV0R7-1FTX	90°
HV0R7-1FTY	180°
HV0R7-1FTZ	135°
HV0R7-1FTW	120°
HV0R7-1FTU	155°
HV0R7-1FTN	ND

COLOR CODE	
P/N	COLOR
HV0R7-1FT*	ND
HV0R7-1FT*-BK	BLACK
HV0R7-1FT*-RD	RED
HV0R7-1FT*-BL	BLUE
HV0R7-1FT*-G	GREEN
HV0R7-1FT*-Y	YELLOW

DIMENSIONS	TOLERANCES	PROJECTION	TITLE	
ANSI Y14.5M UNITS: MM P/O/E FILE	X ± 0.3 XX ± 0.10 ANGLES ± 0.5°		SIZE	DWG NO.
ORIGINAL NOT FOR CUSTOMER DISTRIBUTION	THIS DOCUMENT CONTAINS PROPRIETARY INFORMATION WHICH IS THE CONFIDENTIAL PROPERTY OF AMPHENOL PCD SHENZHEN		A3	HV0R7-1FTXX
			CODE: 58982	SCALE: 3:2
			SHEET 1	DF 1
			REV	B

RECEPTACLE
THREAD TERMINATION, 8MM

Amphenol Pcd Shenzhen
ENGR
Sevn.Tao
2014.08.21

CHKD
APPD

X-ON Electronics

Largest Supplier of Electrical and Electronic Components

Click to view similar products for [Standard Circular Connector](#) category:

Click to view products by [Amphenol](#) manufacturer:

Other Similar products are found below :

[600273N007](#) [6134-336-13149](#) [6134-337-11149](#) [6134-337-2390](#) [6134-341-17149](#) [67-02E12-60PX](#) [680-SMG](#) [CXS3102A181S](#)
[D38999/20FC8SA L/C](#) [75-190216-08S](#) [75-190611-03S](#) [75-474014-05S](#) [75-474618-04S](#) [75-474620-07P](#) [799539-000](#) [805-005-07NF11-19PC](#)
[805-005-07NF15-7PA](#) [FMP.2M.310.XLCT](#) [836783-1](#) [862256-1](#) [866857-1](#) [867865-1](#) [PT08P-14-19S](#) [PT08P-14-5S](#) [QCM019PC2DC012B](#)
[121583-0217](#) [121667-0020](#) [RD10A16-19-P6CS051/1](#) [RD16A14-12-S6CS051/2](#) [1301240268](#) [1301240275](#) [1301860906](#) [DCU-08BFEA-](#)
[LL7001](#) [RM15WTP-CP\(5\)\(71\)](#) [14482](#) [16283-18](#) [1877910-1](#) [206039-3](#) [206323-1](#) [207002-2](#) [207682-1](#) [CA06COME14SA7P](#) [211777-1](#) [JL04-](#)
[1012CK\(05\)-R](#) [JL04V-2A28-11PE-R](#) [JL04V-2E10SL-3PE-B-R](#) [JL04V-2E20-15PE-B-R](#) [JL04V-2E20-4PE-B-R](#) [JL04V-2E24-10PE\(G\)-B-R](#)
[JL04V-6A24-11SE-EB-R](#)