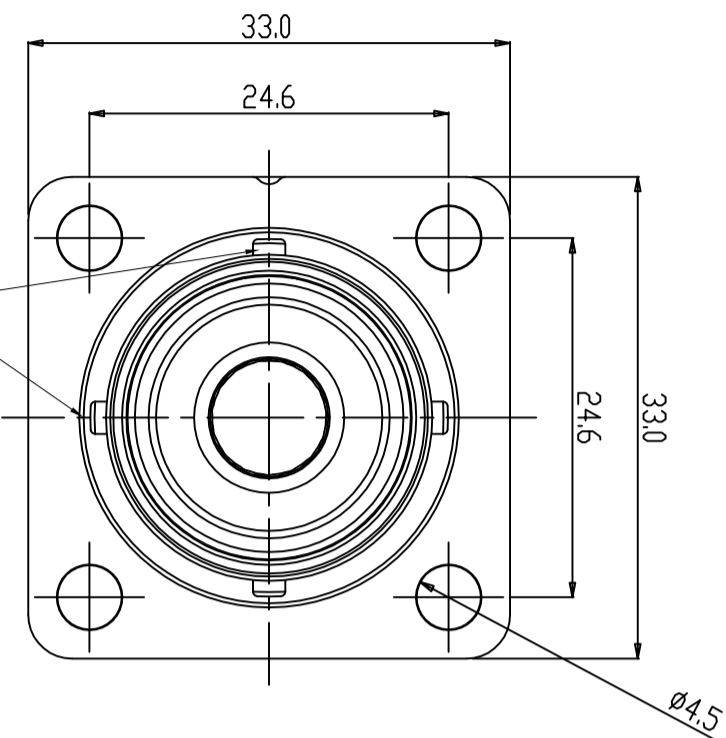
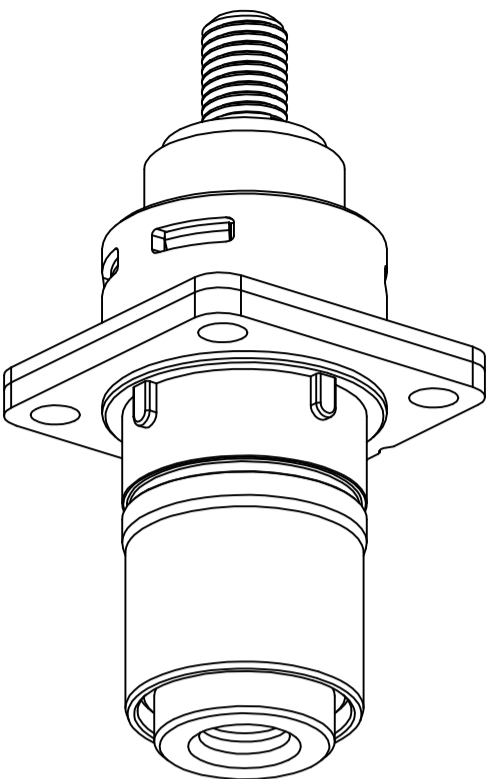
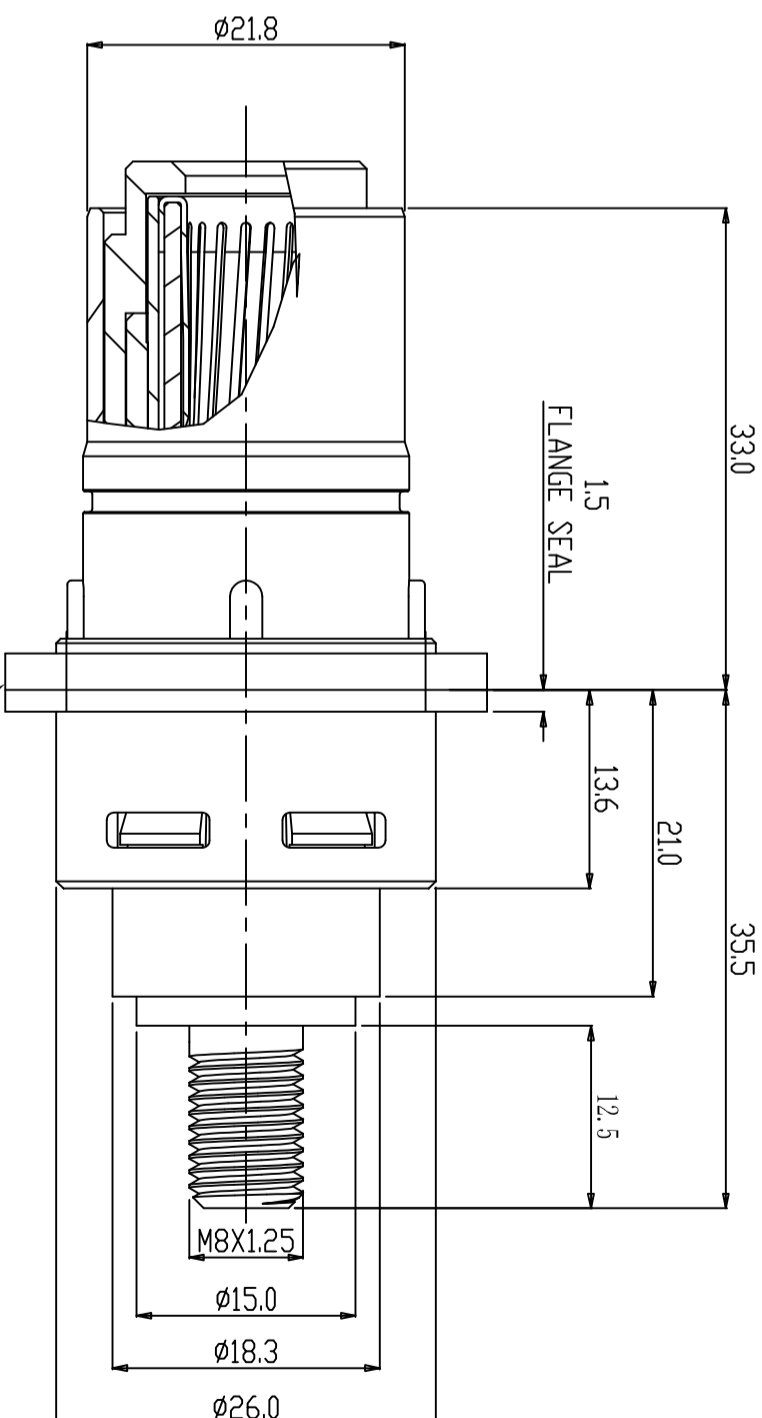


REV	ECN	DESCRIPTION	DATE	MODIFIED
B		FIRST RELEASE	2014.08.21	SEVN.TAD



ANGLE OF THE KEYS
(TO PREVENT MISPLUG)



TECHNICAL DATA	
CURRENT RATE (50MM ² CABLE)	180A
UL RATING VOLTAGE	630V DC/400V AC
OPERATING TEMPERATURE	-40-125°C
DIELECTRIC WITHSTANDING VOLTAGE	3500V AC
INSULATION RESISTANCE	200MEGΩHMS MIN. (25°C)
DURABILITY	500 CYCLES
SHIELDING	---
WATERPROOF (WHEN MATED)	IP 67

ANGLE CODE	
P/N	ANGLE
HV0R7-1FTX	90°
HV0R7-1FTY	180°
HV0R7-1FTZ	135°
HV0R7-1FTW	120°
HV0R7-1FTU	155°
HV0R7-1FTN	ND

COLOR CODE	
P/N	COLOR
HV0R7-1FT*	ND
HV0R7-1FT*-BK	BLACK
HV0R7-1FT*-RD	RED
HV0R7-1FT*-BL	BLUE
HV0R7-1FT*-G	GREEN
HV0R7-1FT*-Y	YELLOW

DIMENSIONS	TOLERANCES	PROJECTION
ANSI Y14.5M UNITS: MM PRO/E FILE	X ± 0.3 XX ± 0.10 ANGLES ± 0.5°	

ORIGINAL NOT FOR CUSTOMER DISTRIBUTION	THIS DOCUMENT CONTAINS PROPRIETARY INFORMATION WHICH IS THE CONFIDENTIAL PROPERTY OF AMPHENOL PCD SHENZHEN
Amphenol Pcd Shenzhen	CHKD APPD
ENGR Sevni.Tao	2014.08.21

TITLE
RECEPTACLE
THREAD TERMINATION, 8MM

SIZE A3	DWG NO. HV0R7-1FTXX	REV B
CODE: 58982	SCALE: 3:2	SHEET 1 OF 1

X-ON Electronics

Largest Supplier of Electrical and Electronic Components

Click to view similar products for [Standard Circular Connector](#) category:

Click to view products by [Amphenol](#) manufacturer:

Other Similar products are found below :

[600273N007](#) [6134-336-13149](#) [6134-337-11149](#) [6134-337-2390](#) [6134-341-17149](#) [67-02E12-60PX](#) [680-SMG](#) [CXS3102A181S](#)
[D38999/20FC8SA L/C](#) [75-190216-08S](#) [75-190611-03S](#) [75-474014-05S](#) [75-474618-04S](#) [75-474620-07P](#) [799539-000](#) [805-005-07NF11-19PC](#)
[805-005-07NF15-7PA](#) [FMP.2M.310.XLCT](#) [836783-1](#) [862256-1](#) [866857-1](#) [867865-1](#) [PT08P-14-19S](#) [PT08P-14-5S](#) [QCM019PC2DC012B](#)
[121583-0217](#) [121667-0020](#) [RD10A16-19-P6CS051/1](#) [RD16A14-12-S6CS051/2](#) [1301240268](#) [1301240275](#) [1301860906](#) [DCU-08BFEA-](#)
[LL7001](#) [RM15WTP-CP\(5\)\(71\)](#) [14482](#) [16283-18](#) [1877910-1](#) [206039-3](#) [206323-1](#) [207002-2](#) [207682-1](#) [CA06COME14SA7P](#) [211777-1](#) [JL04-](#)
[1012CK\(05\)-R](#) [JL04V-2A28-11PE-R](#) [JL04V-2E10SL-3PE-B-R](#) [JL04V-2E20-15PE-B-R](#) [JL04V-2E20-4PE-B-R](#) [JL04V-2E24-10PE\(G\)-B-R](#)
[JL04V-6A24-11SE-EB-R](#)