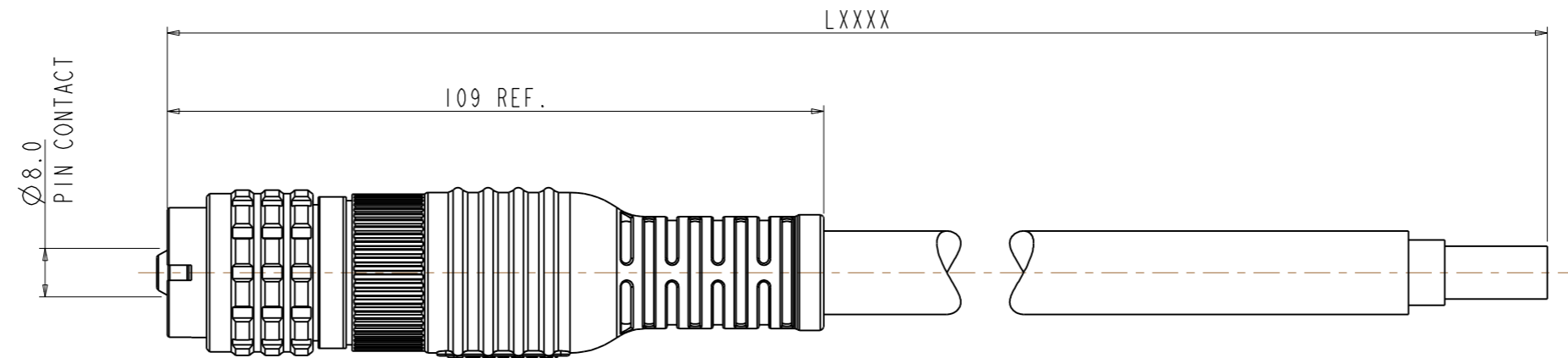
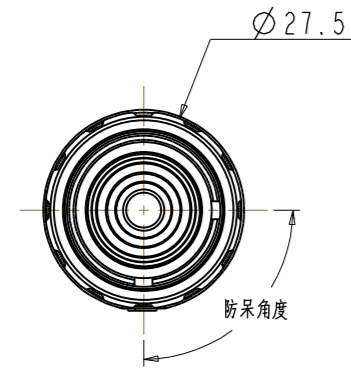


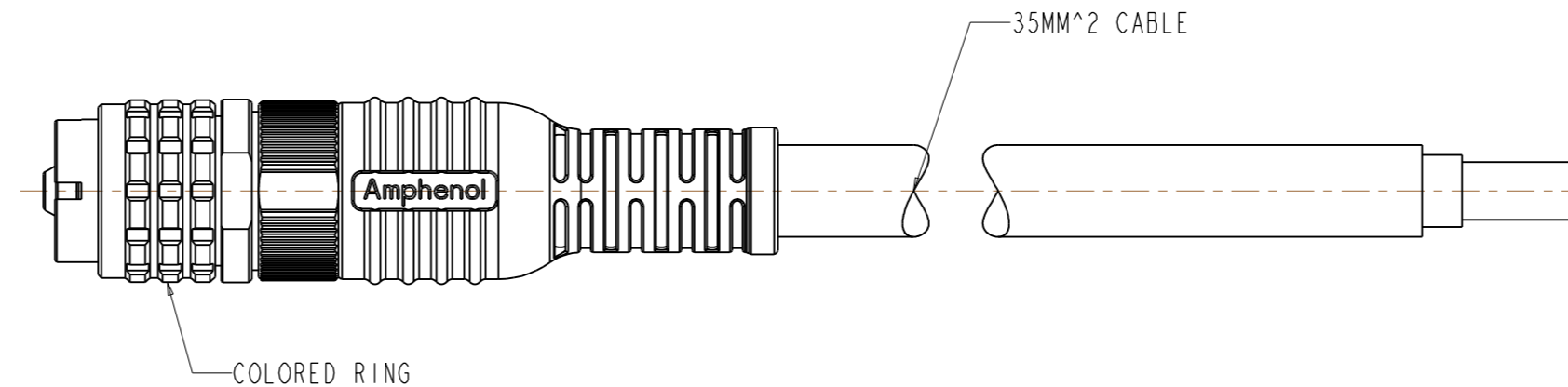
REV	ECN	DESCRIPTION	DATE	MODIFIED
A		PRE-RELEASE	2012.09.13	G.TANG

# CUSTOMER DRAWING

LXXXX=ORDERED CALBE LENGTH (MM)



P/N 料号	对应防呆角度
HV7R8-IMCX-FG-35LXXXX	90°
HV7R8-IMCY-FG-35LXXXX	180°
HV7R8-IMCZ-FG-35LXXXX	135°
HV7R8-IMCW-FG-35LXXXX	120°
HV7R8-IMCU-FG-35LXXXX	155°
HV7R8-IMCN-FG-35LXXXX	无角度



P/N 代码	对应颜色
HV7R8-IMCX-R-FG-35LXXXX	RED
HV7R8-IMCY-FG-35LXXXX	BLACK
HV7R8-IMCZ-B-FG-35LXXXX	BLUE
HV7R8-IMCW-G-FG-35LXXXX	GREEN
HV7R8-IMCN-W-FG-35LXXXX	WHITE
HV7R8-IMCU-Y-FG-35LXXXX	YELLOW

TECHNICAL DATA 技术参数:	
CURRENT RATE 额定电流	150A
OPERATING VOLTAGE 工作电压	230VAC, 400VDC
OPERATING TEMPERATURE 工作温度	-40-125°C
DIELECTRIC WITHSTANDING VOLTAGE 绝缘耐压	2500V AC
INSULATION RESISTANCE 绝缘阻抗	2000MEGOHMS MIN. (25°C)
DURABILITY 机械寿命	500 CYCLES
SHIELDING 屏蔽	---
WATERPROOF (mated condition) 防水等级 (插头插座安装后)	IP 67
AMBIENT TEMPERATURE 环境温度	-40~70°C

<b>DIMENSIONS</b> ANSI Y14.5M UNITS: MM Pro/E FILE	<b>TOLERANCES</b> .X ±0.2 .XX ±0.10 ANGLES ±0.5°	<b>PROJECTION</b> 	Amphenol Pcd Shenzhen ENGR <b>G.TANG</b> 2012.09.13		<b>TITLE</b>  <b>PLUG CABLE ASSEMBLY WITH 35MM^2 CABLE</b>			
			CHKD APPD	SIZE <b>A3</b>				DWG NO. <b>HV7R8-IMCX-FG-35LXXXX</b>
<b>ORIGINAL</b> NOT FOR CUSTOMER DISTRIBUTION			THIS DOCUMENT CONTAINS PROPRIETARY INFORMATION WHICH IS THE CONFIDENTIAL PROPERTY OF AMPHENOL PCD SHENZHEN			CODE: 58982	SCALE: 1:1	SHEET 1 OF 1

HV7R8-IMCX-FG-35LXXXX

HV7R8-IMCX-FG-35LXXXX

## X-ON Electronics

Largest Supplier of Electrical and Electronic Components

*Click to view similar products for [Standard Circular Connector](#) category:*

*Click to view products by [Amphenol](#) manufacturer:*

Other Similar products are found below :

[600273N007](#) [6134-336-13149](#) [6134-337-11149](#) [6134-337-2390](#) [6134-341-17149](#) [67-02E12-60PX](#) [680-SMG](#) [CXS3102A181S](#)  
[D38999/20FC8SA L/C](#) [75-190216-08S](#) [75-190611-03S](#) [75-474014-05S](#) [75-474618-04S](#) [75-474620-07P](#) [799539-000](#) [805-005-07NF11-19PC](#)  
[805-005-07NF15-7PA](#) [FMP.2M.310.XLCT](#) [836783-1](#) [862256-1](#) [866857-1](#) [867865-1](#) [PT08P-14-19S](#) [PT08P-14-5S](#) [QCM019PC2DC012B](#)  
[121583-0217](#) [121667-0020](#) [RD10A16-19-P6CS051/1](#) [RD16A14-12-S6CS051/2](#) [1301240268](#) [1301240275](#) [1301860906](#) [DCU-08BFEA-](#)  
[LL7001](#) [RM15WTP-CP\(5\)\(71\)](#) [14482](#) [16283-18](#) [1877910-1](#) [206039-3](#) [206323-1](#) [207002-2](#) [207682-1](#) [CA06COME14SA7P](#) [211777-1](#) [JL04-](#)  
[1012CK\(05\)-R](#) [JL04V-2A28-11PE-R](#) [JL04V-2E10SL-3PE-B-R](#) [JL04V-2E20-15PE-B-R](#) [JL04V-2E20-4PE-B-R](#) [JL04V-2E24-10PE\(G\)-B-R](#)  
[JL04V-6A24-11SE-EB-R](#)