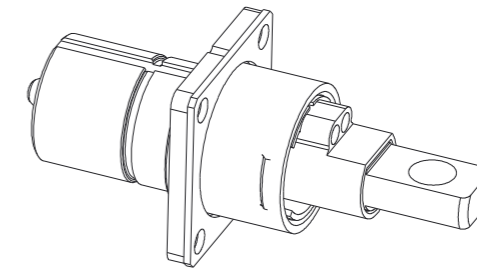
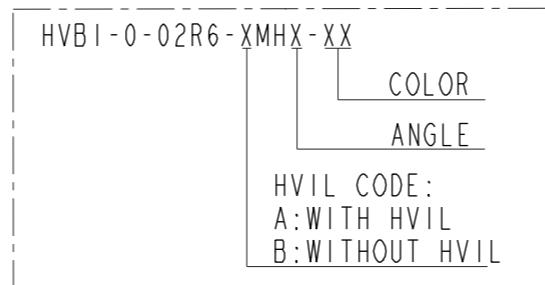
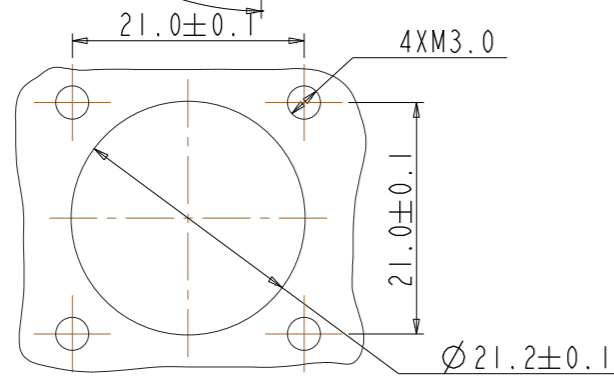
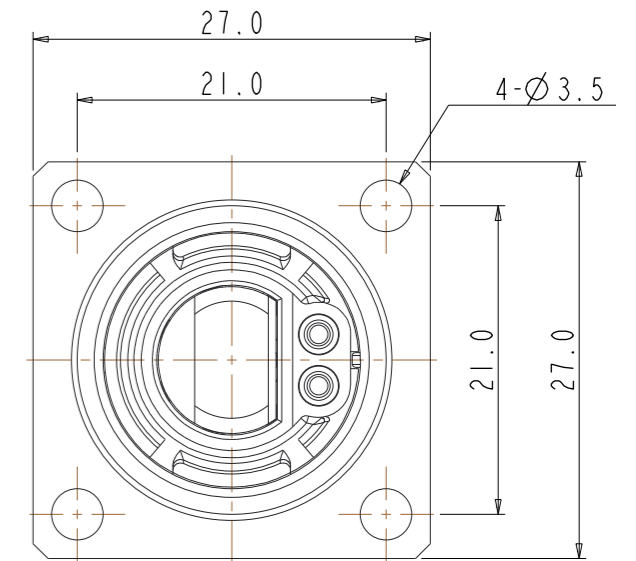
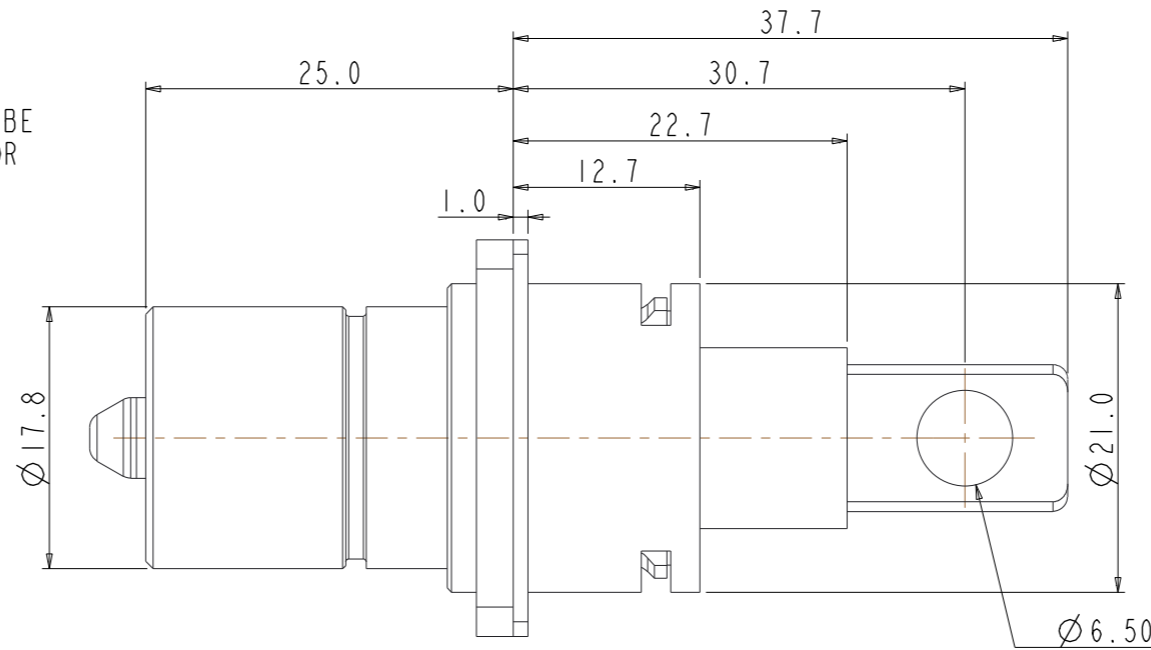
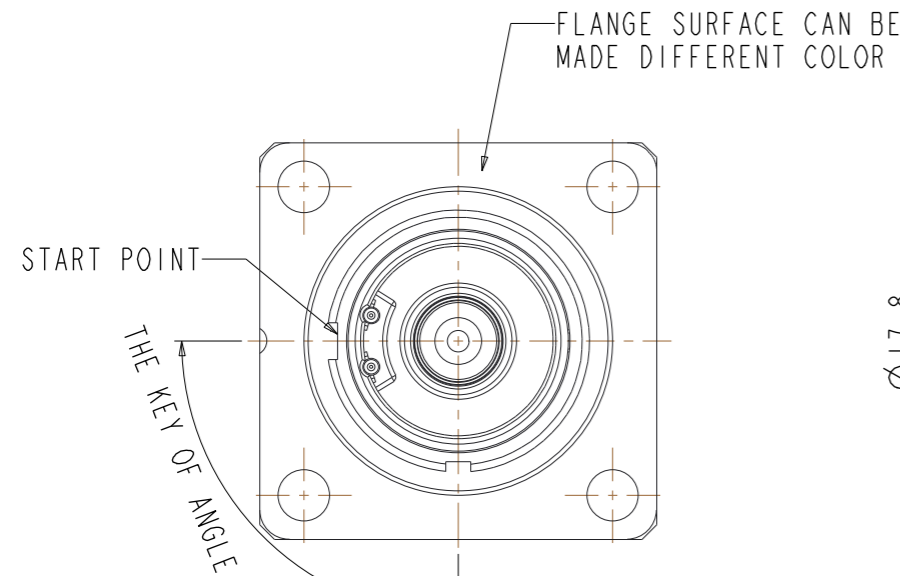


CUSTOMER DRAWING

REV	ECN	DESCRIPTION	DATE	MODIFIED
D		UPDATE	2016.06.07	ROY.QU



HVBI-0-02R6-XMHX-XX

HVBI-0-02R6-XMHX-XX

PANEL CUT-OUT REFERENCE

TECHNICAL DATA	
CURRENT RATE(25MM ² CABLE)	UP TO 120A
CURRENT RATE(20MM ² CABLE)	UP TO 100A
CURRENT RATE(16MM ² CABLE)	UP TO 80A
UL RATING VOLTAGE (OVERVOLTAGE CATEGORY II POLLUTION DEGREE 2)	1000V DC
OPERATING TEMPERATURE	-40~125°C
DIELECTRIC WITHSTANDING VOLTAGE	3000V AC
INSULATION RESISTANCE	2000MΩ MIN. 25°C, NO CABLE
DURABILITY	200 CYCLES
SHIELDING	--
WATERPROOF(MATED CONDITION)	IP 67
PROTECTION LEVEL	IP2XB
AMBIENT TEMPERATURE	-40~70°C

WIHT HVIL		
P/N	DESCRIPTION	
	KEY OF ANGLE	FLANGE SURFACE COLOR
HVBI-0-02R6-AMHA-RD	30°	RED
HVBI-0-02R6-AMHB-BK	60°	BLACK
HVBI-0-02R6-AMHC-YL	90°	YELLOW
HVBI-0-02R6-AMHD-GR	120°	GREEN
HVBI-0-02R6-AMHE-BL	150°	BLUE
HVBI-0-02R6-AMHF-PU	180°	PURPLE

WIHTOUT HVIL		
P/N	DESCRIPTION	
	KEY OF ANGLE	FLANGE SURFACE COLOR
HVBI-0-02R6-BMHA-RD	30°	RED
HVBI-0-02R6-BMHB-BK	60°	BLACK
HVBI-0-02R6-BMHC-YL	90°	YELLOW
HVBI-0-02R6-BMHD-GR	120°	GREEN
HVBI-0-02R6-BMHE-BL	150°	BLUE
HVBI-0-02R6-BMHF-PU	180°	PURPLE

DIMENSIONS ANSI Y14.5M UNITS: MM Pro/E FILE	TOLERANCES X ±0.3 XX ±0.10 ANGLES ±0.5°	PROJECTION 	Amphenol Pcd Shenzhen		TITLE HVBI-R6 RECEPTACLE		
			ENGR ROY.QU	2016.06.07			
ORIGINAL NOT FOR CUSTOMER DISTRIBUTION	THIS DOCUMENT CONTAINS PROPRIETARY INFORMATION WHICH IS THE CONFIDENTIAL PROPERTY OF AMPHENOL PCD SHENZHEN		CHKD	SIZE A3	DWG NO. HVBI-0-02R6-XMHX-XX	REV D	
			APPD	CODE: 58982	SCALE: 2:1	SHEET 1 OF 1	

X-ON Electronics

Largest Supplier of Electrical and Electronic Components

Click to view similar products for [Standard Circular Connector](#) category:

Click to view products by [Amphenol](#) manufacturer:

Other Similar products are found below :

[600273N007](#) [6134-336-13149](#) [6134-337-11149](#) [6134-337-2390](#) [6134-341-17149](#) [67-02E12-60PX](#) [680-SMG](#) [CXS3102A181S](#)
[D38999/20FC8SA L/C](#) [75-190216-08S](#) [75-190611-03S](#) [75-474014-05S](#) [75-474618-04S](#) [75-474620-07P](#) [799539-000](#) [805-005-07NF11-19PC](#)
[805-005-07NF15-7PA](#) [FMP.2M.310.XLCT](#) [836783-1](#) [862256-1](#) [866857-1](#) [867865-1](#) [PT08P-14-19S](#) [PT08P-14-5S](#) [QCM019PC2DC012B](#)
[121583-0217](#) [121667-0020](#) [RD10A16-19-P6CS051/1](#) [RD16A14-12-S6CS051/2](#) [1301240268](#) [1301240275](#) [1301860906](#) [DCU-08BFEA-](#)
[LL7001](#) [RM15WTP-CP\(5\)\(71\)](#) [14482](#) [16283-18](#) [1877910-1](#) [206039-3](#) [206323-1](#) [207002-2](#) [207682-1](#) [CA06COME14SA7P](#) [211777-1](#) [JL04-](#)
[1012CK\(05\)-R](#) [JL04V-2A28-11PE-R](#) [JL04V-2E10SL-3PE-B-R](#) [JL04V-2E20-15PE-B-R](#) [JL04V-2E20-4PE-B-R](#) [JL04V-2E24-10PE\(G\)-B-R](#)
[JL04V-6A24-11SE-EB-R](#)