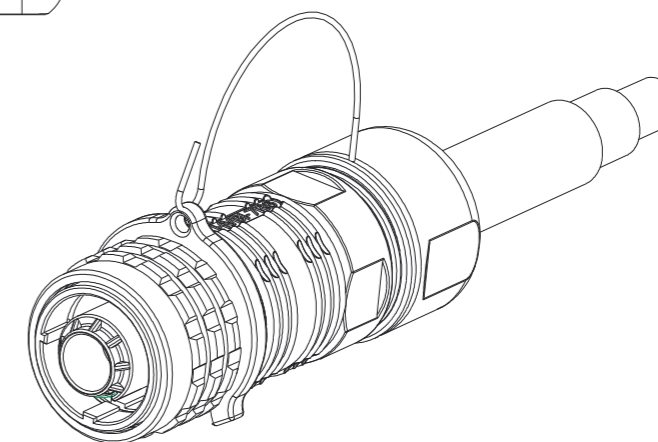
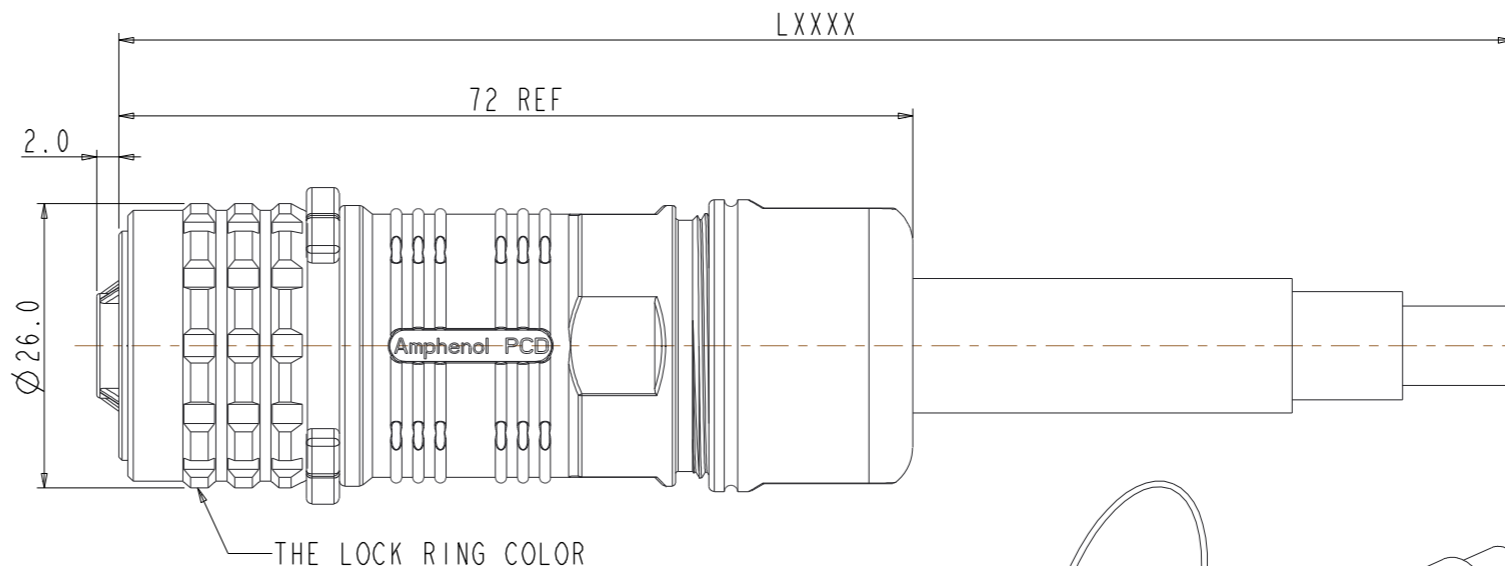
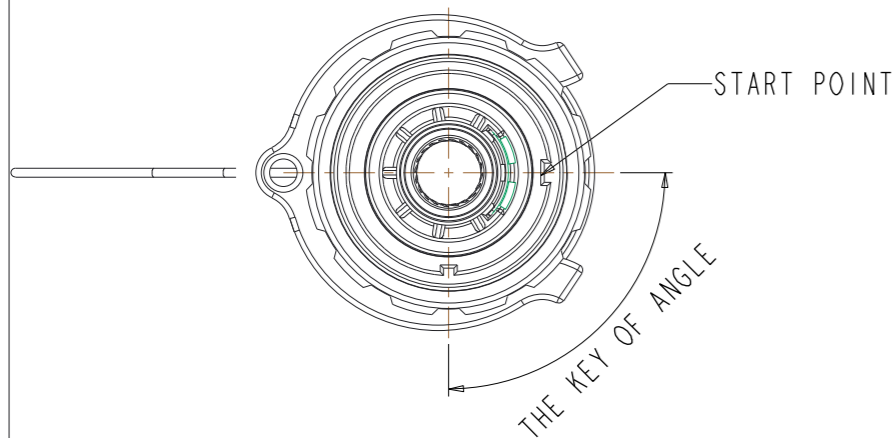
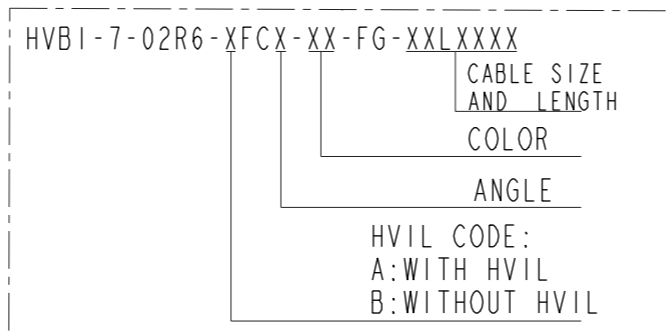


| REV | ECN | DESCRIPTION | DATE | MODIFIED |
|-----|-----|-------------|------------|----------|
| D | | UPDATE | 2016.06.07 | ROY.QU |

CUSTOMER DRAWING



| SCOPE OF CABLE OUTSIDE DIAMETER | |
|---------------------------------|------------------|
| SIZE | OUTSIDE DIAMETER |
| 25MM ² WITH SHIELD | 11.5~13.0 MM |
| 20MM ² WITH SHIELD | 11.0~12.0 MM |
| 16MM ² WITH SHIELD | 10.9~12.0 MM |



HVBI-7-02R6-XFCX-XX-FGXXLXXXX

HVBI-7-02R6-XFCX-XX-FGXXLXXXX

| TECHNICAL DATA | |
|--|-------------------------------|
| CURRENT RATE(25MM ² CABLE) | UP TO 120A |
| CURRENT RATE(20MM ² CABLE) | UP TO 100A |
| CURRENT RATE(16MM ² CABLE) | UP TO 80A |
| UL RATING VOLTAGE (OVERVOLTAGE CATEGORY II POLLUTION DEGREE 2) | 1000V DC |
| OPERATING TEMPERATURE | -40~125°C |
| DIELECTRIC WITH STANDING VOLTAGE | 3000V AC |
| INSULATION RESISTANCE | 2000MΩ MIN. 25°C, NO CABLE |
| DURABILITY | 200 CYCLES |
| SHIELDING | YES |
| WATERPROOF(MATED CONDITION) | IP 67 |
| PROTECTION LEVEL | IP2XB |
| AMBIENT TEMPERATURE | -40~70°C |

| WIHT HVIL | | |
|-------------------------------|--------------|-----------------|
| P/N | DESCRIPTION | |
| | KEY OF ANGLE | LOCK RING COLOR |
| HVBI-702R6-AFCA-RD-FG-25L0000 | 30° | RED |
| HVBI-702R6-AFCB-BK-FG-25L0000 | 60° | BLACK |
| HVBI-702R6-AFCC-YL-FG-25L0000 | 90° | YELLOW |
| HVBI-702R6-AFCD-GR-FG-25L0000 | 120° | GREEN |
| HVBI-702R6-AFCE-BL-FG-25L0000 | 150° | BLUE |
| HVBI-702R6-AFCF-PU-FG-25L0000 | 180° | PURPLE |

| WIHTOUT HVIL | | |
|-------------------------------|--------------|-----------------|
| P/N | DESCRIPTION | |
| | KEY OF ANGLE | LOCK RING COLOR |
| HVBI-702R6-BFCA-RD-FG-25L0000 | 30° | RED |
| HVBI-702R6-BFCB-BK-FG-25L0000 | 60° | BLACK |
| HVBI-702R6-BFCC-YL-FG-25L0000 | 90° | YELLOW |
| HVBI-702R6-BFCD-GR-FG-25L0000 | 120° | GREEN |
| HVBI-702R6-BFCE-BL-FG-25L0000 | 150° | BLUE |
| HVBI-702R6-BFCF-PU-FG-25L0000 | 180° | PURPLE |

| DIMENSIONS | TOLERANCES | PROJECTION | TITLE | |
|---|--|------------|----------------------------------|-------------------------|
| ANSI Y14.5M UNITS: MM Pro/E FILE | X ±0.3 XX ±0.10 ANGLES ±0.5° | | Amphenol Pcd Shenzhen | |
| ORIGINAL NOT FOR CUSTOMER DISTRIBUTION | THIS DOCUMENT CONTAINS PROPRIETARY INFORMATION WHICH IS THE CONFIDENTIAL PROPERTY OF AMPHENOL PCD SHENZHEN | | ENGR | ROY.QU 2016.06.07 |
| | | | CHKD | |
| | | | APPD | |
| | | | SIZE | DWG NO. |
| | | | A3 HVBI-7-02R6-XFCX-XX-FGXXLXXXX | |
| | | | REV | D |
| | | | CODE: 58982 | SCALE: 2:1 SHEET 1 OF 1 |

X-ON Electronics

Largest Supplier of Electrical and Electronic Components

Click to view similar products for [Automotive Connectors](#) category:

Click to view products by [Amphenol](#) manufacturer:

Other Similar products are found below :

[003-018-000](#) [60403001](#) [60993906-B](#) [M902-2131](#) [M902-2161](#) [72.330.1035.1](#) [73.353.4028.0](#) [F119300-B](#) [F166900](#) [F258300-B](#) [F358300-B](#)
[F407400](#) [F444110](#) [F487000](#) [F509500B-B](#) [827153-1](#) [8N1515-32-24P](#) [9-1326729-8](#) [925474-1](#) [928905-1](#) [964562-4](#) [968782-1](#) [GT17SA-8DS-](#)
[HU](#) [98891-1012](#) [98947-1016](#) [12004475-L](#) [12010290](#) [12010309-B](#) [12015454](#) [12020219-B](#) [12020308](#) [12041318-B](#) [12052225-L](#) [12052466](#)
[12059125](#) [12064869](#) [12004327-B](#) [12010503-B](#) [12015308](#) [12015384](#) [12015909](#) [1-21030-1](#) [12041254](#) [12041318](#) [12047946-B](#) [12047957](#)
[12047957-L](#) [12059473](#) [12066261](#) [12110546](#)