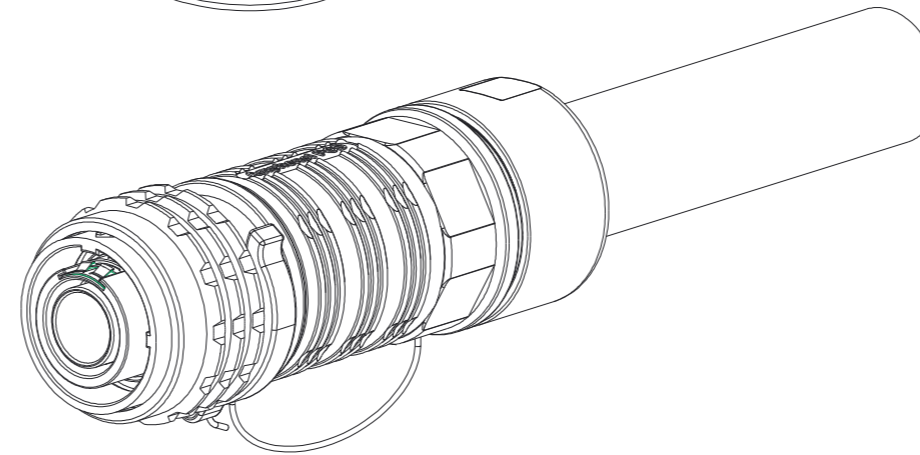
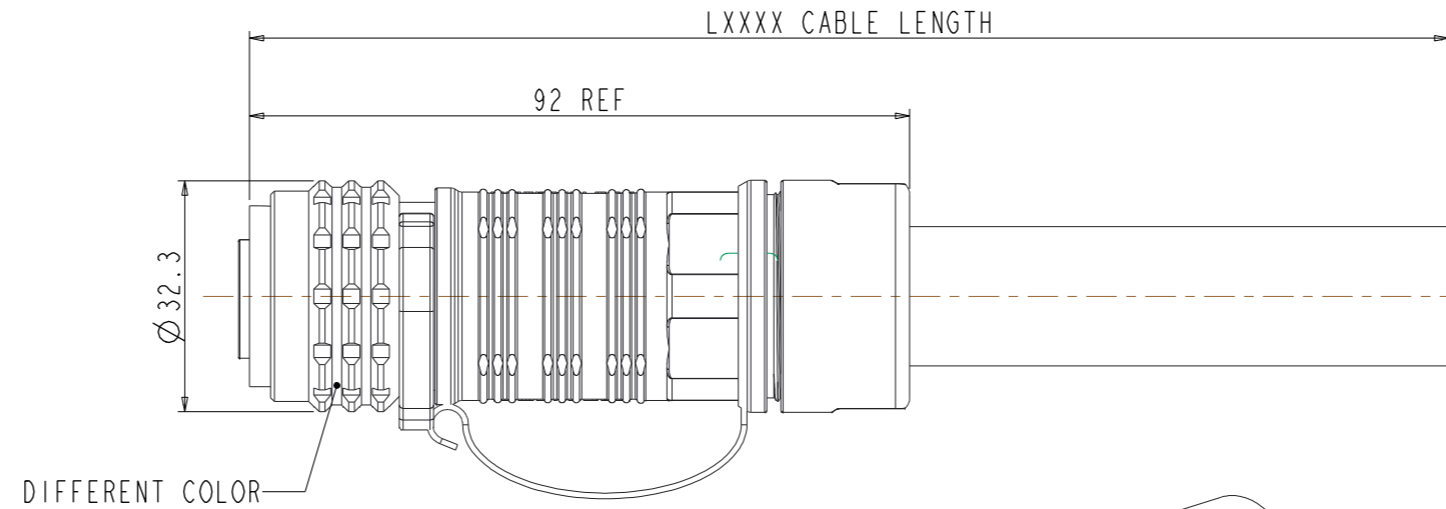
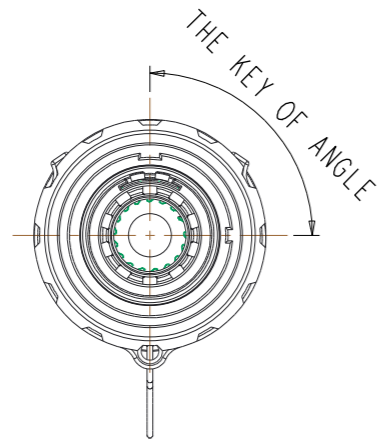


REV	ECN	DESCRIPTION	DATE	MODIFIED
A		PRE-RELEASE	2016.03.25	SEVN.TAO

**CUSTOMER DRAWING**



HOW TO ORDER THE PLUG

HVBI7-05R10-XFCX-XX-FGXXLXXXX

1 2 3 4 5

1. HVIL CODE:  
A: WITH HVIL  
B: WITHOUT HVIL
2. ANGLE
3. COLOR
4. CABLE SIZE :  
70: 70MM<sup>2</sup> CABLE (OD DEMAND 18.5 TO 20MM)  
50: 50MM<sup>2</sup> CABLE (OD DEMAND 16 TO 17.5MM)
5. LXXXX: CABLE LENGTH(MM)

HVBI7-05R10-XFCX-XX-FG-XXLXXXX

HVBI7-05R10-XFCX-XX-FG-XXLXXXX

TECHNICAL DATA	
CURRENT RATE(70MM <sup>2</sup> CABLE)	UP TO 250A
CURRENT RATE(50MM <sup>2</sup> CABLE)	UP TO 180A
UL RATING VOLTAGE (OVERVOLTAGE CATEGORY II POLLUTION DEGREE 2)	1000V DC
OPERATING TEMPERATURE	-40~125°C
DIELECTRIC WITHSTANDING VOLTAGE	3000V AC
INSULATION RESISTANCE	2000MΩ MIN. 25°C, NO CABLE
DURABILITY	200 CYCLES
SHIELDING	YES
WATERPROOF(MATED CONDITION)	IP 67
PROTECTION LEVEL	IP2XB
AMBIENT TEMPERATURE	-40~70°C

WIHT HVIL		
P/N	DESCRIPTION	
	KEY OF ANGLE	COLOR
HVBI7-05R10-AFCA-RD-FG-XXL0000	30°	RED
HVBI7-05R10-AFCB-BK-FG-XXL0000	60°	BLACK
HVBI7-05R10-AFCC-YL-FG-XXL0000	90°	YELLOW
HVBI7-05R10-AFCD-GR-FG-XXL0000	120°	GREEN
HVBI7-05R10-AFCE-BL-FG-XXL0000	150°	BLUE
HVBI7-05R10-AFCF-PU-FG-XXL0000	180°	PURPLE

WIHTOUT HVIL		
P/N	DESCRIPTION	
	KEY OF ANGLE	COLOR
HVBI7-05R10-BFCA-RD-FG-XXL0000	30°	RED
HVBI7-05R10-BFCB-BK-FG-XXL0000	60°	BLACK
HVBI7-05R10-BFCC-YL-FG-XXL0000	90°	YELLOW
HVBI7-05R10-BFCD-GR-FG-XXL0000	120°	GREEN
HVBI7-05R10-BFCE-BL-FG-XXL0000	150°	BLUE
HVBI7-05R10-BFCF-PU-FG-XXL0000	180°	PURPLE

<b>DIMENSIONS</b> ANSI Y14.5M UNITS: MM Pro/E FILE	<b>TOLERANCES</b> .X ±0.3 .XX ±0.20 ANGLES ±0.5°	<b>PROJECTION</b> 	<b>Amphenol Pcd Shenzhen</b>			<b>TITLE</b>  <b>HVBI-R10 STRAIGHT PLUG</b>		
			ENGR SEVN.TAO 2016.03.25  CHKD  APPD	SIZE <b>A3</b>	DWG NO. HVBI7-05R10-XFCX-XX-FG-XXLXXXX	REV <b>A</b>	CODE: 58982	SCALE: 2:1

**ORIGINAL**  
NOT FOR CUSTOMER DISTRIBUTION

THIS DOCUMENT CONTAINS PROPRIETARY INFORMATION WHICH IS THE CONFIDENTIAL PROPERTY OF AMPHENOL PCD SHENZHEN

## X-ON Electronics

Largest Supplier of Electrical and Electronic Components

*Click to view similar products for [Automotive Connectors](#) category:*

*Click to view products by [Amphenol](#) manufacturer:*

Other Similar products are found below :

[003-018-000](#) [60403001](#) [60993906-B](#) [M902-2131](#) [M902-2161](#) [72.330.1035.1](#) [73.353.4028.0](#) [F119300-B](#) [F166900](#) [F258300-B](#) [F358300-B](#)  
[F407400](#) [F444110](#) [F487000](#) [F509500B-B](#) [827153-1](#) [8N1515-32-24P](#) [9-1326729-8](#) [925474-1](#) [928905-1](#) [964562-4](#) [968782-1](#) [GT17SA-8DS-](#)  
[HU](#) [98891-1012](#) [98947-1016](#) [12004475-L](#) [12010290](#) [12010309-B](#) [12015454](#) [12020219-B](#) [12020308](#) [12041318-B](#) [12052225-L](#) [12052466](#)  
[12059125](#) [12064869](#) [12004327-B](#) [12010503-B](#) [12015308](#) [12015384](#) [12015909](#) [1-21030-1](#) [12041254](#) [12041318](#) [12047946-B](#) [12047957](#)  
[12047957-L](#) [12059473](#) [12066261](#) [12110546](#)