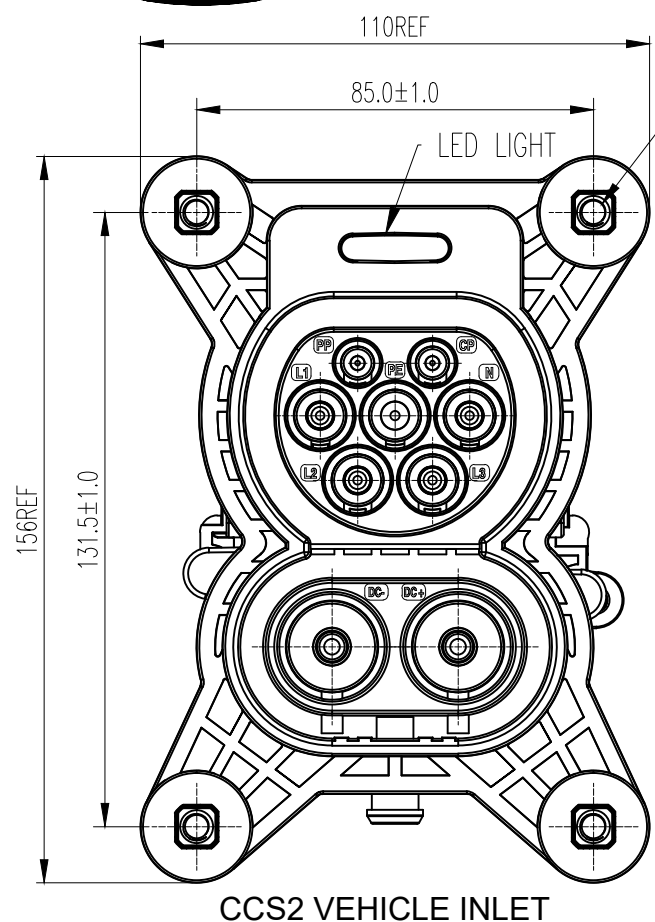
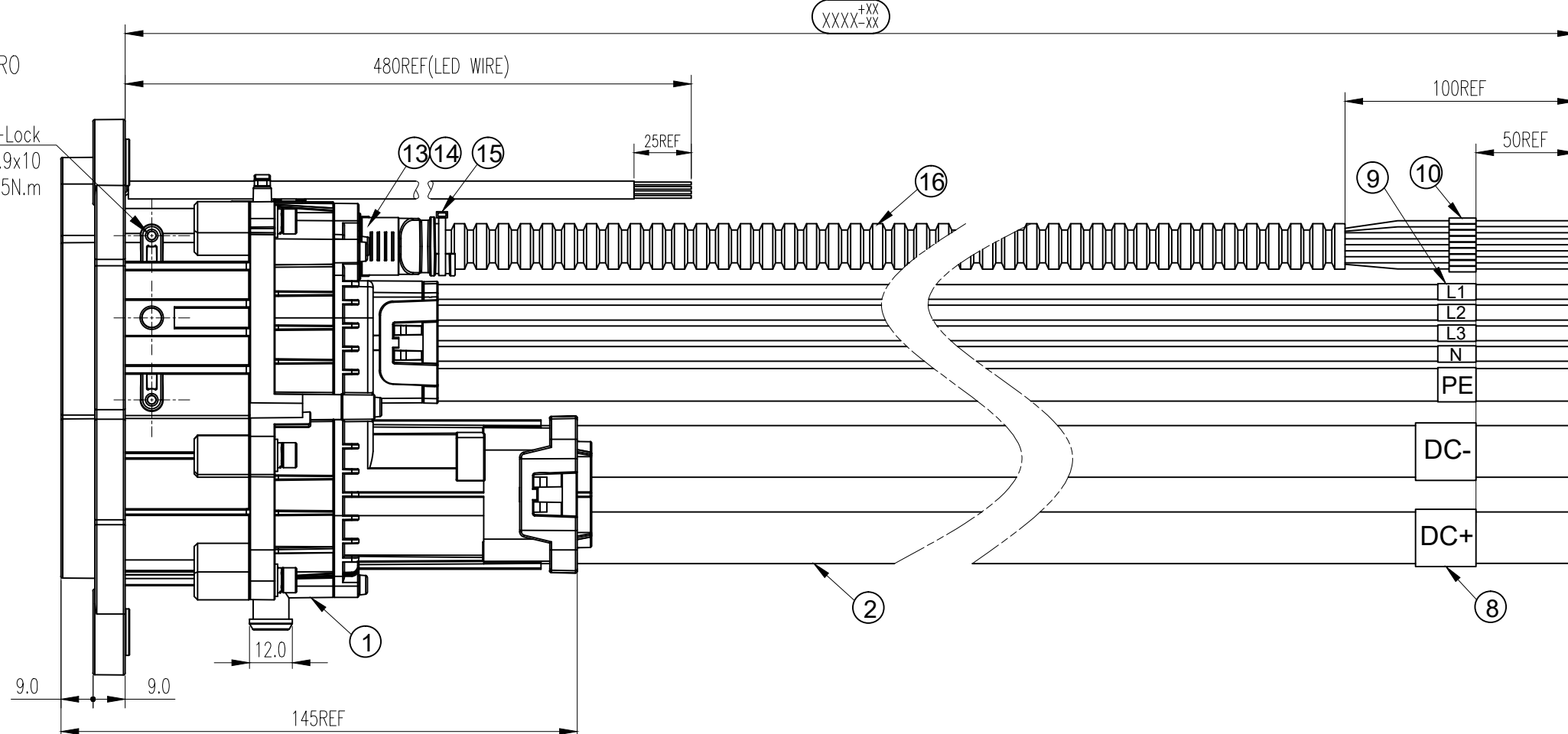


REV	ECN	DESCRIPTION	DATE	MODIFIED
1		PRE-RELEASE	Aug-04-2022	

Amphenol PCD SZ
ORIGINAL
PDF Format
R&D

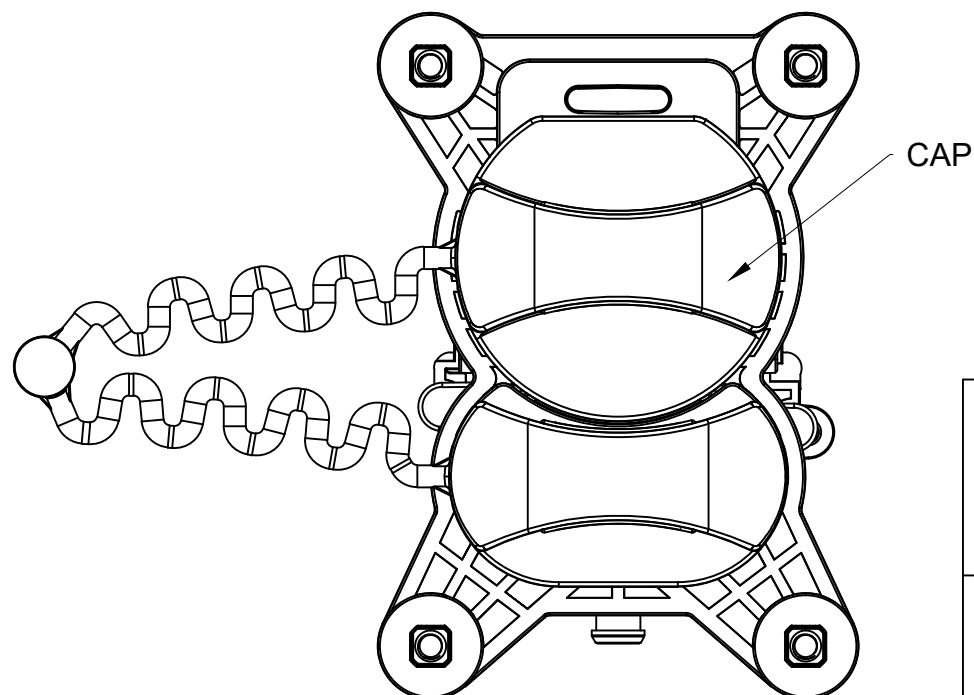


E-Lock
2xST2.9x10
THRO 0.5N.m



HVCOCF0212DNL XXXX

LENGTH	TOLERANCE
0~1000mm	+25 -10
1001~5000mm	+40 -10
>5000mm	+50 -20

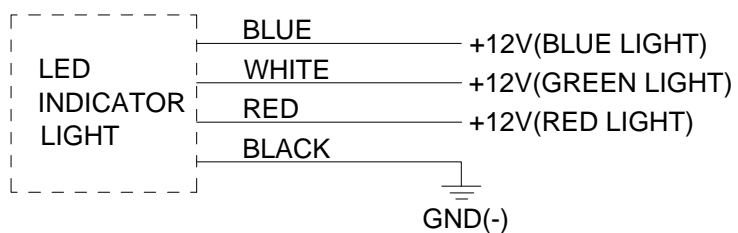


DIMENSIONS	TOLERANCES	PROJECTION	TITLE		
ANSI Y14.5M UNITS: MM CAD FILE	.X ± 0.5 .XX ± 0.05 ANGLES ± 2.0°		CCS2 Vehicle INLET DC1000V/500A; 3 PHASES AC480V/63A Cable Assembly		
ORIGINAL	THIS DOCUMENT CONTAINS PROPRIETARY INFORMATION WHICH IS THE CONFIDENTIAL PROPERTY OF Amphenol PCD Shenzhen Co. Ltd Amphenol PCD Shenzhen Co. Ltd RESERVES THE RIGHT TO CLARIFY THIS DRAWING	Amphenol PCD Shenzhen ENGR Aug-04-2022	SIZE A3	DWG NO. C-HVCOCF0212DNLXXXX	REV 1
		CHKD APPD	CODE: 58982	SCALE 1:1	SHEET 1 OF 2

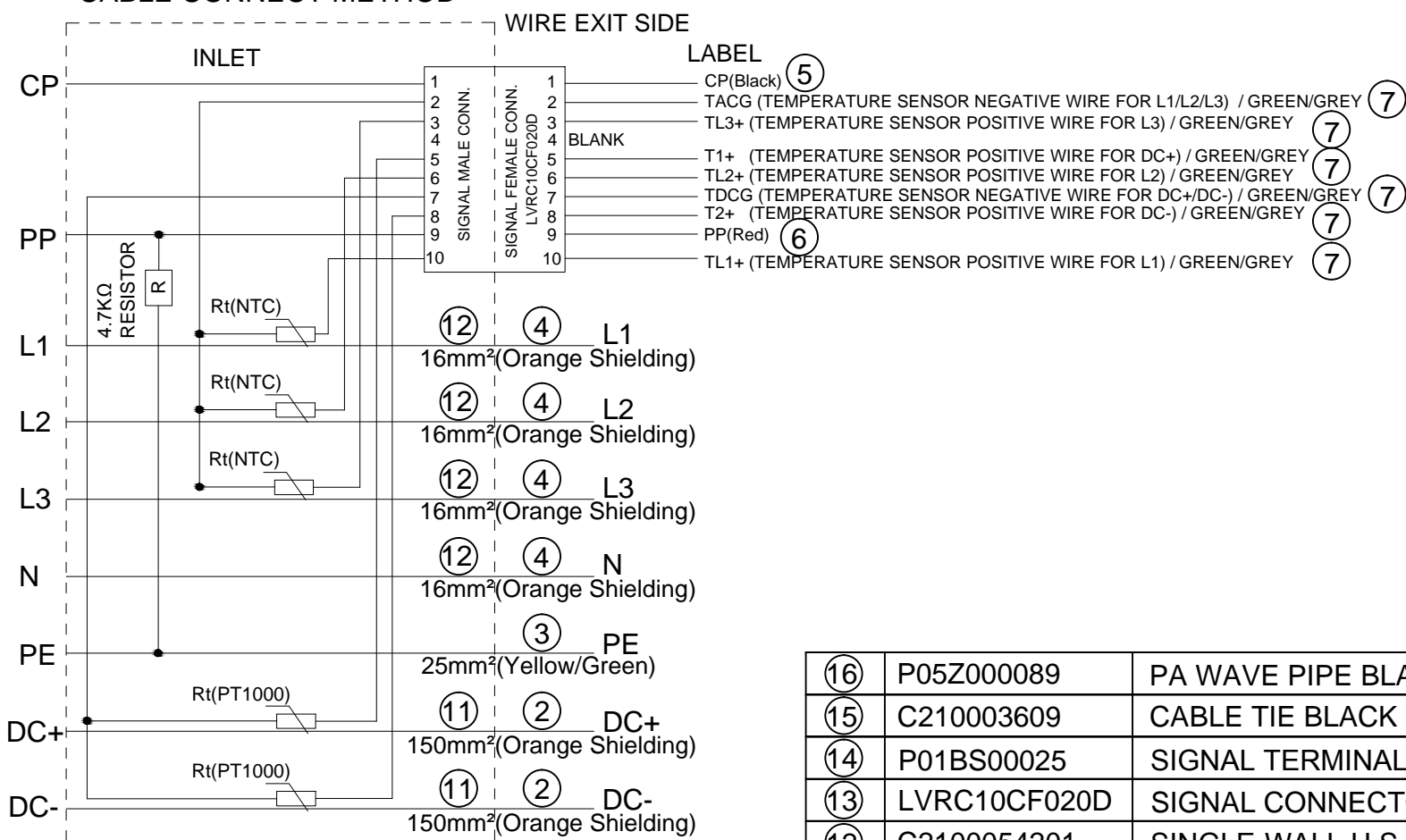
C-HVCOCF0212DNLXXXX

C-HVCOCF0212DNLXXXX

WIRE DIAGRAM FOR LED INDICATOR LIGHT



CABLE CONNECT METHOD



*Notes:

1.Cable assembly data:

★ Rated Voltage and Current:

1000V DC / 500A Max(DC+,DC-); When the charging current is more than 300A,

Recommend to use the charging gun with Liquid-cooled system

480V AC / 63A Max(L1,L2,L3,N);

30 V DC / 2A Max (CP,PP);

★ Insulation Resistance:100MΩ Min/DC1000V(DC+&DC-&PE&AC)

100MΩ Min/DC500V(PP&CP)

★ Dielectric Withstand Voltage:3000V/AC r.m.s/ DC+,DC-,PE

2000V/AC r.m.s/ L1,L2,L3,N

500V/AC r.m.s/ PP,CP

★ IP-Class: IP44(Mated)

IP55(With LIDS)

IP67(Connector Enclosure Tail)

◎Durability:10000 cycles.

★RoHS Compliance;

Ambient Temperature: -30°C ~ +50°C.

2.Connector reference: C-HVCOCF02XDN

3.Reference IEC 62196-3;

(16)	P05Z000089	PA WAVE PIPE BLACK 8.5*11.5mm	AR	m
(15)	C210003609	CABLE TIE BLACK 2.5X100mm	1	EA
(14)	P01BS00025	SIGNAL TERMINAL: P01BS00025 FOR 0.5-0.75mm ²	9	EA
(13)	LVRC10CF020D	SIGNAL CONNECTOR: LVRC10CF020D 10POS	1	EA
(12)	C2100054201	SINGLE-WALL H.S.T: Ø12mm BLACK	0.10	m
(11)	P05B000022	SINGLE-WALL H.S.T: Ø30mm BLACK	0.08	m
(10)	C210006837	SINGLE-WALL H.S.T: Ø3.2mm WHITE	0.15	m
(9)	C210006511	SINGLE-WALL H.S.T: Ø12mm WHITE	0.10	m
(8)	C210004342	SINGLE-WALL H.S.T: Ø30mm WHITE	0.06	m
(7)	P01BC00159	1C*0.75mm ² ,XLPE,OD1.8±0.1mm,GREEN/GREY	AR	m
(6)	P01BC00187	1C*0.75mm ² ,XLPE,OD1.8±0.1mm,RED	AR	m
(5)	P01BC00186	1C*0.75mm ² ,XLPE,OD1.8±0.1mm,BLACK	AR	m
(4)	P01BC00153	16mm ² SHIELDING,ORANGE,ID:6.95±0.20,OD:9.90±0.3	AR	m
(3)	P01BC00036	25mm ² UNSHIELDING, YELLOW/GREEN,OD:9.6±0.2	AR	m
(2)	P01BC00154	150mm ² SHIELDING, ORANGE, ID:20.6±0.5,OD:24.9±0.5	AR	m
(1)	HVCOCF0212DN	VEHICLE INLET: HVCOCF0212DN DC 500A,AC 63A,WITH CAP	1	EA
ITEM	P/N	DESCRIPTION	QTY	UNIT

SIZE	DWG NO.	REV
A3	C-HVCOCF0212DNLXXXX	1
CODE: 58982	SCALE 1:1	SHEET 2 OF 2

X-ON Electronics

Largest Supplier of Electrical and Electronic Components

Click to view similar products for [EV Charging Cables](#) category:

Click to view products by [Amphenol](#) manufacturer:

Other Similar products are found below :

[1628379](#) [1627133](#) [1627355](#) [1623508](#) [35054781](#) [35268956](#) [35054784](#) [35054782](#) [35054780](#) [35054788](#) [35058252](#) [73422795060](#)
[73422795030](#) [ECCV6323-050S0A](#) [ECCV3223-050S0A](#) [ECCV3221-050S0A](#) [J2CE8021-20S0A](#) [J2CE8021-25S0A](#) [J2CE8021-15S0A](#)
[J2CE3221-25L0A](#) [J2CE4021-25L0A](#) [J2CE4821-15L0A](#) [J2CE4821-20L0A](#) [J2CE4021-15L0A](#) [J2CE4021-20L0A](#) [J2CE3221-20L0A](#)
[J2CE3221-15L0A](#) [J2CE4821-20L0A-179](#) [J2CE3221-25L0A-179](#) [J2CE4021-20L0A-179](#) [J2CE4021-25L0A-179](#) [J2CE4021-15L0A-179](#)
[J2CE4821-15L0A-179](#) [J2CE3221-15L0A-179](#) [J2CE3221-20L0A-179](#) [1013994](#) [1018701](#) [1031379](#) [1051695](#) [1085631](#) [1085641](#) [1089931](#)
[1085642](#) [1085658](#) [1101121](#) [1101122](#) [1085638](#) [1095764](#) [1106966](#) [1107049](#)