

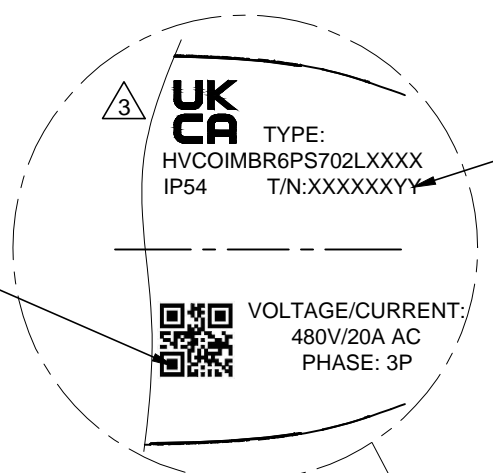
Amphenol PCD SZ
ORIGINAL
PDF Format
R&D

C-HVCOIMBR6PS702LXXXX

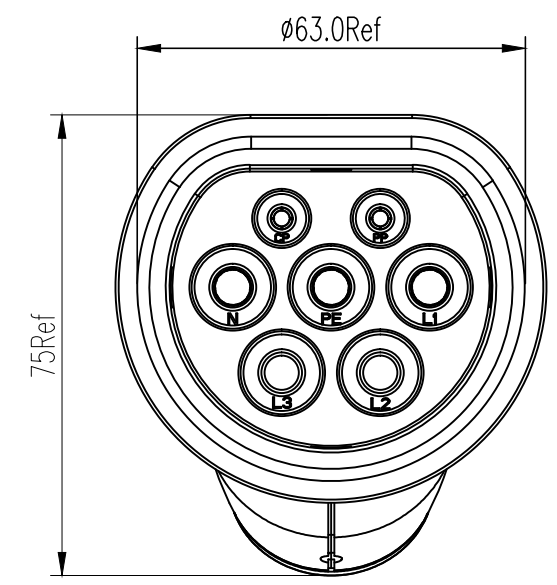
REV	ECN	DESCRIPTION	DATE	MODIFIED
1		PRE-RELEASE	2021.07.08	Max
2	R6051W	UPDATED MARKING AND IDENTIFIER	Jan-10-22	Max
3	R6627W	ADDED UKCA IDENTIFIER AND CAP	Oct-31-22	Max

Laser Marking

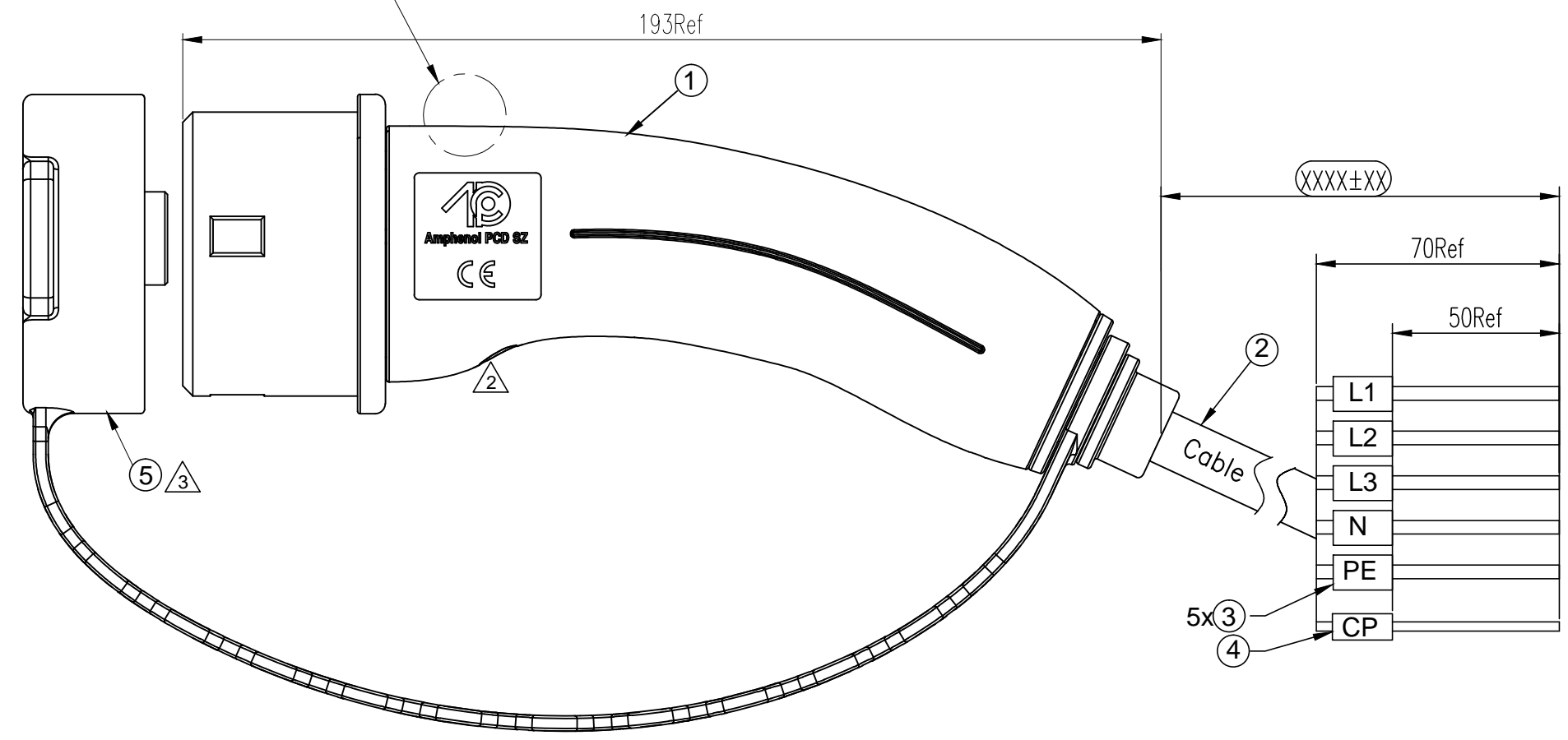
QR code,
content including:
Part number
+Product order number
+ Serial number ex:0001



Product order number
+ batch number



Vehicle connector

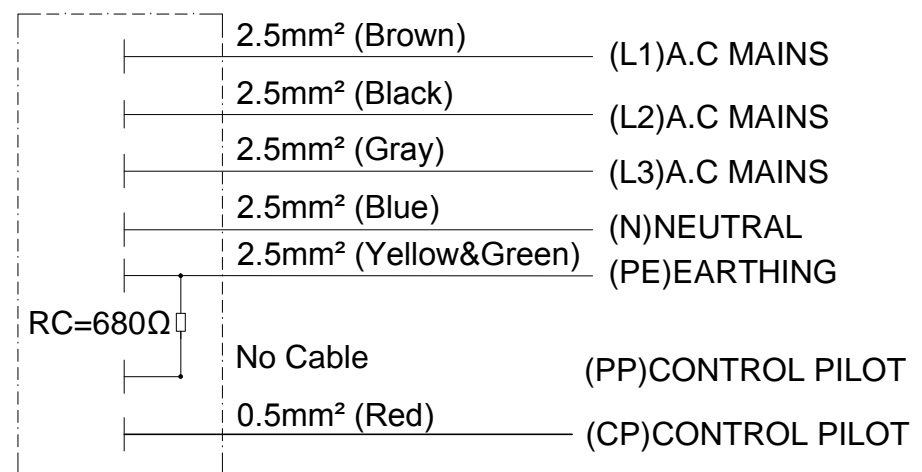


DIMENSIONS ANSI Y14.5M UNITS: MM	TOLERANCES .X ± 0.5 .XX ±0.05 ANGLES ±2.0°	PROJECTION 	Amphenol PCD Shenzhen		TITLE IEC VEHICLE CONNECTOR 20A 3-PHASE CABLE ASSEMBLY-POTTING		
			ENGR Max	Jan-10-2022			
ORIGINAL	THIS DOCUMENT CONTAINS PROPRIETARY INFORMATION WHICH IS THE CONFIDENTIAL PROPERTY OF Amphenol PCD Shenzhen Co. Ltd Amphenol PCD Shenzhen Co. Ltd RESERVES THE RIGHT TO CLARIFY THIS DRAWING	CHKD Rock.chen	SIZE A3	DWG NO. C-HVCOIMBR6PS702LXXXX	REV 3	SCALE 1:1 SHEET 1 OF 2	
			APPD Ben				

C-HVCOIMBR6PS702LXXXX

C-HVCOIMBR6PS702LXXXX

MODE OF CONNECTION:



Identifier:
Comply with EN17186
Position:

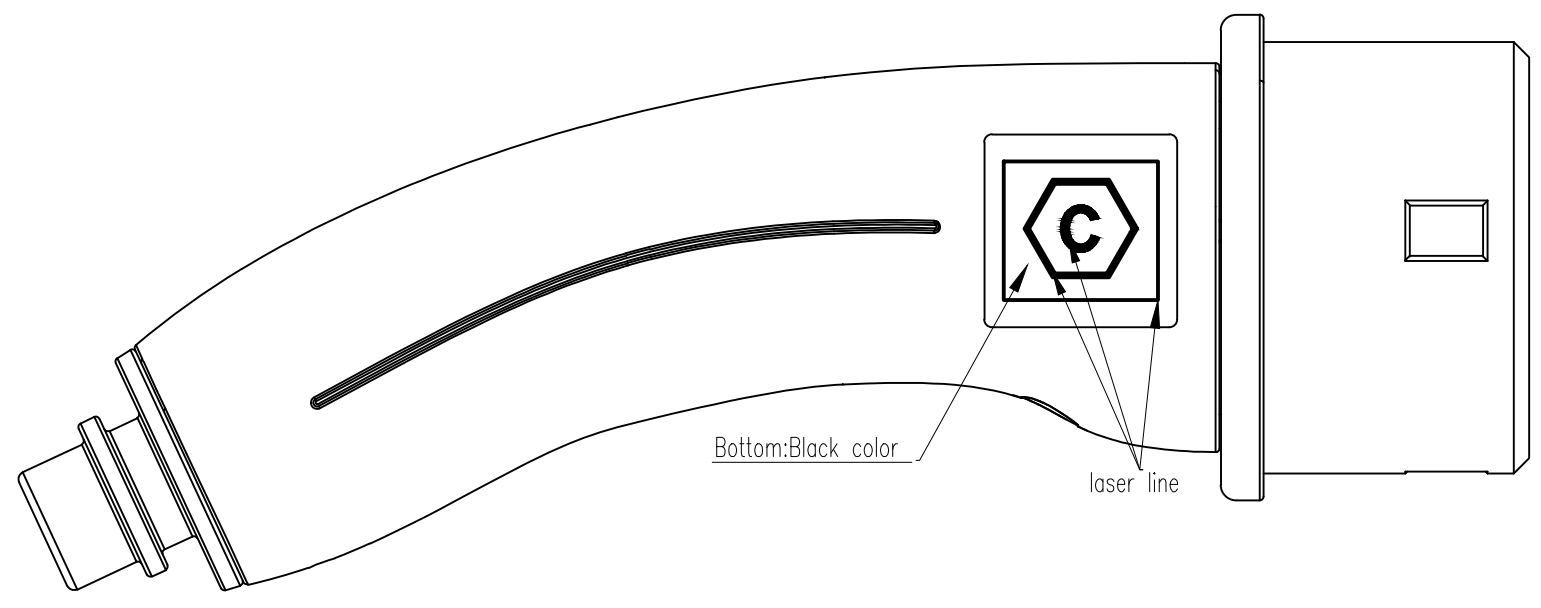
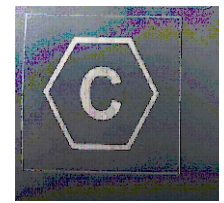
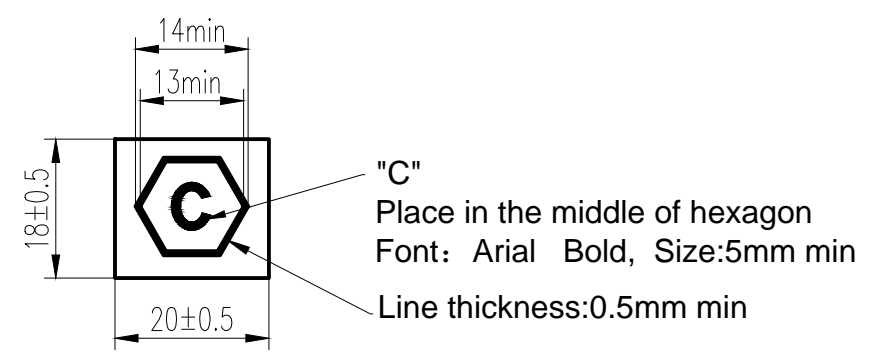


Photo see below:



Size see below:



- *Notes:**
- Cable assembly data:
 - Rated Voltage:480VAC(L1&L2&L3&N& PE),30V DC(PP & CP);
 - Rated Current:20A Max(L1&L2&L3&N),2A Max(PP & CP);
 - Insulation Resistance:100MΩ Min(DC500V);
 - Withstand Voltage:2000V/AC r.m.s;
 - IP-Class: IP54(with CAP fitted) IP55(when mated) IP67 for enclosure;
 - Comply With RoHS;
 - Durability: ≥ 10000 cycles;
 - Ambient Temperature: -30°C ~ +50°C;
 - IEC Plug reference: C-HVCOIMBR6PS702L0000;
 - Reference: IEC 62196-2 , EN17186;
 - Minimun bending radius:128mm;
 - HVCOIMBR6PS702LXXXX

Length(mm)	Tolerance
0~1000	±50
1001~5000	±100
>5000	±200

⑤	P01BP00382	△3	DUST CAP FOR VEHICLE CONNECTOR, BLACK	1	EA
④	P05B000002		SINGLE-WALL H.S.T: Ø2.5 WHITE	0.02	m
③	C210006837		SINGLE-WALL H.S.T: Ø3.2 WHITE	0.10	m
②	CABLE		5C*2.5mm² +1C*0.5mm² BK OD=12.8±0.4	AR	m
①	HVCOIMBR6PS702L0000		VEHICLE CONNECTOR, 3P,20A,BLACK	1	EA
ITEM	P/N		DESCRIPTION	QTY	UNIT

SIZE	DWG NO.	REV
A3	C-HVCOIMBR6PS702LXXXX	3
SCALE	1:1	SHEET 2 OF 2

C-HVCOIMBR6PS702LXXXX

C-HVCOIMBR6PS702LXXXX

X-ON Electronics

Largest Supplier of Electrical and Electronic Components

Click to view similar products for [Specialised Cables category](#):

Click to view products by [Amphenol manufacturer](#):

Other Similar products are found below :

[706000D02F200](#) [910640](#) [96CB-L2020PIB2](#) [AC172](#) [ACL-SSI-4](#) [1300150047](#) [1300660036](#) [1302260080](#) [1300150079](#) [1300220119](#)
[1301240492](#) [1365323-1](#) [1589946-2](#) [1971465-2](#) [20240400003](#) [20886510030](#) [2-22733-8](#) [3011-03](#) [SSM005PC0DY012Q](#) [CCS-FCB-5](#)
[CCSFCBF2](#) [426122200-3](#) [VMMP6R](#) [427492400-3](#) [05AD05X](#) [10075358-F0200YYLF](#) [1052015-1-10](#) [540012](#) [RTPADPTR02](#) [636083-1](#)
[83010-0157](#) [VMMP2BK](#) [VMMP1BK](#) [ENP2205M030](#) [5-1589943-0](#) [N12601](#) [1300660038](#) [1300300020](#) [1300150101](#) [1300140041](#)
[1300660049](#) [1300300014](#) [1300150058](#) [1300150050](#) [1300150031](#) [1300140064](#) [1200900023](#) [00-4951](#) [XW2Z100JF1](#) [1200900047](#)