

REV	ECN	DESCRIPTION	DATE	MODIFIED
1		PRE-RELEASE	2021.12.07	Max
2	R6051W	UPDATED MARKING AND IDENTIFIER	Jan-10-22	Max
3	R6627W	ADDED UKCA IDENTIFIER	Oct-31-22	Max

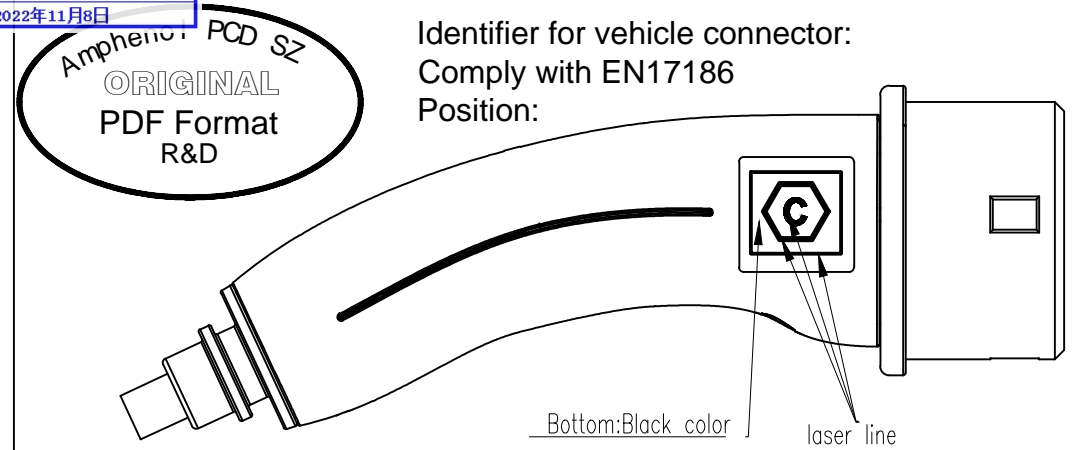
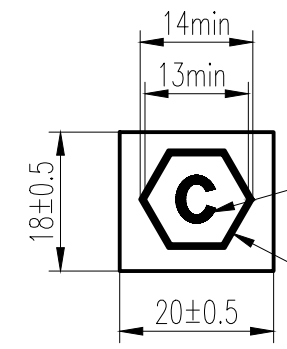


Photo see below:

Size see below:



"C"
Place in the middle of hexagon
Font: Arial Bold, Size:5mm min
Line thickness:0.5mm min

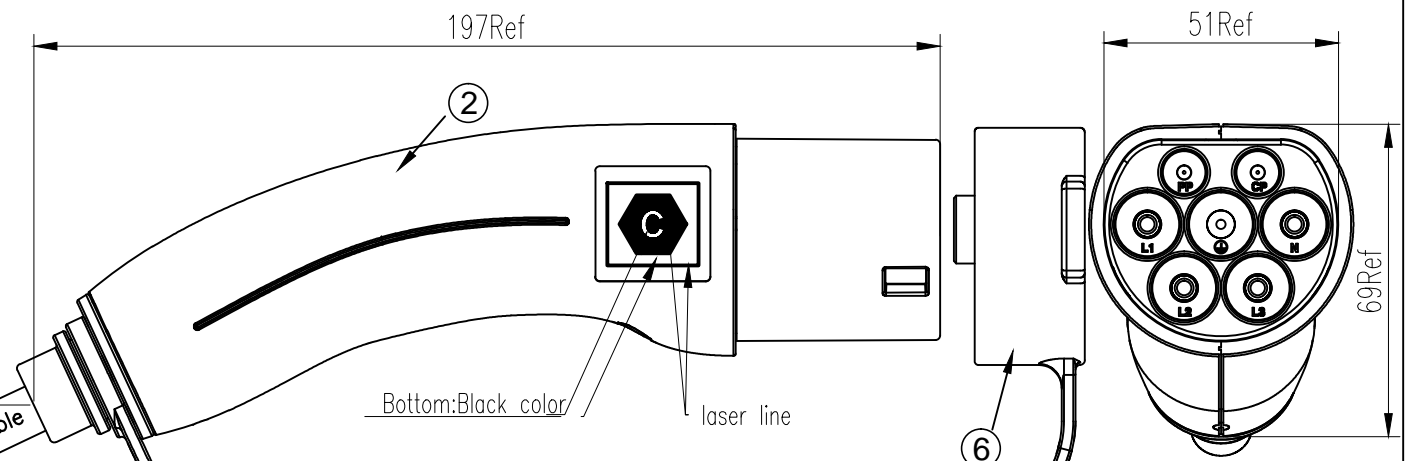
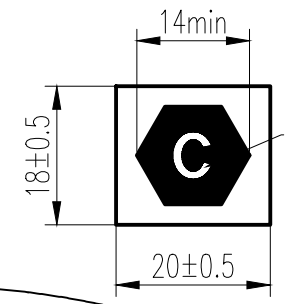
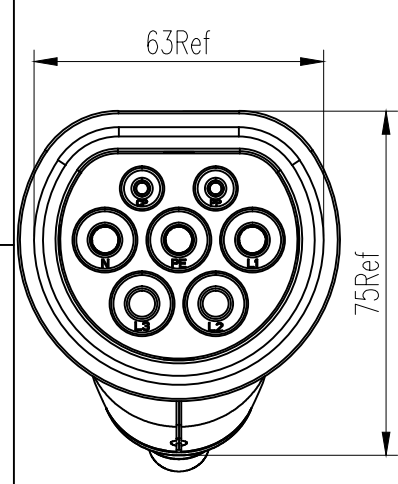


Photo see below:

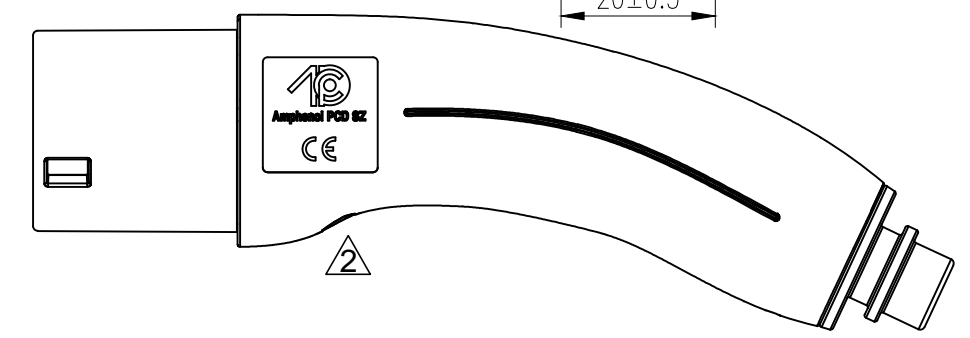
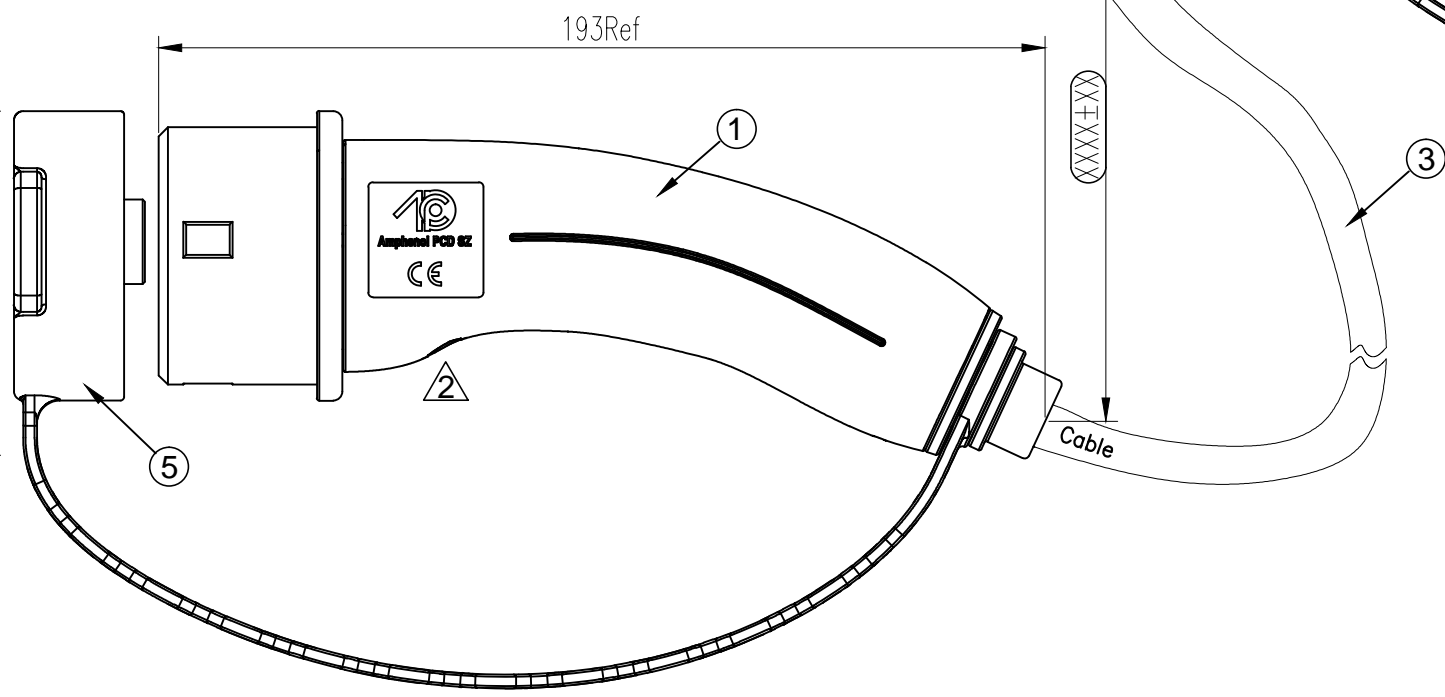
Size see below:



"C"
Place in the middle of hexagon
Font: Arial Bold, Size:5mm min



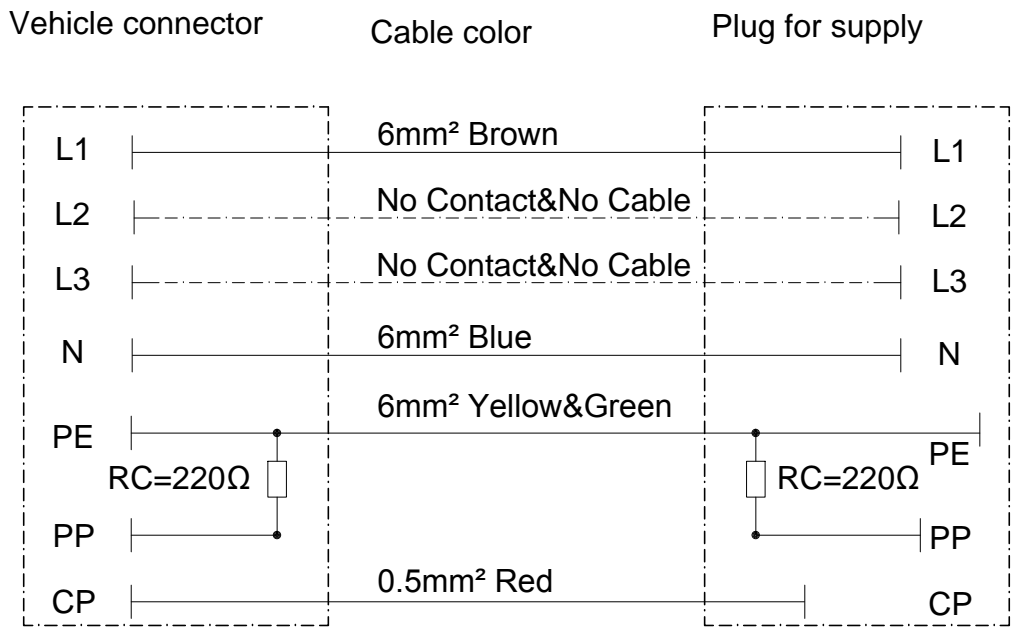
Vehicle connector



Plug for supply

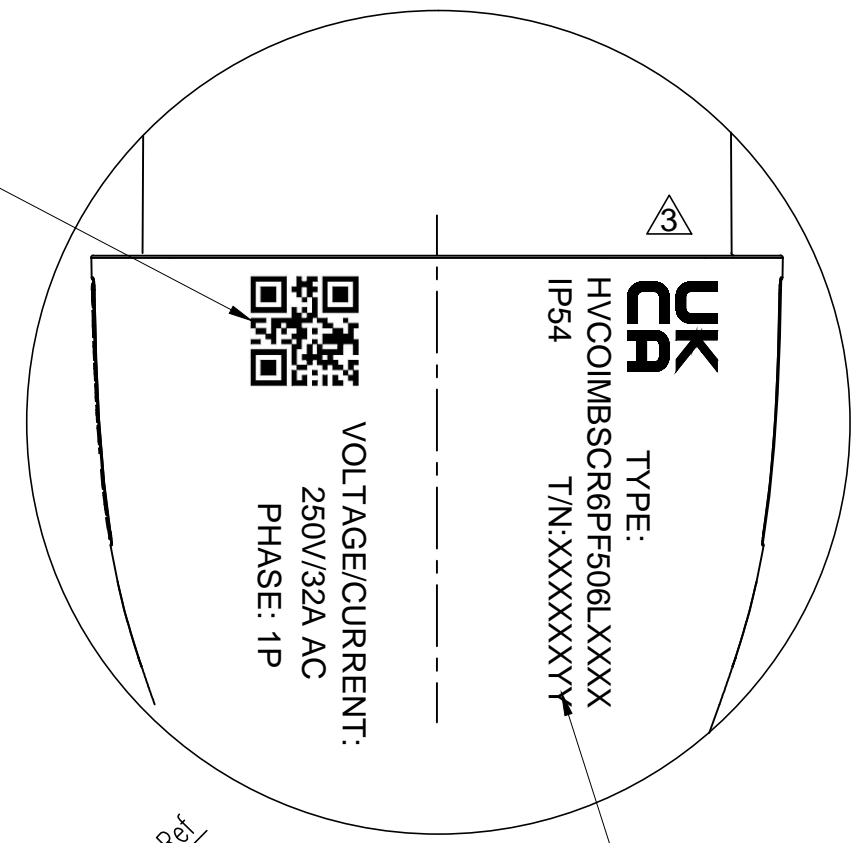
DIMENSIONS	TOLERANCES	PROJECTION	TITLE		
ANSI Y14.5M UNITS: MM	.X ± 0.5 .XX ±0.05 ANGLES ±2.0°		Amphenol PCD Shenzhen		
ORIGINAL	THIS DOCUMENT CONTAINS PROPRIETARY INFORMATION WHICH IS THE CONFIDENTIAL PROPERTY OF Amphenol PCD Shenzhen Co. Ltd Amphenol PCD Shenzhen Co. Ltd RESERVES THE RIGHT TO CLARIFY THIS DRAWING	ENGR Max	Jan-10-2022		IEC CHARGING COUPLER 32A, SINGLE PHASE CABLE ASSEMBLY-POTTING
		CHKD Rock.chen	SIZE A3	DWG NO. C-HVCOIMBSCR6PF506LXXXX	
			APPD Ben	CODE: 58982	SCALE NA

MODE OF CONNECTION



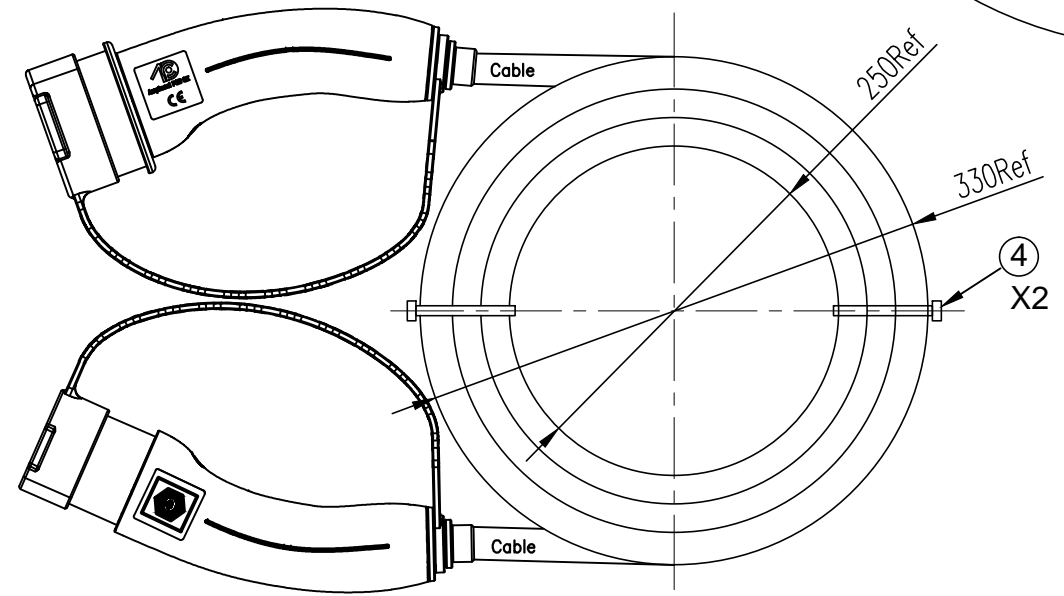
⚠ Laser Marking On Vehicle & Stake Plug
QR code only in Vehicle connector end

QR code, content including:
Part number
+Product order number
+ Serial number ex:0001



Product order number + batch number

COILING SIZE



*Notes:

- Cable assembly data:
 - Rated Voltage:250V AC(L1 &N&PE),30V DC(PP&CP);
 - Rated Current:32A Max(L1&N),2A Max(PP&CP);
 - Insulation Resistance:100MΩ Min;
 - Dielectric Withstand Voltage :2000V/AC r.m.s;
 - IP-Class:IP54(with CAP fitted) IP55(when mated) IP67 for enclosure;
- Durability:10000 cycles;
- Comply With RoHS;
- Ambient Temperature: -30°C ~ +50°C;
- Connector reference: C-HVCOIMBR6PF506L0000
C-HVCOIMBSR6PF506L0000;
- Reference: IEC 62196-2;
- Identifier based on EN17186;
- Minimum bending radius:128mm;
- HVCOIMBSCR6PF506LXXXX

Length(mm)	Tolerance
0~1000	±50
1001~5000	±100
>5000	±200

⑥	P01BP00366	DUST CAP FOR PLUG, BLACK	1	EA
⑤	P01BP00382	DUST CAP FOR VEHICLE CONNECTOR, BLACK	1	EA
④	P05C000011	CABLE TIE BLACK	2	EA
③	CABLE	3C*6mm ² +1C*0.5mm ² BK OD=12.8±0.4	AR	m
②	HVCOIMBSR6PF506L0000	PLUG FOR SUPPLY, 1P,32A,BLACK	1	EA
①	HVCOIMBR6PF506L0000	VEHICLE CONNECTOR, 1P,32A,BLACK	1	EA
ITEM	P/N	DESCRIPTION	QTY	UNIT

SIZE	DWG NO.	REV
A3	C-HVCOIMBSCR6PF506LXXXX	3
CODE: 58982	SCALE NA	SHEET 2 OF 2

C-HVCOIMBSCR6PF506LXXXX

C-HVCOIMBSCR6PF506LXXXX

X-ON Electronics

Largest Supplier of Electrical and Electronic Components

Click to view similar products for [Specialised Cables category](#):

Click to view products by [Amphenol manufacturer](#):

Other Similar products are found below :

[706000D02F200](#) [910640](#) [96CB-L2020PIB2](#) [AC172](#) [ACL-SSI-4](#) [1300150047](#) [1300660036](#) [1302260080](#) [1300150079](#) [1300220119](#)
[1301240492](#) [1365323-1](#) [1589946-2](#) [1971465-2](#) [20240400003](#) [20886510030](#) [2-22733-8](#) [3011-03](#) [SSM005PC0DY012Q](#) [CCS-FCB-5](#)
[CCSFCBF2](#) [426122200-3](#) [VMMP6R](#) [427492400-3](#) [05AD05X](#) [10075358-F0200YYLF](#) [1052015-1-10](#) [540012](#) [RTPADPTR02](#) [636083-1](#)
[83010-0157](#) [VMMP2BK](#) [VMMP1BK](#) [ENP2205M030](#) [5-1589943-0](#) [N12601](#) [1300660038](#) [1300300020](#) [1300150101](#) [1300140041](#)
[1300660049](#) [1300300014](#) [1300150058](#) [1300150050](#) [1300150031](#) [1300140064](#) [1200900023](#) [00-4951](#) [XW2Z100JF1](#) [1200900047](#)