

REV	ECN	DESCRIPTION	DATE	MODIFIED
1		PRE-RELEASE	2021.12.07	Max
2		UPDATED MARKING AND IDENTIFIER	Dec-28-21	Max
3	R6051W	UPDATED MARKING	Jan-10-22	Max
4	R6627W	ADDED UKCA IDENTIFIER	Oct-31-22	Max

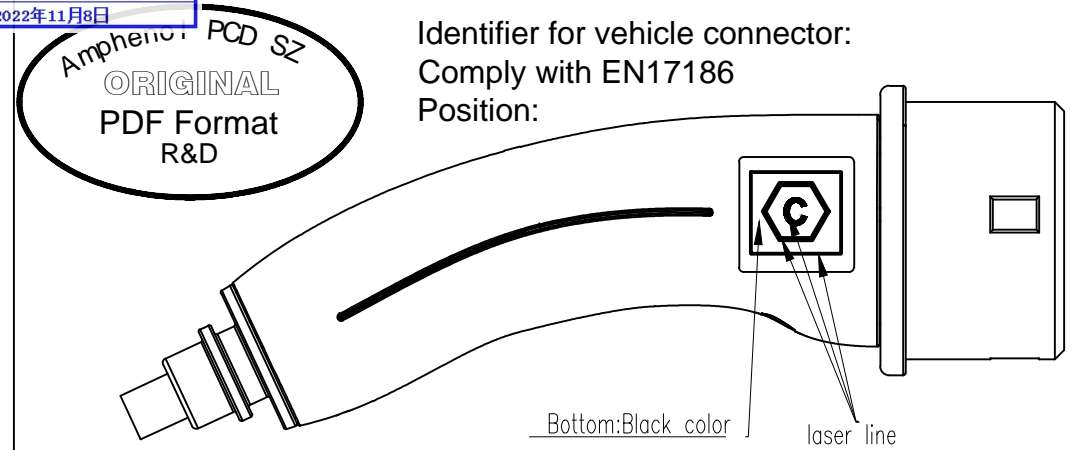


Photo see below:

Size see below:

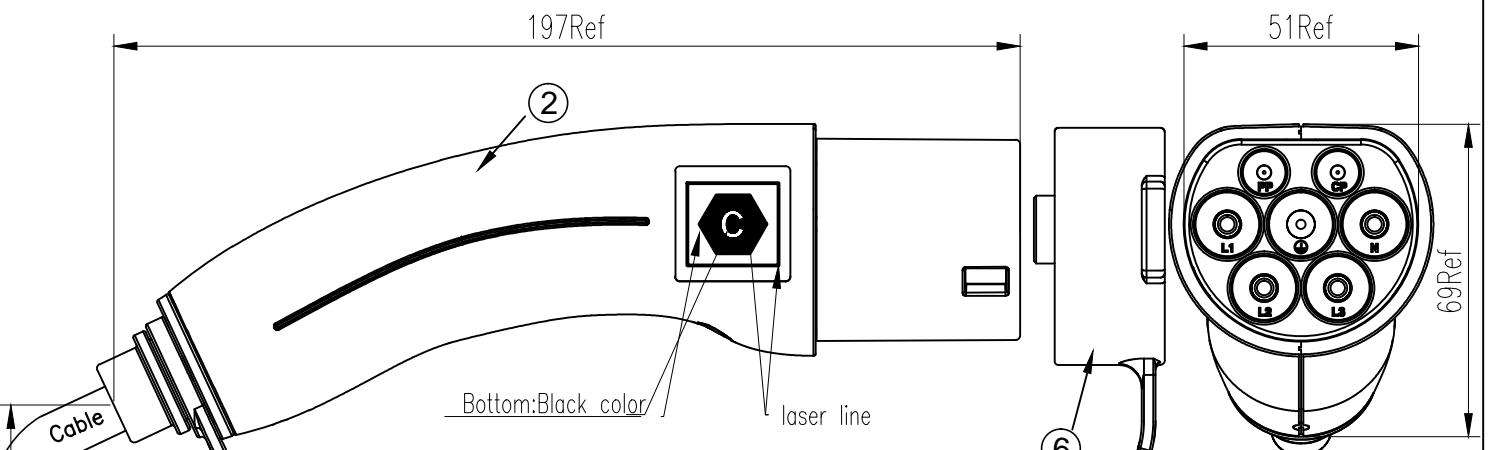
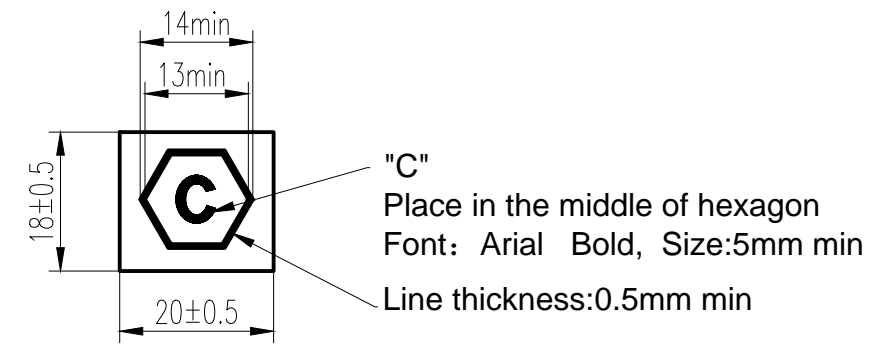
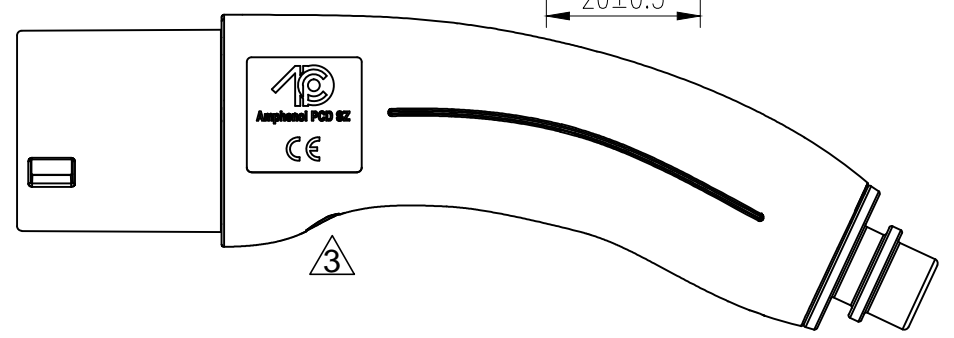
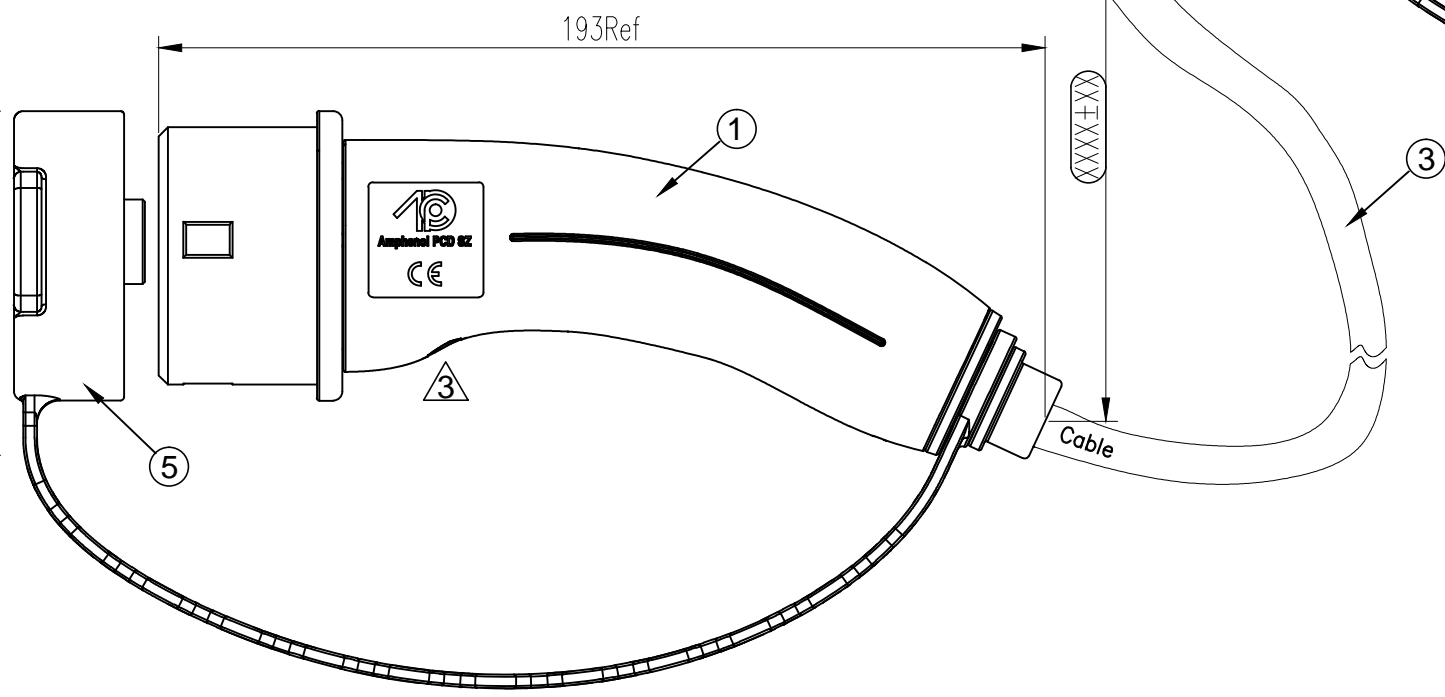
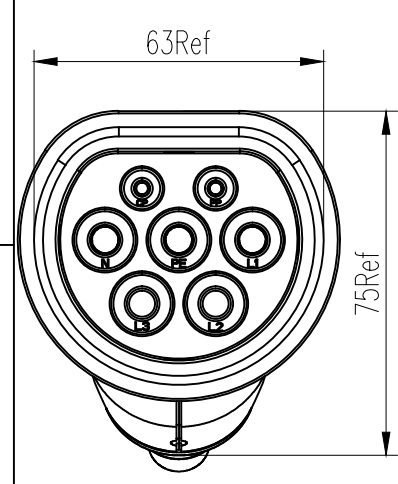
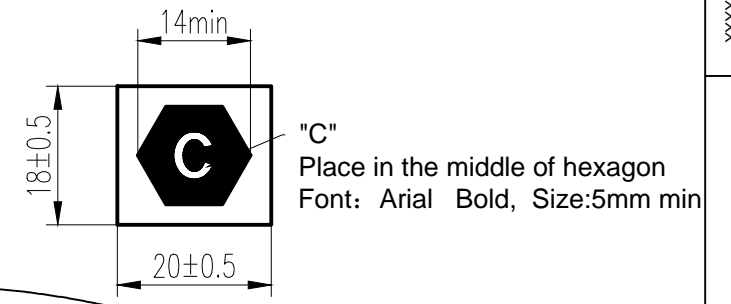


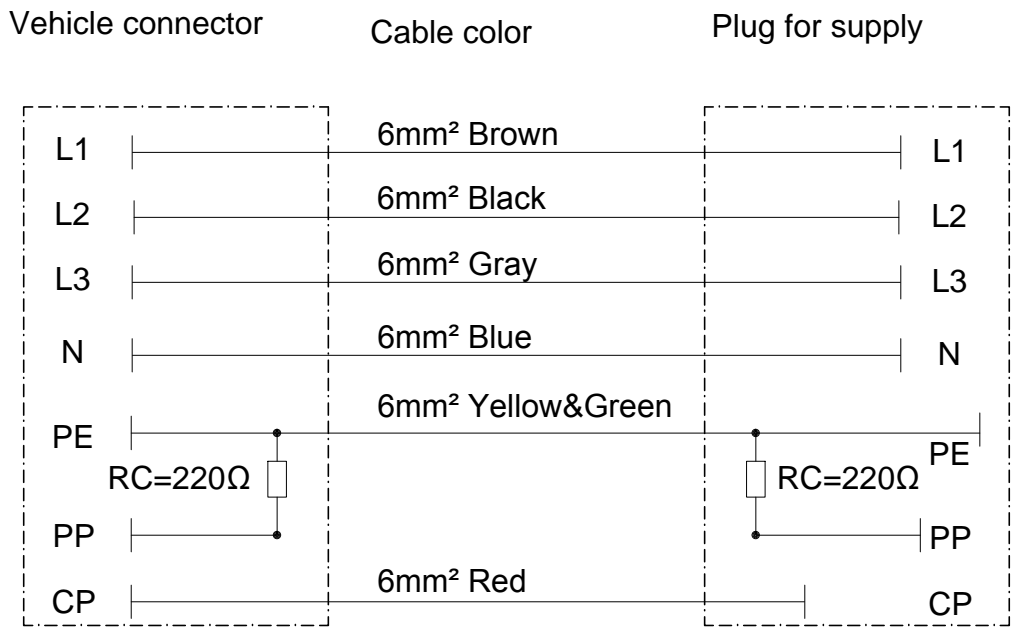
Photo see below:

Size see below:



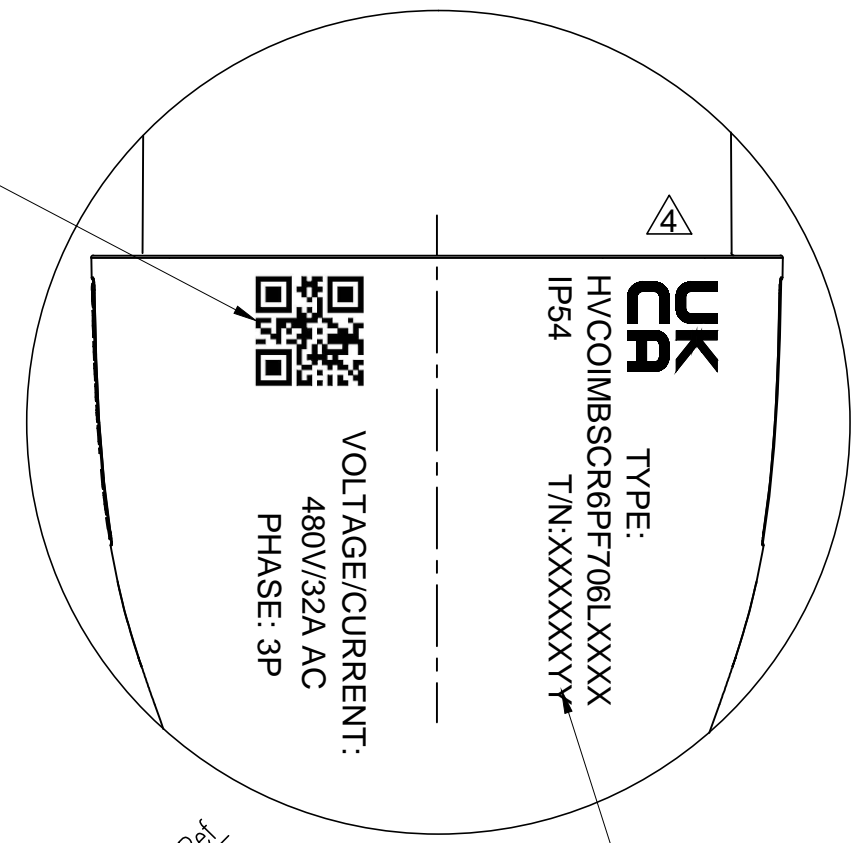
DIMENSIONS	TOLERANCES	PROJECTION	TITLE				
ANSI Y14.5M UNITS: MM	.X ± 0.5 .XX ± 0.05 ANGLES ± 2.0°		IEC CHARGING COUPLER 32A 3-PHASE CABLE ASSEMBLY-POTTING				
ORIGINAL	THIS DOCUMENT CONTAINS PROPRIETARY INFORMATION WHICH IS THE CONFIDENTIAL PROPERTY OF Amphenol PCD Shenzhen Co. Ltd Amphenol PCD Shenzhen Co. Ltd RESERVES THE RIGHT TO CLARIFY THIS DRAWING	ENGR Max	Amphenol PCD Shenzhen		SIZE A3	DWG NO. C-HVCOIMBSCR6PF706LXXXX	REV 4
		CHKD Rock.chen	Jan-10-2022		CODE: 58982	SCALE NA	SHEET 1 OF 2
		APPD Ben					

MODE OF CONNECTION



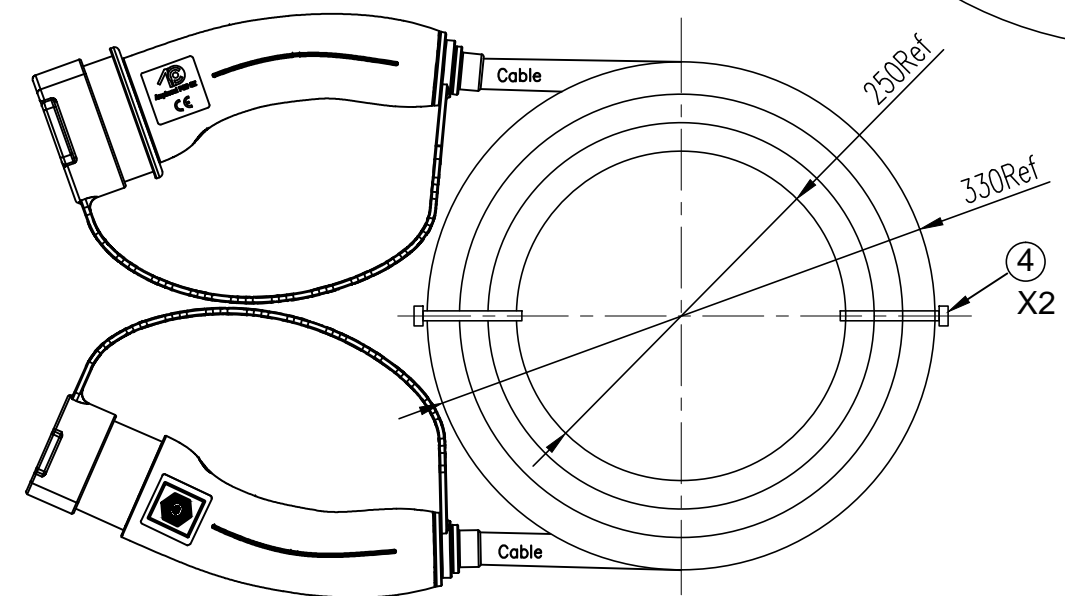
⚠ Laser Marking On Vehicle & Stake Plug
QR code only in Vehicle connector end

QR code, content including:
Part number
+Product order number
+ Serial number ex:0001



Product order number + batch number

COILING SIZE



*Notes:

- Cable assembly data:
 - Rated Voltage:480V AC(L1&L2&L3&N&PE),30V DC(PP&CP);
 - Rated Current:32A Max(L1 &L2&L3&N),2A Max(PP&CP);
 - Insulation Resistance:100MΩ Min;
 - Dielectric Withstand Voltage :2000V/AC r.m.s;
 - IP-Class:IP54(with CAP fitted) IP55(when mated) IP67 for enclosure;
 - ◎ Durability:10000 cycles;
 - ★ Comply With RoHS;
 - Ambient Temperature: -30°C ~ +50°C;
- Connector reference: C-HVCOIMBR6PF706L0000
C-HVCOIMBSR6PF706L0000;
- Reference: IEC 62196-2;
- Identifier based on EN17186;
- Minimum bending radius:161mm;
- HVCOIMBSCR6PF706LXXXX

Length(mm)	Tolerance
0~1000	±50
1001~5000	±100
>5000	±200

⑥	P01BP00366	DUST CAP FOR PLUG, BLACK	1	EA
⑤	P01BP00382	DUST CAP FOR VEHICLE CONNECTOR, BLACK	1	EA
④	P05C000011	CABLE TIE BLACK	2	EA
③	CABLE	5C*6mm ² +1C*0.5mm ² BK OD=16.1±0.4	AR	m
②	HVCOIMBSR6PF706L0000	PLUG FOR SUPPLY, 3P,32A,BLACK	1	EA
①	HVCOIMBR6PF706L0000	VEHICLE CONNECTOR, 3P,32A,BLACK	1	EA
ITEM	P/N	DESCRIPTION	QTY	UNIT

SIZE	DWG NO.	REV
A3	C-HVCOIMBSCR6PF706LXXXX	4
CODE:	SCALE	SHEET
58982	NA	2 OF 2

C-HVCOIMBSCR6PF706LXXXX

C-HVCOIMBSCR6PF706LXXXX

X-ON Electronics

Largest Supplier of Electrical and Electronic Components

Click to view similar products for [Specialised Cables](#) category:

Click to view products by [Amphenol](#) manufacturer:

Other Similar products are found below :

[706000D02F200](#) [910640](#) [96CB-L2020PIB2](#) [AC172](#) [ACL-SSI-4](#) [1300150047](#) [1300660036](#) [1300660042](#) [1302260080](#) [1300150079](#)
[1300220119](#) [1301240492](#) [1365323-1](#) [1589946-2](#) [1971465-2](#) [20240400003](#) [20886510030](#) [2-22733-8](#) [3011-03](#) [SSM005PCODY012Q](#) [CCS-](#)
[FCB-5](#) [CCSFCBF2](#) [VMMP6R](#) [427492400-3](#) [05AD05X](#) [10075358-F0200YYLF](#) [1052015-1-10](#) [540012](#) [RTPADPTR02](#) [636083-1](#) [83010-](#)
[0157](#) [VMMP2BK](#) [VMMP1BK](#) [ENP2205M030](#) [5-1589943-0](#) [N12601](#) [1300660038](#) [1300150101](#) [1300140041](#) [1300660049](#) [1300300014](#)
[1300150058](#) [1300150050](#) [1300150031](#) [1300140064](#) [1200900023](#) [00-4951](#) [XW2Z100JF1](#) [1200900047](#) [C200H-CN220-EU](#)