

| REV | ECN | DESCRIPTION | DATE | MODIFIED |
|-----|--------|--------------------------------|------------|----------|
| 1 | | PRE-RELEASE | 2021.12.07 | Max |
| 2 | R6051W | UPDATED MARKING AND IDENTIFIER | Jan-10-22 | Max |
| 3 | R6627W | ADDED UKCA IDENTIFIER | Oct-31-22 | Max |

Amphenol PCD SZ
ORIGINAL
PDF Format
R&D

Identifier for vehicle connector:
Comply with EN17186
Position:

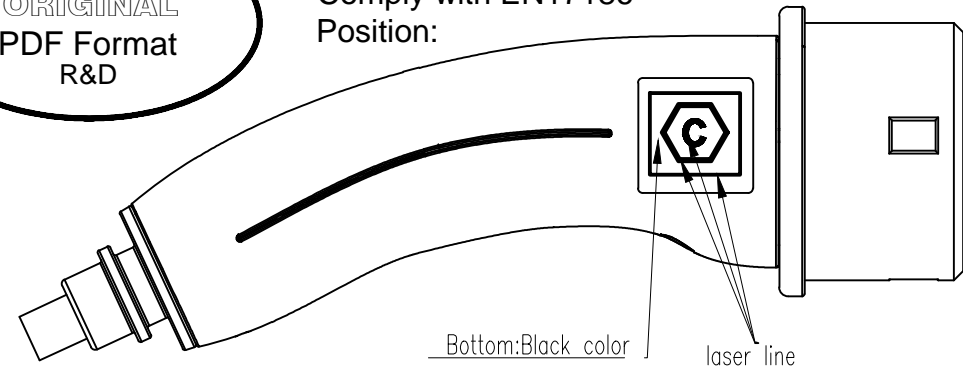
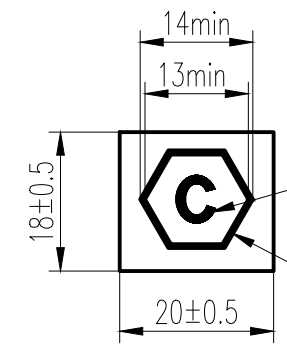
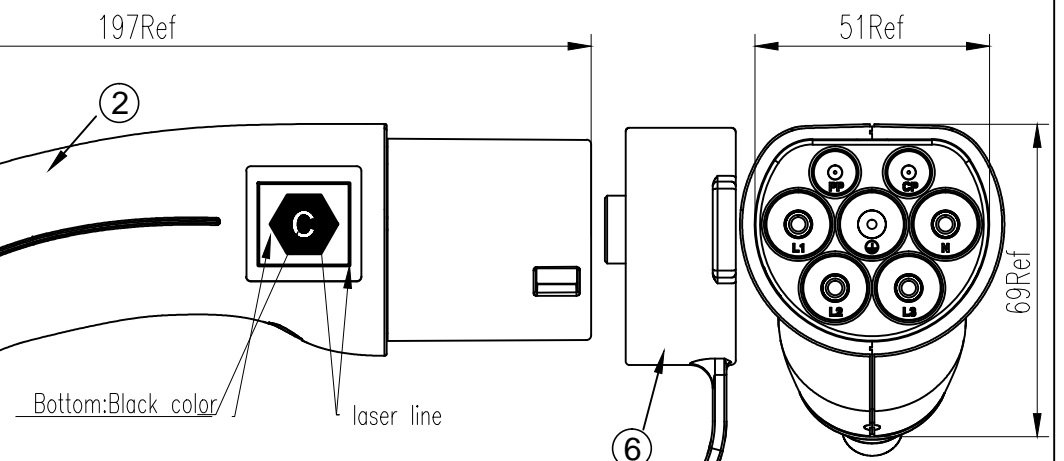


Photo see below:

Size see below:



"C"
Place in the middle of hexagon
Font: Arial Bold, Size:5mm min
Line thickness:0.5mm min

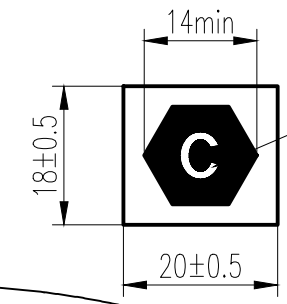


Identifier for plug:
Comply with EN17186
Position:

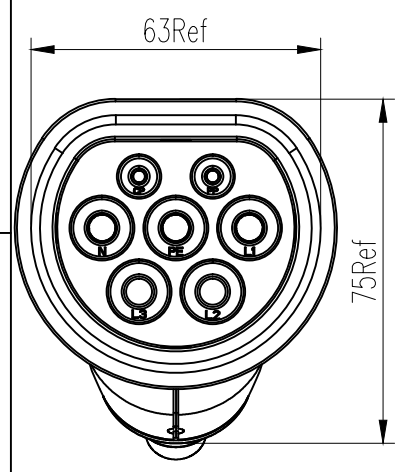
Plug for supply

Photo see below:

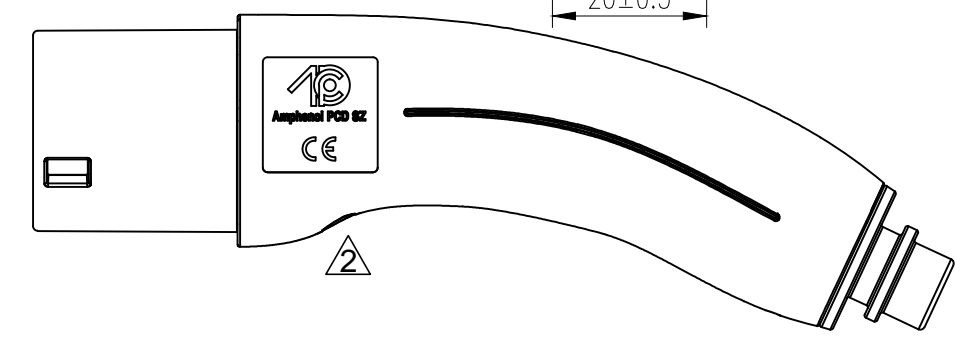
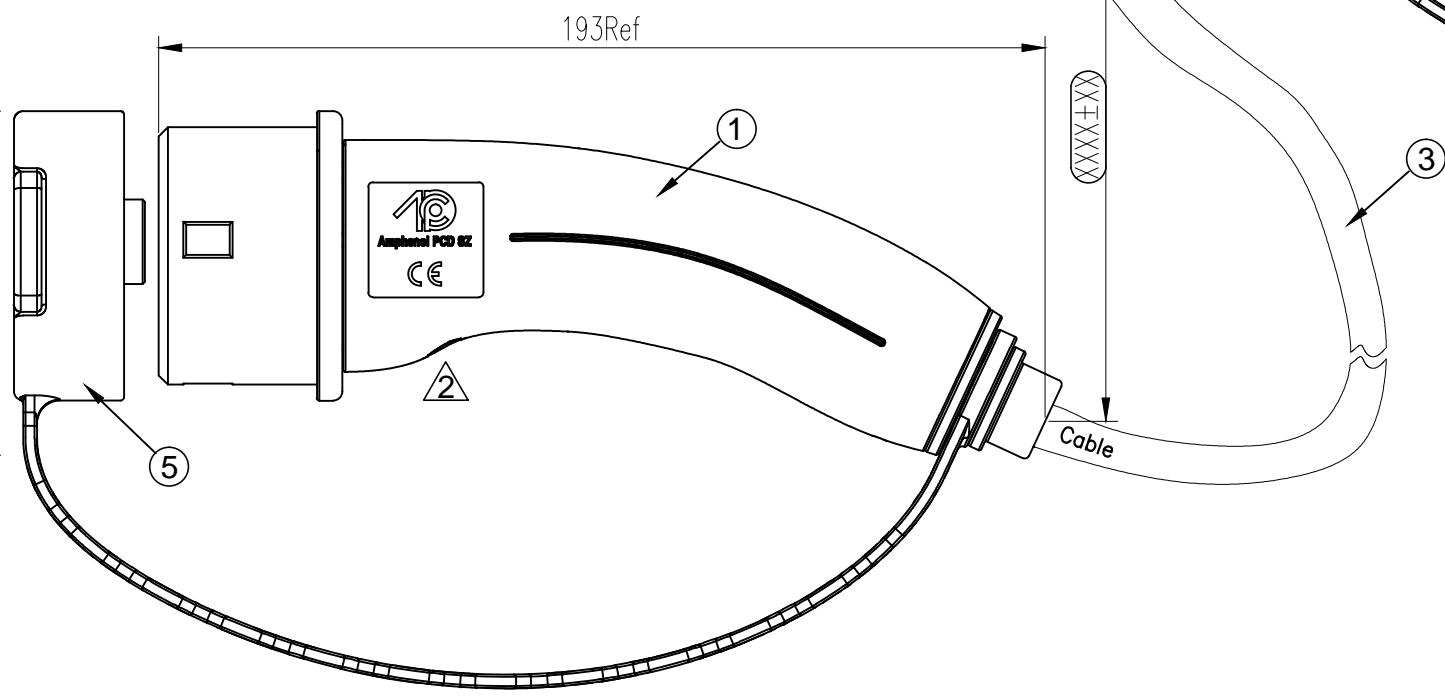
Size see below:



"C"
Place in the middle of hexagon
Font: Arial Bold, Size:5mm min



Vehicle connector

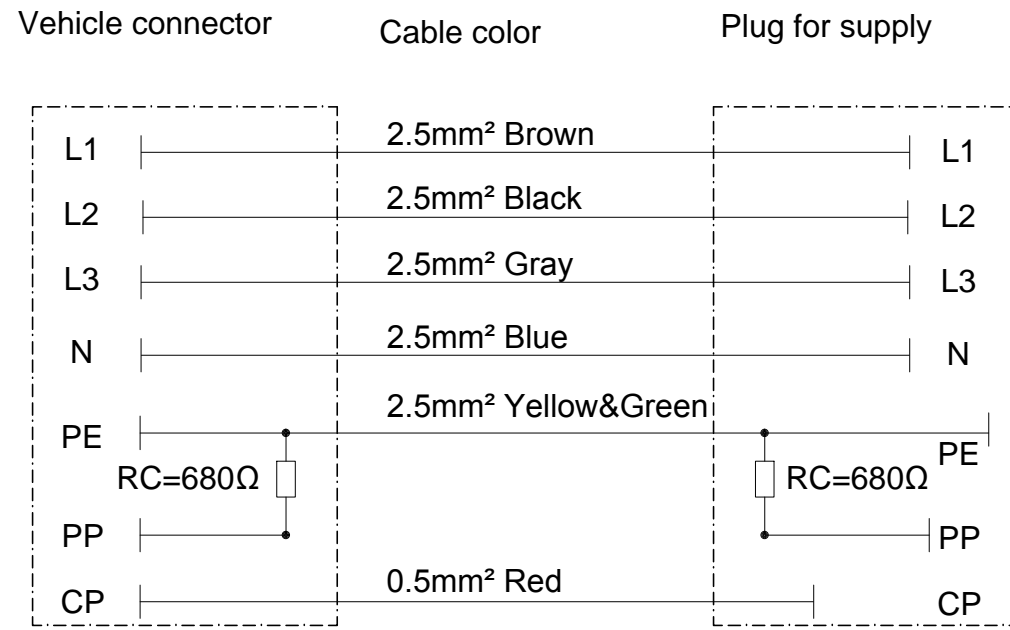


| DIMENSIONS | TOLERANCES | PROJECTION | TITLE | | |
|--------------------------|--|----------------------------------|---|------------------------------------|----------------|
| ANSI Y14.5M UNITS: MM | .X ± 0.5 .XX ±0.05 ANGLES ±2.0° | | IEC CHARGING COUPLER 20A 3-PHASE CABLE ASSEMBLY-POTTING | | |
| ORIGINAL | THIS DOCUMENT CONTAINS PROPRIETARY INFORMATION WHICH IS THE CONFIDENTIAL PROPERTY OF Amphenol PCD Shenzhen Co. Ltd Amphenol PCD Shenzhen Co. Ltd RESERVES THE RIGHT TO CLARIFY THIS DRAWING | ENGR Max | Amphenol PCD Shenzhen Jan-10-2022 | | REV 3 |
| | | CHKD Rock.chen APPD Ben | SIZE A3 | DWG NO. C-HVCOIMBSCR6PS702LXXXX | CODE: 58982 |
| | | SCALE NA | | SHEET 1 OF 2 | |

C-HVCOIMBSCR6PS702LXXXX

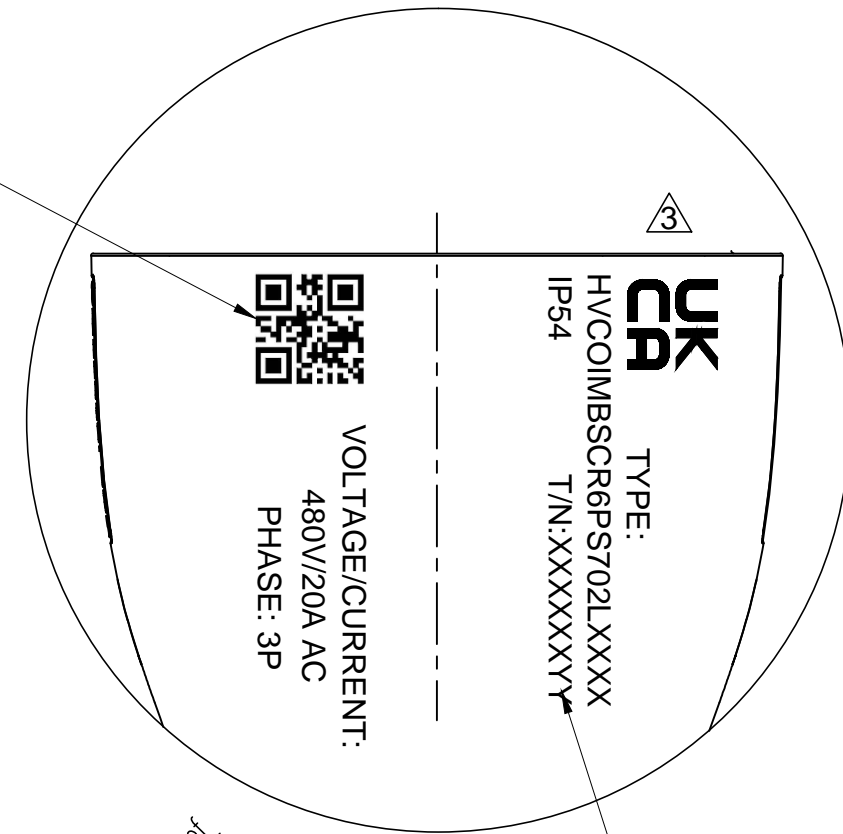
C-HVCOIMBSCR6PS702LXXXX

MODE OF CONNECTION



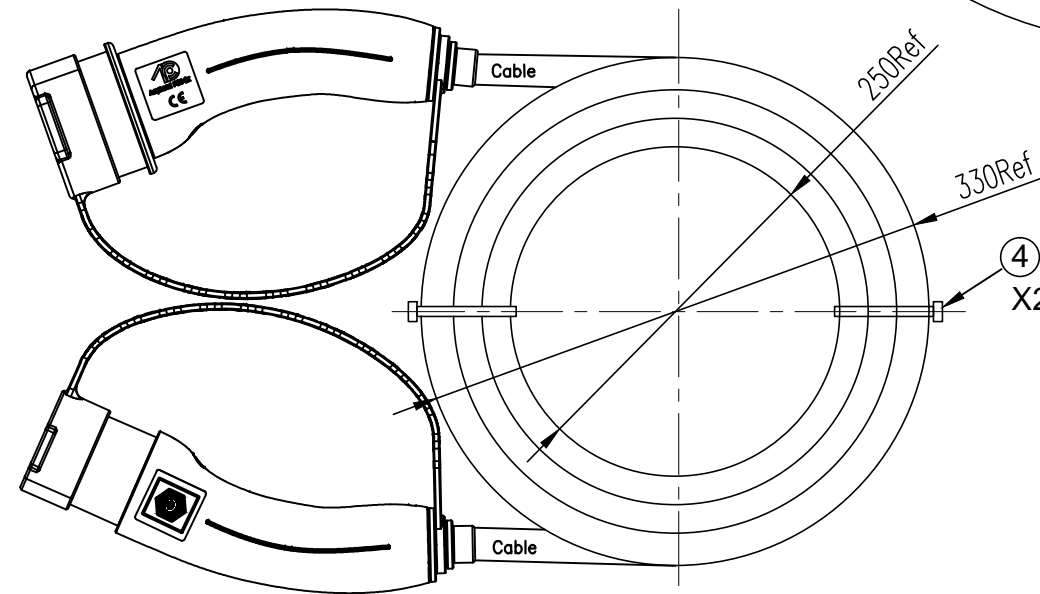
⚠ Laser Marking On Vehicle & Stake Plug
QR code only in Vehicle connector end

QR code, content including:
Part number
+Product order number
+ Serial number ex:0001



Product order number + batch number

COILING SIZE



*Notes:

- Cable assembly data:
 - Rated Voltage:480V AC(L1&L2&L3&N&PE),30V DC(PP&CP);
 - Rated Current:20A Max(L1 &L2&L3&N),2A Max(PP&CP);
 - Insulation Resistance:100MΩ Min;
 - Dielectric Withstand Voltage :2000V/AC r.m.s;
 - IP-Class:IP54(with CAP fitted) IP55(when mated) IP67 for enclosure;
- Durability:10000 cycles;
- Comply With RoHS;
- Ambient Temperature: -30°C ~ +50°C;
- Connector reference: C-HVCOIMBR6PS702L0000
C-HVCOIMBSR6PS702L0000;
- Reference: IEC 62196-2;
- Identifier based on EN17186;
- Minimum bending radius:128mm;
- HVCOIMBSCR6PS702LXXXX

| Length(mm) | Tolerance |
|------------|-----------|
| 0~1000 | ±50 |
| 1001~5000 | ±100 |
| >5000 | ±200 |

| ⑥ | P01BP00366 | DUST CAP FOR PLUG, BLACK | 1 | EA |
|------|----------------------|---|-----|------|
| ⑤ | P01BP00382 | DUST CAP FOR VEHICLE CONNECTOR, BLACK | 1 | EA |
| ④ | P05C000011 | CABLE TIE BLACK | 2 | EA |
| ③ | CABLE | 5C*2.5mm ² +1C*0.5mm ² BK OD=12.8±0.4 | AR | m |
| ② | HVCOIMBSR6PS702L0000 | PLUG FOR SUPPLY, 3P,20A,BLACK | 1 | EA |
| ① | HVCOIMBR6PS702L0000 | VEHICLE CONNECTOR, 3P,20A,BLACK | 1 | EA |
| ITEM | P/N | DESCRIPTION | QTY | UNIT |

| | | |
|-------|-------------------------|--------|
| SIZE | DWG NO. | REV |
| A3 | C-HVCOIMBSCR6PS702LXXXX | 3 |
| CODE: | SCALE | SHEET |
| 58982 | NA | 2 OF 2 |

X-ON Electronics

Largest Supplier of Electrical and Electronic Components

Click to view similar products for [Specialised Cables](#) category:

Click to view products by [Amphenol](#) manufacturer:

Other Similar products are found below :

[706000D02F200](#) [910640](#) [96CB-L2020PIB2](#) [AC172](#) [ACL-SSI-4](#) [1300150047](#) [1300660036](#) [1300660042](#) [1302260080](#) [1300150079](#)
[1300220119](#) [1301240492](#) [1365323-1](#) [1589946-2](#) [1971465-2](#) [20240400003](#) [20886510030](#) [2-22733-8](#) [3011-03](#) [SSM005PCODY012Q](#) [CCS-](#)
[FCB-5](#) [CCSFCBF2](#) [VMMP6R](#) [427492400-3](#) [05AD05X](#) [10075358-F0200YYLF](#) [1052015-1-10](#) [540012](#) [RTPADPTR02](#) [636083-1](#) [83010-](#)
[0157](#) [VMMP2BK](#) [VMMP1BK](#) [ENP2205M030](#) [5-1589943-0](#) [N12601](#) [1300660038](#) [1300150101](#) [1300140041](#) [1300660049](#) [1300300014](#)
[1300150058](#) [1300150050](#) [1300150031](#) [1300140064](#) [1200900023](#) [00-4951](#) [XW2Z100JF1](#) [1200900047](#) [C200H-CN220-EU](#)