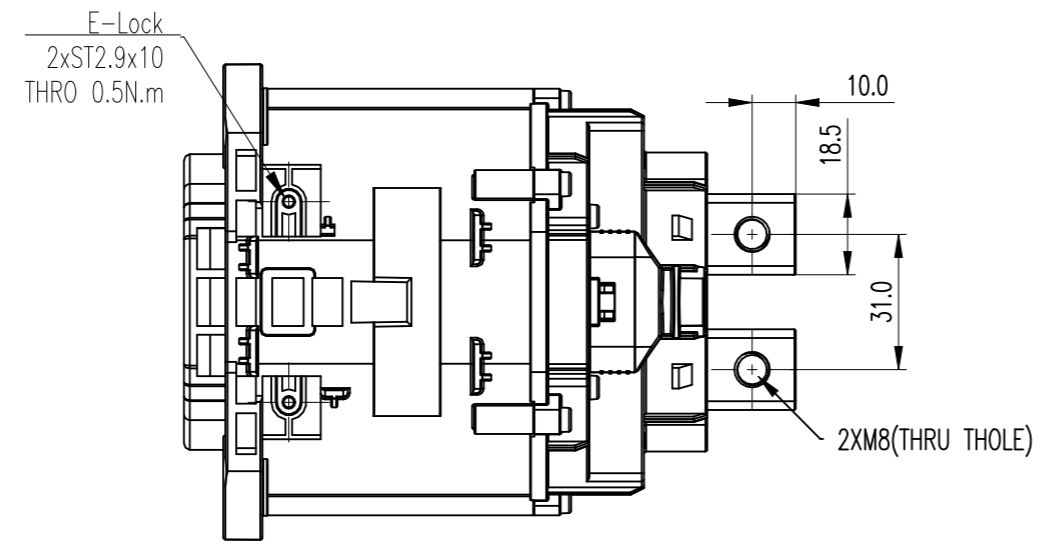
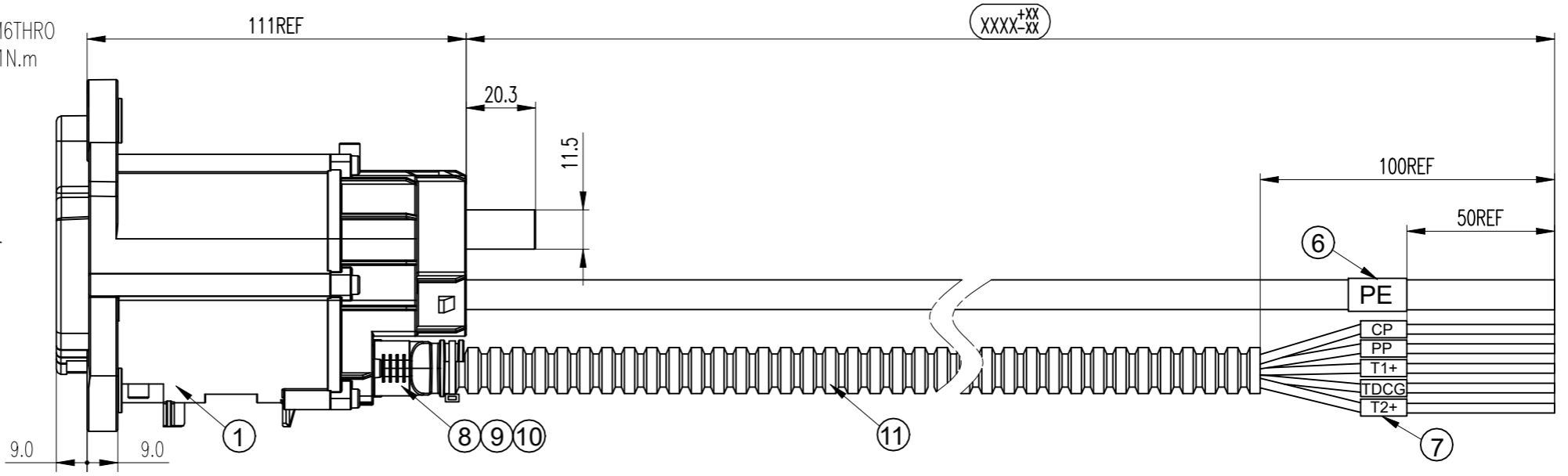
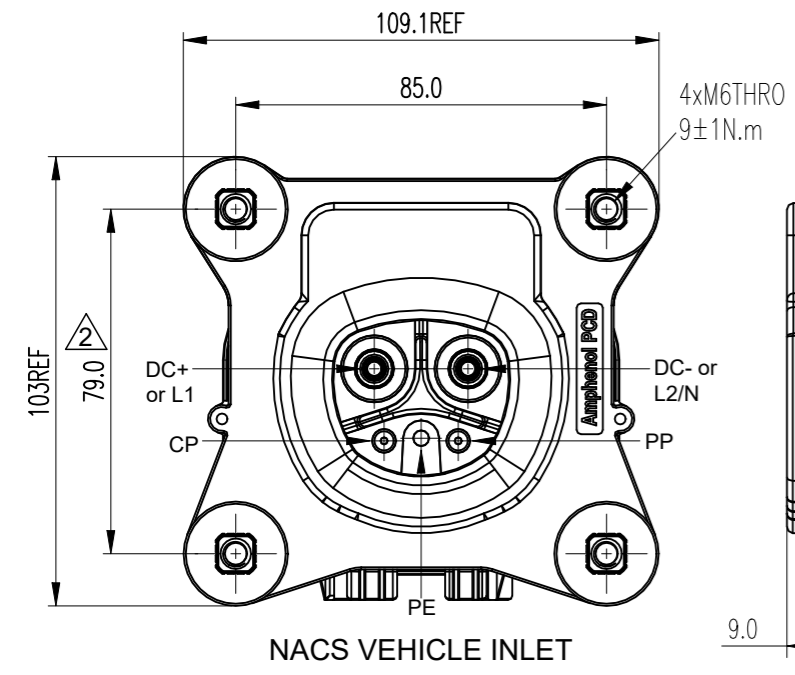


REV	ECN	DESCRIPTION	DATE	MODIFIED
1		RELEASE	Nov-01-2023	Jonny
2	R7941N	UPDATED INLET DIMENSIONS	Mar-28-2024	Jonny

ORIGINAL  
PDF Format  
R&D



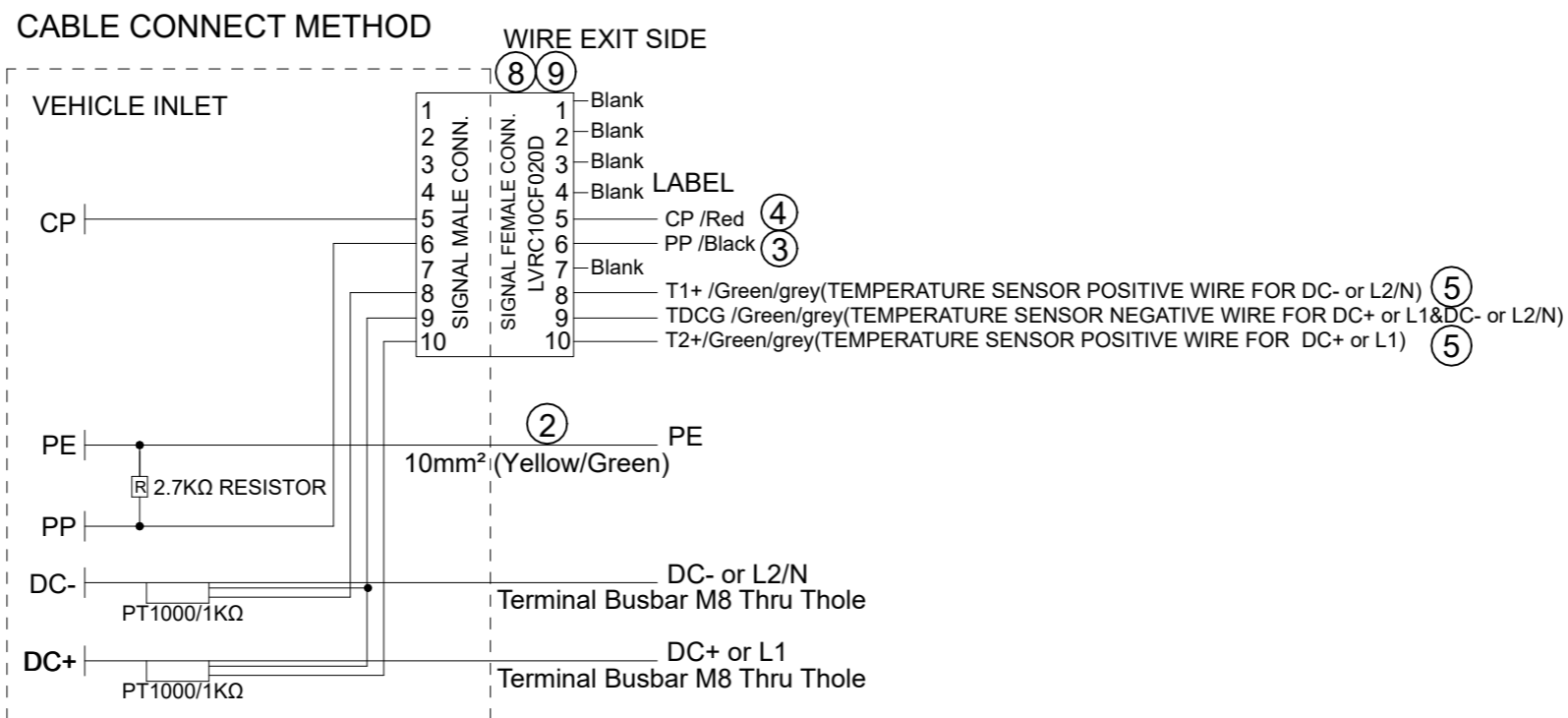
HVCONF0100S1L XXXX

LENGTH	TOLERANCE
0~1000mm	+25 -10
1001~5000mm	+40 -10
>5000mm	+50 -20

DIMENSIONS	TOLERANCES	PROJECTION	TITLE			
ANSI Y14.5M UNITS: MM CAD FILE	.X ± 0.5 .XX ± 0.05 ANGLES ± 2.0°		<b>NACS Vehicle Inlet Busbar Version Without LED DC1000V/600A Cable Assembly</b>			
ORIGINAL	THIS DOCUMENT CONTAINS PROPRIETARY INFORMATION WHICH IS THE CONFIDENTIAL PROPERTY OF Amphenol PCD Shenzhen Co. Ltd Amphenol PCD Shenzhen Co. Ltd RESERVES THE RIGHT TO CLARIFY THIS DRAWING	ENGR Jonny Mar-28-2024				
		CHKD Rock.chen APPD Ben	SCALE N/A	SHEET 1 OF 2		

C-HVCONF0100S1LXXXX

C-HVCONF0100S1LXXXX



**\*Notes:**

1.Cable Assembly Data:

✦ Rated Voltage&Rated Current:

DC:1000V DC, 600A Max; For DC liquid-cooled charging

PE: 10mm<sup>2</sup> Ground;

CP:30V DC 2A;

PP:30V DC 2A;

✦ Insulation Resistance:100MΩ Min(DC 1000V /DC+&DC-);  
100MΩ Min(DC 500V /CP);

✦ Withstand Voltage:3000V/AC r.m.s(DC+&DC-);  
500V/AC r.m.s(CP);

©Durability:10000 cycles(NACS PLUG);

✦ RoHS Compliance;

Ambient Temperature: -30°C to +50°C;

Insertion & Withdrawal Force: <100N

2.NACS Inlet Reference: C-HVCONF0100S1

3.NACS Inlet Reference Standard: UL2251 ; SAE J3400

4.The cable should be fixed at 100mm max from the rear of connector

5.Cable Minimum Bending Radius:≥5OD

6.E-Lock to be ordered separately P/N: HVEL12NS001,Mounting torque is 0.5±0.025 N.m

⑪	P05Z000089	CONVOLUTED TUBING BLACK: 8.5*11.5mm	AR	m
⑩	C210003609	CABLE TIE BLACK	1	EA
⑨	P01BS00025	SIGNAL TERMINAL: P01BS00025 FOR 0.5-0.75mm <sup>2</sup>	5	EA
⑧	LVRC10CF020D	SIGNAL CONNECTOR: LVRC10CF020D 10POS	1	EA
⑦	C210006837	SINGLE-WALL H.S.T: Ø3.2mm WHITE	0.10	m
⑥	C210021008	SINGLE-WALL H.S.T: Ø8.0mm WHITE	0.05	m
⑤	P01BC00159	1C*0.75mm <sup>2</sup> UNSHIELDING, GREEN/GREY,XLPE, OD1.8±0.1	AR	m
④	P01BC00187	1C*0.75mm <sup>2</sup> UNSHIELDING, RED,XLPE, OD1.8±0.1	AR	m
③	P01BC00186	1C*0.75mm <sup>2</sup> UNSHIELDING, BLACK,XLPE, OD1.8±0.1	AR	m
②	P01BC00242	1C*10mm <sup>2</sup> UNSHIELDING, YELLOW/GREEN,XLPE, OD6.20±0.25	AR	m
①	HVCONF0100S1	NACS VEHICLE INLET: HVCONF0100S1,DC BUSBAR, 600A	1	EA
ITEM	P/N	DESCRIPTION	QTY	UNIT

SIZE	DWG NO.	REV
A3	C-HVCONF0100S1LXXXX	2
SCALE	N/A	SHEET 2 OF 2

## X-ON Electronics

Largest Supplier of Electrical and Electronic Components

*Click to view similar products for [EV Connectors](#) category:*

*Click to view products by [Amphenol](#) manufacturer:*

Other Similar products are found below :

[J2IV8021-02S1G0A0A0](#) [HVCONF0100S1L1000](#) [ECIV6323-017S1G1C1A0](#) [1624153](#) [1627635](#) [1405217](#) [HVSL362062A106I](#) [J2IV4021-10S1G0A0A1](#) [J2IV8021-06S1G0A0A0](#) [1158266](#) [1194398](#) [1210900](#) [1211202](#) [1211212](#) [1162163](#) [1162178](#) [1210902](#) [1211595](#) [1211606](#)  
[1270310](#) [1162150](#) [1162144](#) [1211221](#) [1211222](#) [1211217](#) [1211210](#) [1211201](#) [1211206](#) [1162095](#) [1162148](#) [1211220](#) [1270297](#) [1271966](#)  
[1271836](#) [1271960](#) [1288248](#) [1288250](#) [1295694](#) [1346562](#) [1346635](#) [1360818](#) [1379288](#) [1379294](#) [1408169](#) [1408170](#) [1427757](#) [1627693](#)  
[1405216](#) [1628147](#)