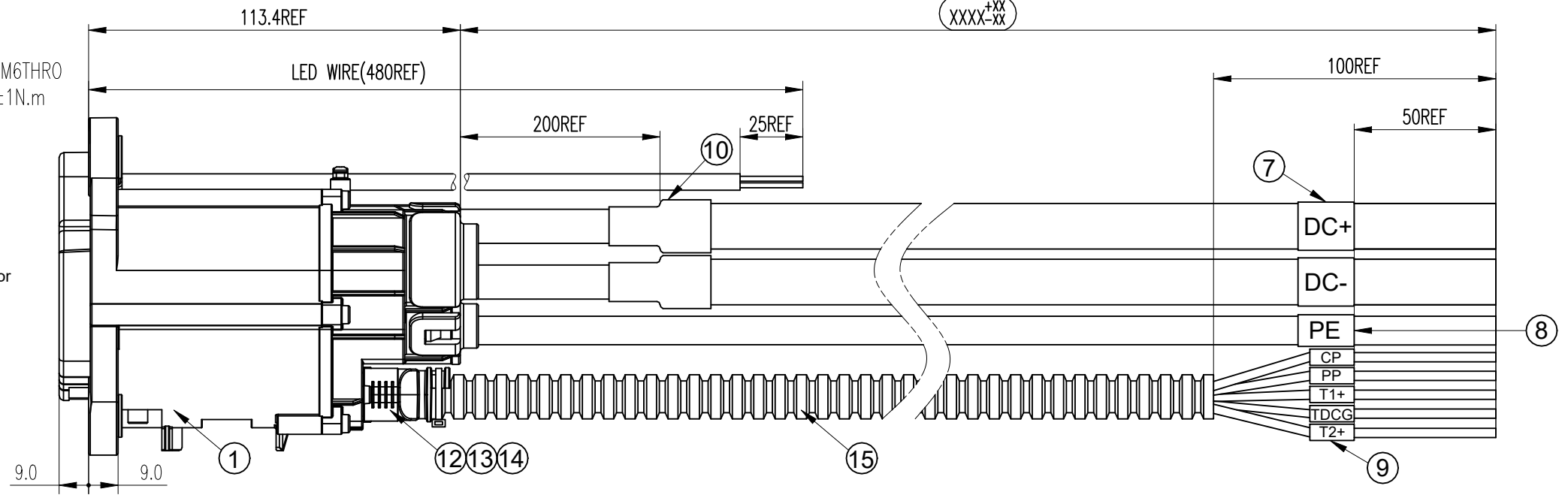
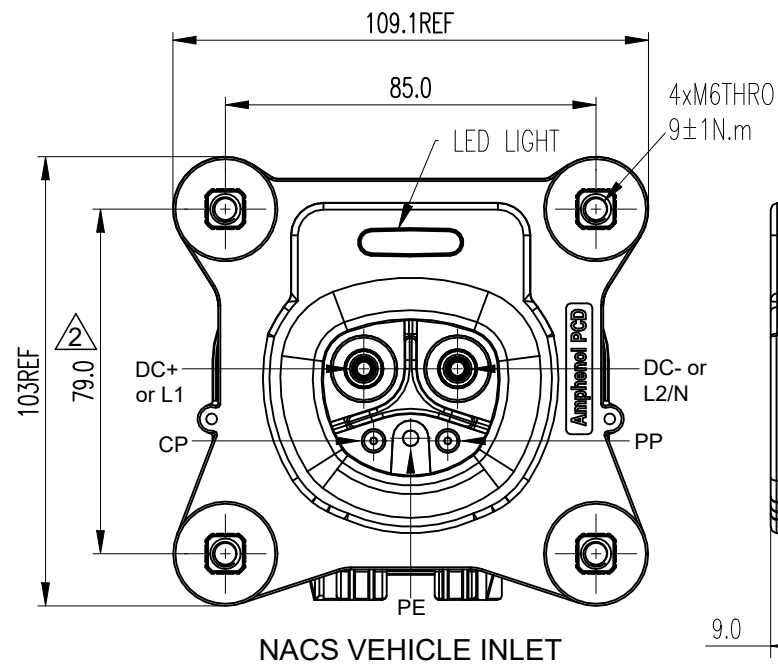


REV	ECN	DESCRIPTION	DATE	MODIFIED
1		RELEASE	Nov-01-2023	Jonny
2	R7941N	UPDATED INLET DIMENSIONS	Mar-28-2024	Jonny



HVCONF0101DL XXXX

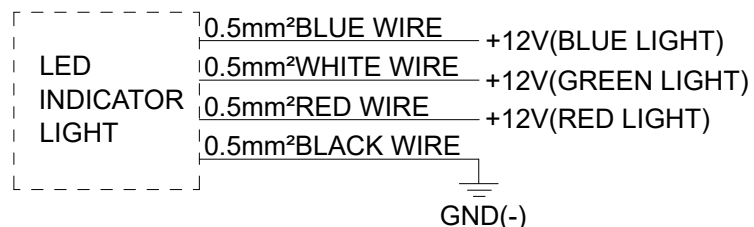
LENGTH	TOLERANCE
0~1000mm	+25 -10
1001~5000mm	+40 -10
>5000mm	+50 -20

DIMENSIONS ANSI Y14.5M UNITS: MM CAD FILE	TOLERANCES .X ± 0.5 .XX ± 0.05 ANGLES ± 2.0°	PROJECTION 	Amphenol PCD Shenzhen			TITLE NACS Vehicle Inlet DC1000V/200A;With 12V LED Cable Assembly		
			ENGR Jonny Mar-28-2024	CHKD Rock.chen	SIZE A3	DWG NO. C-HVCONF0101DLXXXX	REV 2	
ORIGINAL	THIS DOCUMENT CONTAINS PROPRIETARY INFORMATION WHICH IS THE CONFIDENTIAL PROPERTY OF Amphenol PCD Shenzhen Co. Ltd Amphenol PCD Shenzhen Co. Ltd RESERVES THE RIGHT TO CLARIFY THIS DRAWING		APPD Ben	SCALE N/A	SHEET 1 OF 2			

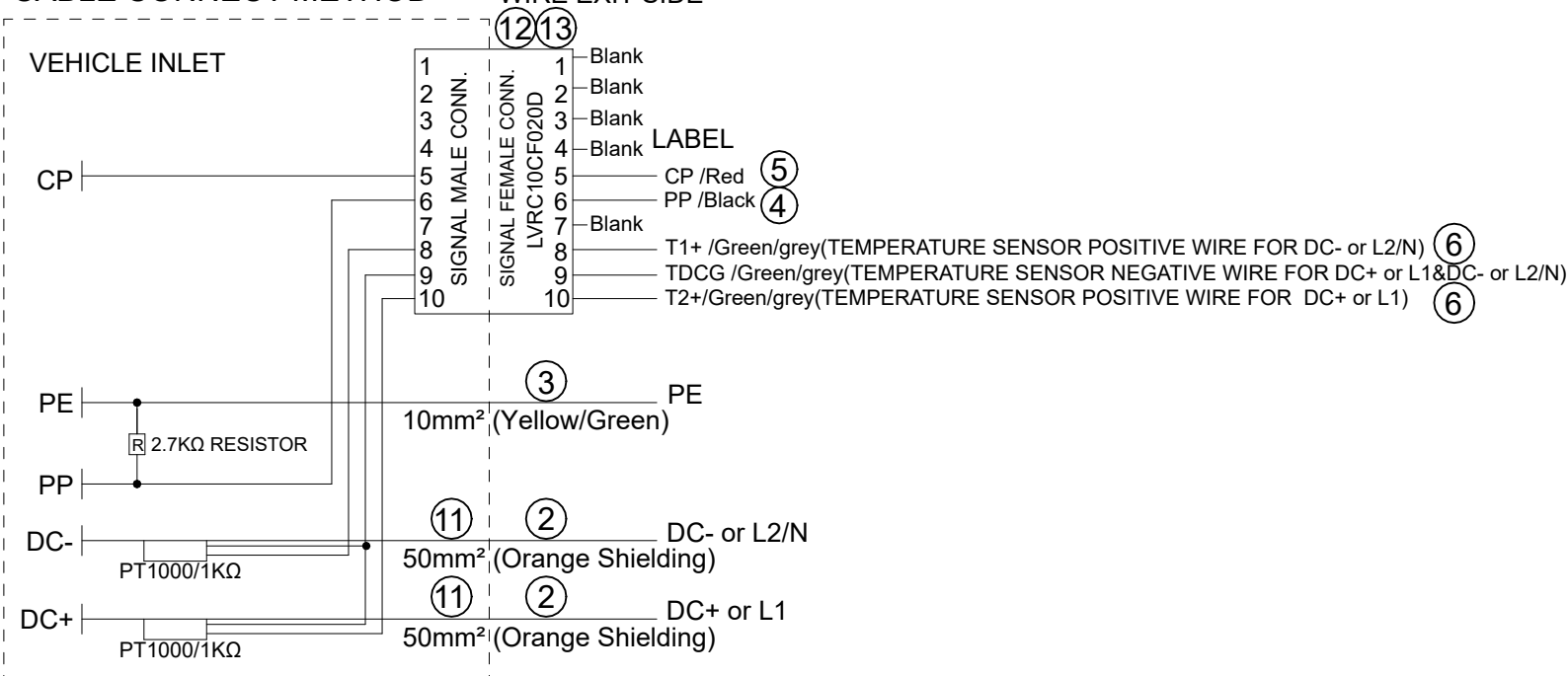
C-HVCONF0101DLXXXX

C-HVCONF0101DLXXXX

WIRE DIAGRAM FOR LED INDICATOR LIGHT



CABLE CONNECT METHOD



*Notes:

1.Cable Assembly Data:

★ Rated Voltage&Rated Current:

DC:1000V DC, 200A Max;

PE: 10mm² Ground;

CP:30V DC 2A;

PP:30V DC 2A;

★ Insulation Resistance:100MΩ Min(DC 1000V /DC+&DC-);

100MΩ Min(DC 500V /CP);

★ Withstand Voltage:3000V/AC r.m.s(DC+&DC-);

500V/AC r.m.s(CP);

★ IP-CLASS: IP44(Mated)

IP67&IP6K9K(INNER AREA OF VEHICLE INLET)

©Durability:10000 cycles(NACS PLUG);

★RoHS Compliance;

Ambient Temperature: -30°C to +50°C;

Insertion & Withdrawal Force: <100N

2.NACS Inlet Reference: C-HVCONF01XXD

3.NACS Inlet Reference Standard: UL2251;SAE J3400

4.The cable should be fixed at 100mm max from the rear of connector

5.Cable Minimum Bending Radius:≥5OD

6.E-Lock to be ordered separately P/N: HVEL12NS001,Mounting torque is 0.5±0.025 N.m

⑮	P05Z000089	CONVOLUTED TUBING BLACK: 8.5*11.5mm	AR	m
⑭	C210003609	CABLE TIE BLACK	1	EA
⑬	P01BS00025	SIGNAL TERMINAL: P01BS00025 FOR 0.5-0.75mm ²	5	EA
⑫	LVRC10CF020D	SIGNAL CONNECTOR: LVRC10CF020D 10POS	1	EA
⑪	C2100054203	SINGLE-WALL H.S.T: Ø20mm BLACK	0.10	m
⑩	C210006501	DOUBLE-WALL H.S.T: Ø20mm BLACK	0.15	m
⑨	C210006837	SINGLE-WALL H.S.T: Ø3.2mm WHITE	0.10	m
⑧	C210021008	SINGLE-WALL H.S.T: Ø8.0mm WHITE	0.05	m
⑦	C210004340	SINGLE-WALL H.S.T: Ø20mm WHITE	0.10	m
⑥	P01BC00159	1C*0.75mm ² UNSHIELDING, GREEN/GREY, XLPE, OD1.8±0.1	AR	m
⑤	P01BC00187	1C*0.75mm ² UNSHIELDING, RED, XLPE, OD1.8±0.1	AR	m
④	P01BC00186	1C*0.75mm ² UNSHIELDING, BLACK, XLPE, OD1.8±0.1	AR	m
③	P01BC00242	1C*10mm ² UNSHIELDING, YELLOW/GREEN, XLPE, OD6.20±0.25	AR	m
②	P01BC00519	1C*50mm ² SHIELDING, ORANGE, XLPE, ID11.85±0.35, OD15.5±0.3	AR	m
①	HVCONF0101D	NACS VEHICLE INLET: HVCONF0101D, 200A, WITH 12V LED	1	EA
ITEM	P/N	DESCRIPTION	QTY	UNIT

SIZE	DWG NO.	REV
A3	C-HVCONF0101DLXXXX	2
SCALE	N/A	SHEET 2 OF 2

X-ON Electronics

Largest Supplier of Electrical and Electronic Components

Click to view similar products for [EV Connectors](#) category:

Click to view products by [Amphenol](#) manufacturer:

Other Similar products are found below :

[J2IV8021-02S1G0A0A0](#) [HVCONF0100S1L1000](#) [ECIV6323-017S1G1C1A0](#) [1624153](#) [1627635](#) [1405217](#) [HVSL362062A106I](#) [J2IV4021-10S1G0A0A1](#) [J2IV8021-06S1G0A0A0](#) [1158266](#) [1194398](#) [1210900](#) [1211202](#) [1211212](#) [1162163](#) [1162178](#) [1210902](#) [1211595](#) [1211606](#)
[1270310](#) [1162150](#) [1162144](#) [1211221](#) [1211222](#) [1211217](#) [1211210](#) [1211201](#) [1211206](#) [1162095](#) [1162148](#) [1211220](#) [1270297](#) [1271966](#)
[1271836](#) [1271960](#) [1288248](#) [1288250](#) [1295694](#) [1346562](#) [1346635](#) [1360818](#) [1379288](#) [1379294](#) [1408169](#) [1408170](#) [1427757](#) [1627693](#)
[1405216](#) [1628147](#)