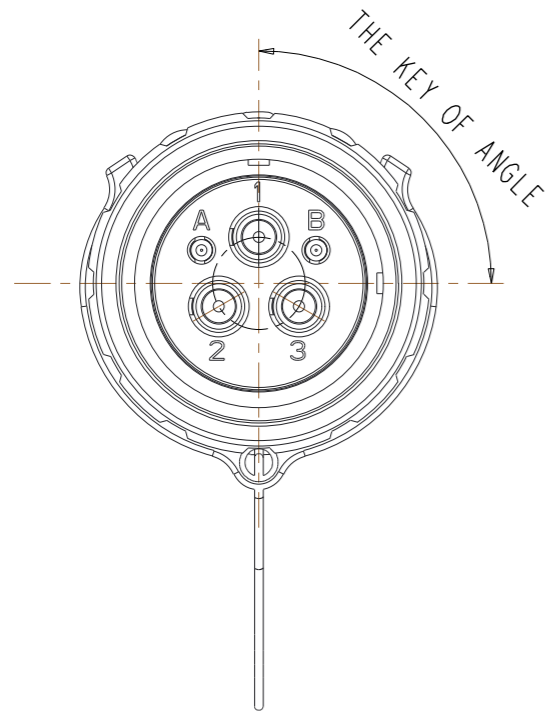
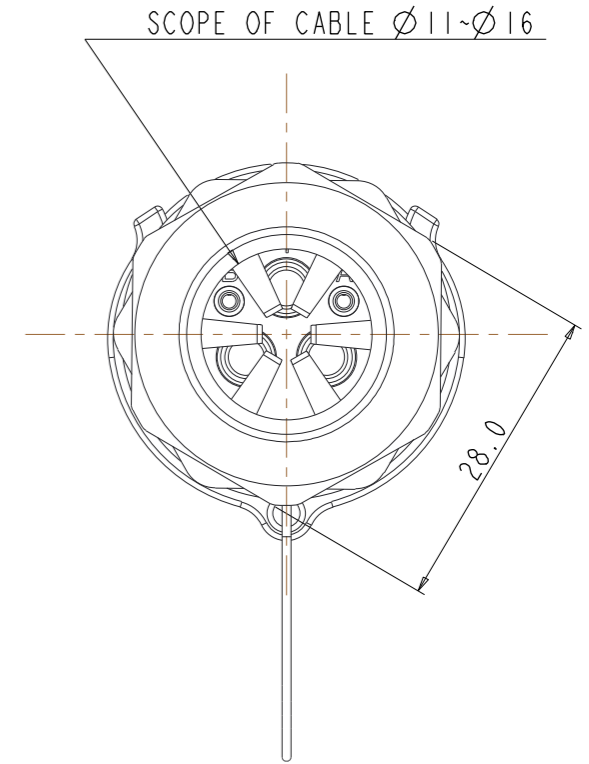
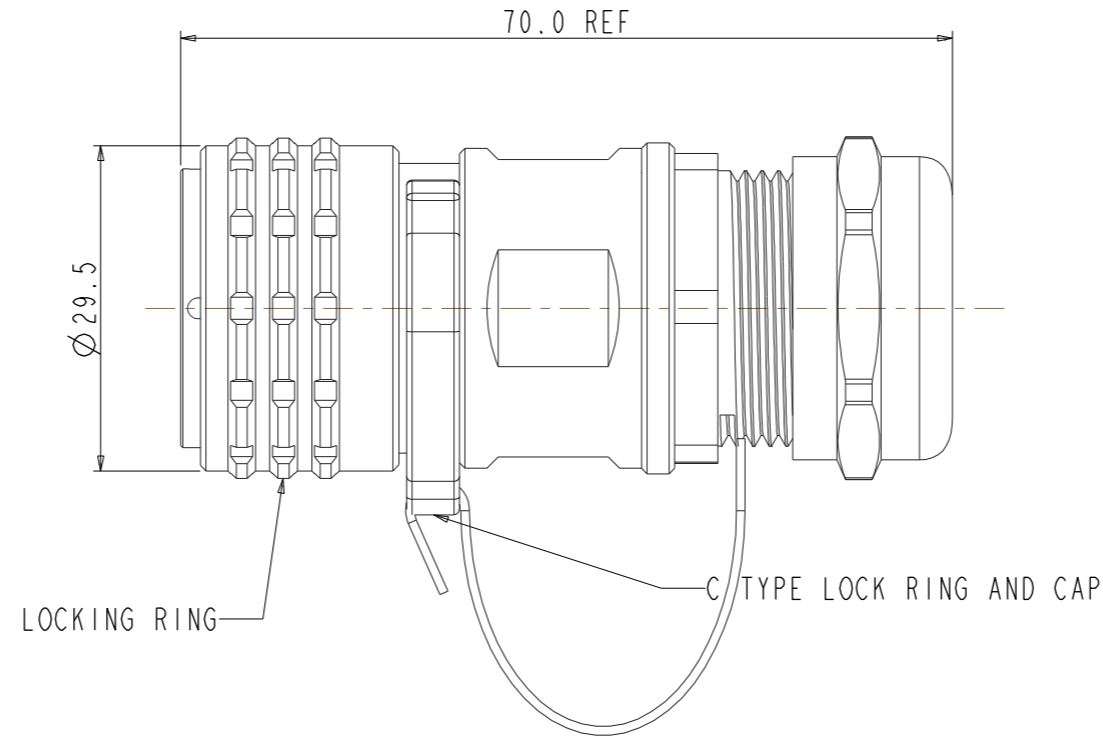


REV	ECN	DESCRIPTION	DATE	MODIFIED
G		UPDATE P/N DESCRIPTION	2016.12.15	ROY.QU

# CUSTOMER DRAWING



1,2,3=3.0MM PIN CONTACT  
A,B=1.0MM PIN CONTACT



NOTES:

- 1.FINISHED PRODUCT DOES HAVE NOT THE PIN,NEED TO BUY SEPARATE.
- 2.THE BIG PIN P/N FOR 4MM<sup>2</sup> CABLE:HVG30M4,USE LEVEL:3PCS  
THE BIG PIN P/N FOR 2.5MM<sup>2</sup> CABLE:HVG30M2,USE LEVEL:3PCS
- 3.THE SMALL PIN P/N:HVG20M1,USE LEVEL:2PCS
- 4.WIHT C TYPE LOCK RING AND CAP.
- 5.TORQUE: 10N\*M
- 6.THE SCOPE OF CABLE Ø11~Ø16
7. IF THE P/N WITHOUT ANGLE CODE,PLEASE DON'T CHOOSE YELLOW LOCKING RING.  
OTHER ANGLE AND COLOR CAN BE MATCHED IN ANY COMBINATION

ANGLE CODE	ANGLE OF KEY	COLOR CODE	COLOR OF LOCKING RING	P/N(FOR EXAMPLE)
WITHOUT	0°	WITHOUT	BLACK	HVGIP403MC
X	270°	R	RED	HVGIP403MCXR
Y	315°	Y	YELLOW	HVGIP403MCYY
Z	90°	B	BLUE	HVGIP403MCZB
W	45°	G	GREEN	HVGIP403MCWG

TECHNICAL DATA	
CURRENT RATE 2.5MM <sup>2</sup> WIRE	23A
CURRENT RATE 4MM <sup>2</sup> WIRE	32A
UL RATING VOLTAGE (POLLUTION DEGREE 2)	400VAC,690VDC
OPERATING TEMPERATURE	-40-125°C
DIELECTRIC WITHSTANDING VOLTAGE	3000V
INSULATION RESISTANCE	2000MEGOHMS MIN.(25°C)
DURABILITY	500 CYCLES
SHIELDING	YES
WATERPROOF(mated condition)	IP67
AMBIENT TEMPERATURE	-40~70°C

<b>DIMENSIONS</b> ANSI Y14.5M UNITS: MM Pro/E FILE	<b>TOLERANCES</b> X ±0.3 .XX ±0.20 ANGLES ±0.5°	<b>PROJECTION</b> 	<b>Amphenol Pcd Shenzhen</b>		<b>TITLE</b>  <b>TRIPLEX PLUG ASSEMBLY WITH INTERLOCK</b>		
			ENGR <b>ROY.QU</b>	2016.12.15			
<b>ORIGINAL</b> NOT FOR CUSTOMER DISTRIBUTION	THIS DOCUMENT CONTAINS PROPRIETARY INFORMATION WHICH IS THE CONFIDENTIAL PROPERTY OF AMPHENOL PCD SHENZHEN		CHKD	APPD	SIZE <b>A3</b>	DWG NO. <b>HVGIP-403MCX-XX</b>	REV <b>G</b>
			CODE: 58982		SCALE: 3:2		SHEET 1 OF 1

HVGIP-403MCX-XX

HVGIP-403MCX-XX

## X-ON Electronics

Largest Supplier of Electrical and Electronic Components

*Click to view similar products for [Standard Circular Connector](#) category:*

*Click to view products by [Amphenol](#) manufacturer:*

Other Similar products are found below :

[C015](#) [10F006](#) [001](#) [1](#) [5M2530B10P](#) [600247N007](#) [600259N006](#) [600273N007](#) [600432N009](#) [6280-2PG-519](#) [6280-3PG-311](#) [6280-3SG-311](#)  
[6280-7SG-3DC](#) [6280-7SG-522](#) [6282-5PG-311](#) [6282-6PG-519](#) [6282-8SG-311](#) [6283-11](#) [6283-15](#) [6290](#) [6382-2PG-311](#) [6382-2PG-3DC](#) [6382-](#)  
[2SG-321](#) [6382-2SG-3DC](#) [6382-4SG-516](#) [67-03E20-37P](#) [681-PMG](#) [CXS3102A14S2P](#) [CXS3102A181S](#) [CXS3106A14S6S](#) [MB12P-1](#)  
[MB12R-6](#) [7251-2PG-300](#) [7251-2SG-300](#) [7251-4PG-300](#) [7251-4SG-300](#) [7251-5PG-300](#) [7251-5SG-300](#) [7251-6SG-300](#) [7251-7PG-300](#) [7251-](#)  
[8PG-300](#) [7271-6SG-300](#) [7282-3PG-300-CH3](#) [73000005663](#) [75-190011-03P](#) [75-190216-08S](#) [75-190218-10P](#) [75-214636-52P](#) [75-474118-10P](#)  
[75-474211-03P](#) [75-474218-19S](#) [75-474618-01S](#) [75-474620-07P](#)