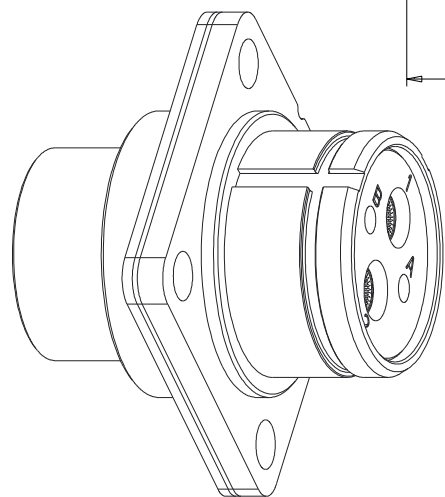
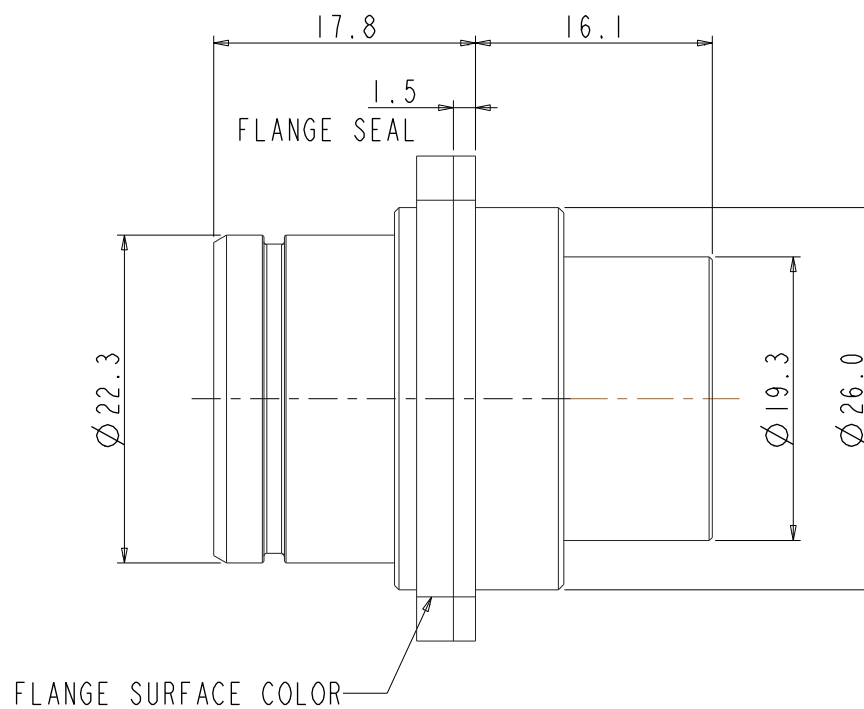
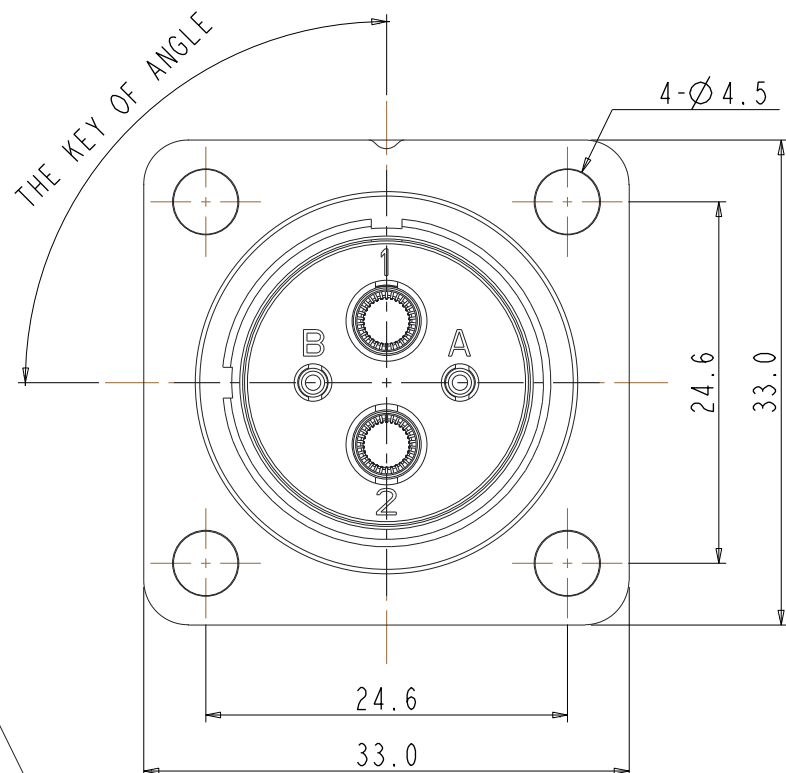


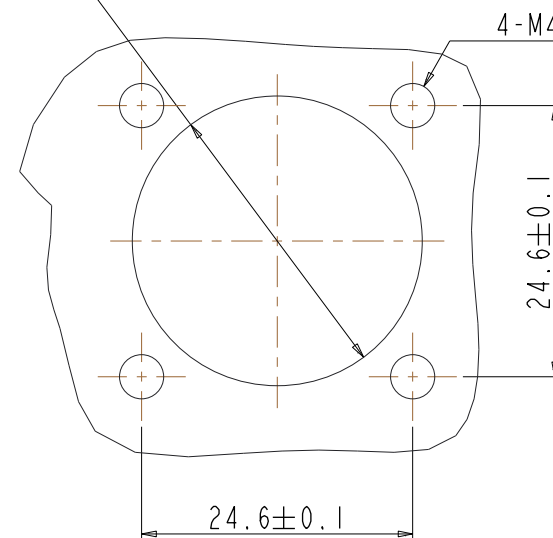
# CUSTOMER DRAWING

REV	ECN	DESCRIPTION	DATE	MODIFIED
G		UPDATE P/N DESCRIPTION	2016.12.15	ROY.QU



1,2=3.0MM FEMALE CONTACT  
A,B=1.0MM FEMALE CONTACT

Ø26.3±0.1  
FOR PANEL MOUNTING



NOTES:

1. FINISHED PRODUCT DOES HAVE NOT THE PIN, NEED TO BUY SEPARATE.
2. THE BIG PIN P/N FOR 4MM<sup>2</sup> CABLE: HVG30F4 OR HVG30FS4, USE LEVEL: 2PCS  
THE BIG PIN P/N FOR 2.5MM<sup>2</sup> CABLE: HVG30F2 OR HVG30FS2, USE LEVEL: 2PCS
3. THE SMALL PIN P/N: HVG20F1, USE LEVEL: 2PCS
4. IF THE P/N WITHOUT ANGLE CODE, PLEASE DON'T CHOOSE YELLOW FLANGE SURFACE. OTHER ANGLE AND COLOR CAN BE MATCHED IN ANY COMBINATION

ANGLE CODE	ANGLE OF KEY	COLOR CODE	FLANGE SURFACE COLOR	P/N(FOR EXAMPLE)
WITHOUT	0°	WITHOUT	COLOR ZINC	HVGIS402FC
X	270°	RD	RED	HVGIS402FCXRD
Y	315°	Y	YELLOW	HVGIS402FCYY
Z	90°	BL	BLUE	HVGIS402FCZBL
W	45°	G	GREEN	HVGIS402FCWG
		BK	BLACK	HVGIS402FCBK

TECHNICAL DATA	
CURRENT RATE(2.5MM <sup>2</sup> WIRE)	23A
CURRENT RATE(4MM <sup>2</sup> WIRE)	32A
UL RATING VOLTAGE POLLUTION DEGREE 2	400VAC, 690VDC
OPERATING TEMPERATURE	-40-125°C
DIELECTRIC WITHSTANDING VOLTAGE	3000V
INSULATION RESISTANCE	2000MEGOHMS MIN. (25°C)
DURABILITY	500 CYCLES
SHIELDING	YES
WATERPROOF (MATED CONDITION)	IP67
AMBIENT TEMPERATURE	-40-70°

DIMENSIONS	TOLERANCES	PROJECTION	TITLE	
ANSI Y14.5M UNITS: MM Pro/E FILE	X ±0.3 XX ±0.20 ANGLES ±0.5°		Amphenol Pcd Shenzhen	
ORIGINAL NOT FOR CUSTOMER DISTRIBUTION	THIS DOCUMENT CONTAINS PROPRIETARY INFORMATION WHICH IS THE CONFIDENTIAL PROPERTY OF AMPHENOL PCD SHENZHEN		ENGR ROY.QU	2016.12.15
			CHKD	
			APPD	
		SIZE <b>A3</b>	DWG NO. <b>HVGIS-402FCX-XX</b>	REV <b>G</b>
		CODE: 58982	SCALE: 2:1	SHEET 1 OF 1

HVGIS-402FCX-XX

HVGIS-402FCX-XX

## X-ON Electronics

Largest Supplier of Electrical and Electronic Components

*Click to view similar products for [Standard Circular Connector](#) category:*

*Click to view products by [Amphenol](#) manufacturer:*

Other Similar products are found below :

[600273N007](#) [6134-336-13149](#) [6134-337-11149](#) [6134-337-2390](#) [6134-341-17149](#) [67-02E12-60PX](#) [680-SMG](#) [CXS3102A181S](#)  
[D38999/20FC8SA L/C](#) [75-190216-08S](#) [75-190611-03S](#) [75-474014-05S](#) [75-474618-04S](#) [75-474620-07P](#) [799539-000](#) [805-005-07NF11-19PC](#)  
[805-005-07NF15-7PA](#) [FMP.2M.310.XLCT](#) [836783-1](#) [862256-1](#) [866857-1](#) [867865-1](#) [PT08P-14-19S](#) [PT08P-14-5S](#) [QCM019PC2DC012B](#)  
[121583-0217](#) [121667-0020](#) [RD10A16-19-P6CS051/1](#) [RD16A14-12-S6CS051/2](#) [1301240268](#) [1301240275](#) [1301860906](#) [DCU-08BFEA-](#)  
[LL7001](#) [RM15WTP-CP\(5\)\(71\)](#) [14482](#) [16283-18](#) [1877910-1](#) [206039-3](#) [206323-1](#) [207002-2](#) [207682-1](#) [CA06COME14SA7P](#) [211777-1](#) [JL04-](#)  
[1012CK\(05\)-R](#) [JL04V-2A28-11PE-R](#) [JL04V-2E10SL-3PE-B-R](#) [JL04V-2E20-15PE-B-R](#) [JL04V-2E20-4PE-B-R](#) [JL04V-2E24-10PE\(G\)-B-R](#)  
[JL04V-6A24-11SE-EB-R](#)