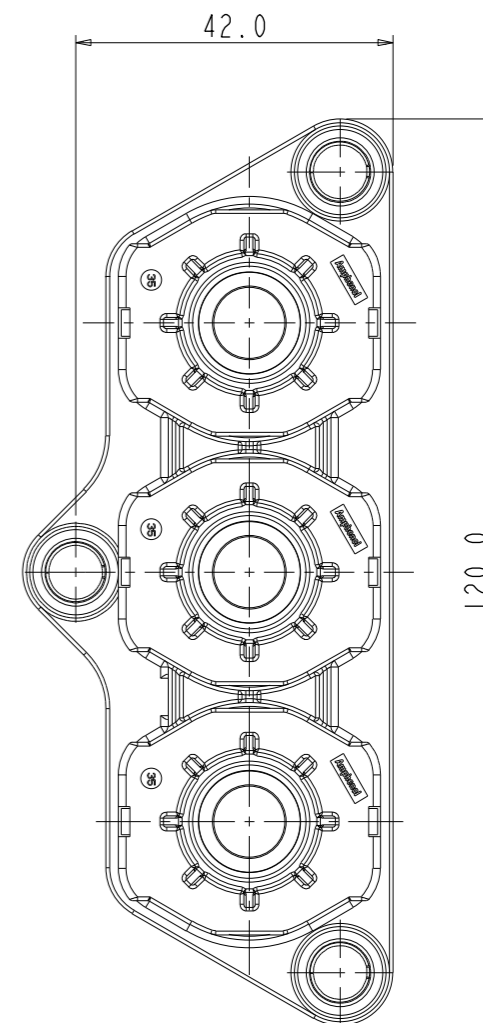
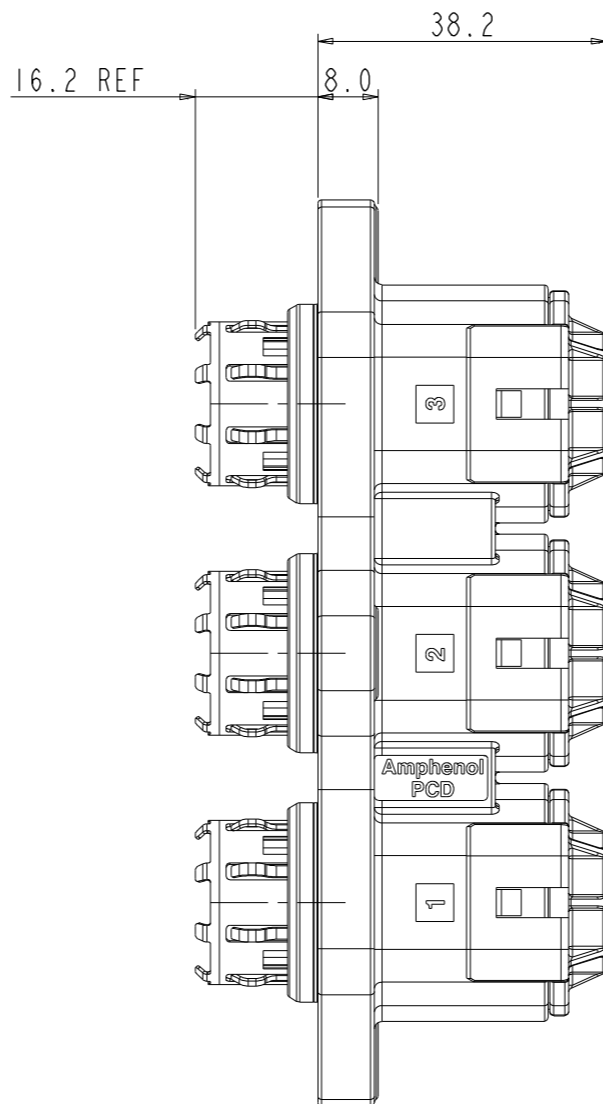
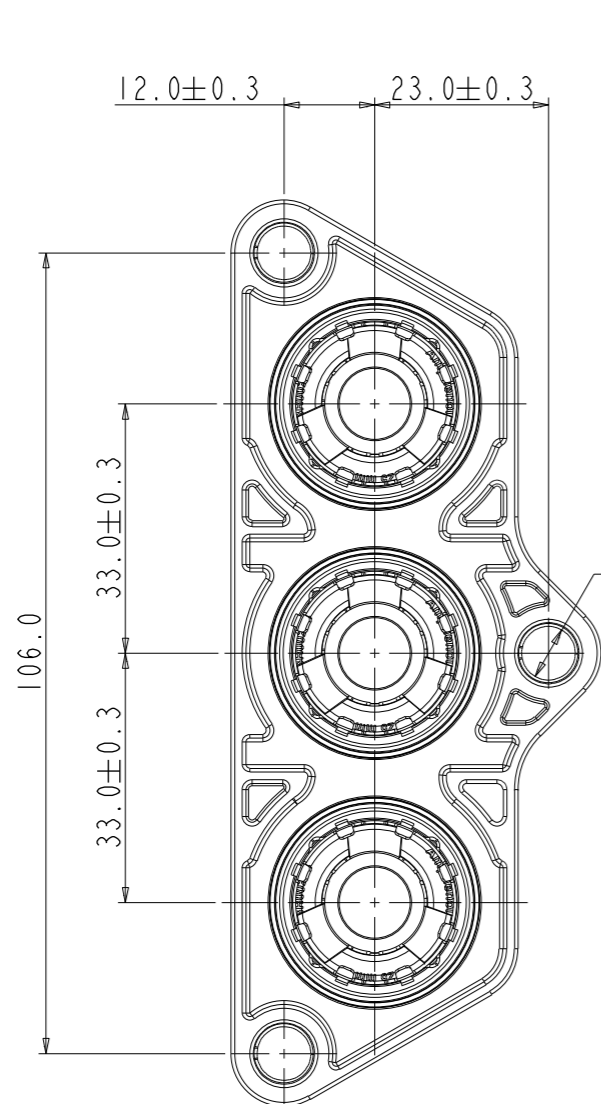


Amphenol PCDSZ
ORIGINAL
PDF Format
R&D

REV	ECN	DESCRIPTION	DATE	MODIFIED
A		Release	2017.03.20	Jason
B	C4045N	Change the technical data	2020.01.04	Holiday
C	R4119N	Increase part details	2020.02.24	Holiday
D	R5317W	Change cable sealing	2021.04.09	Sevn

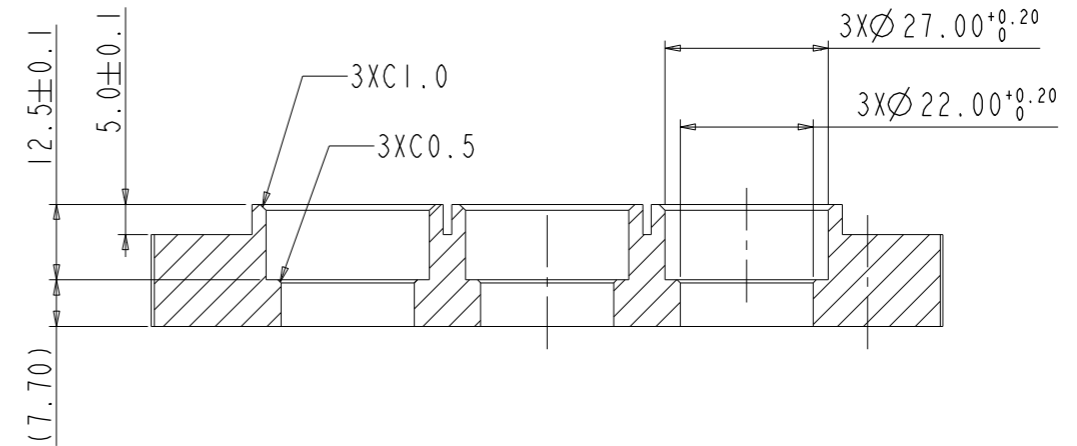
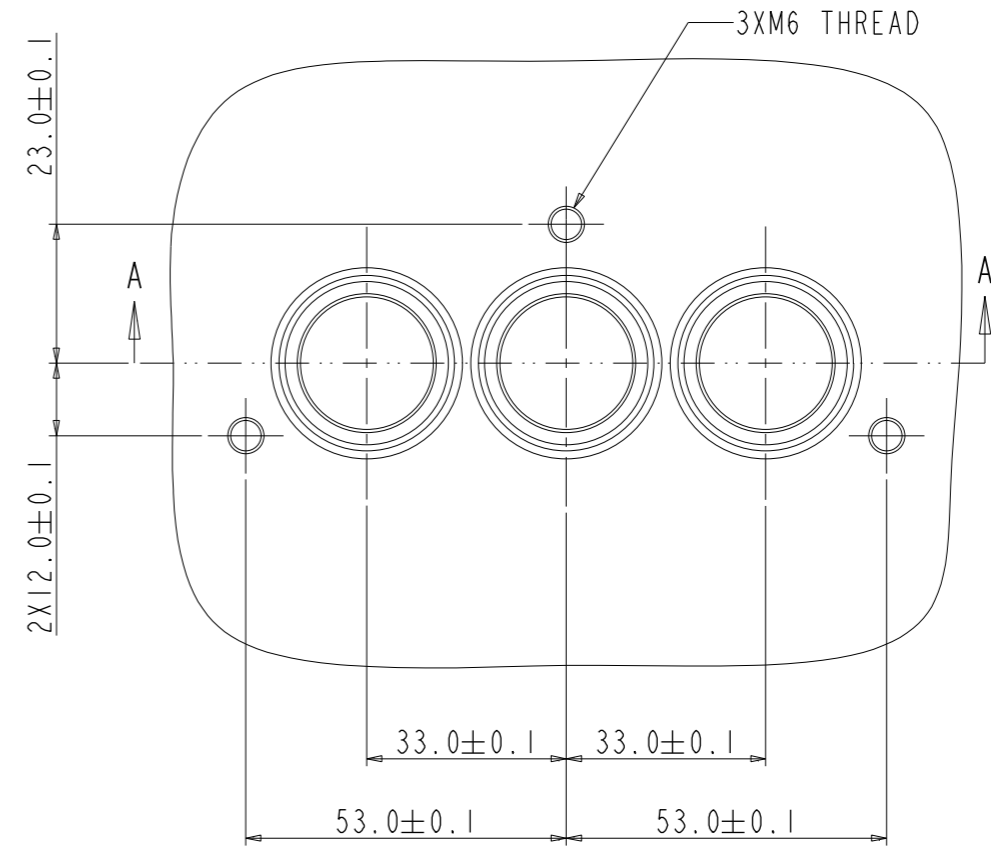
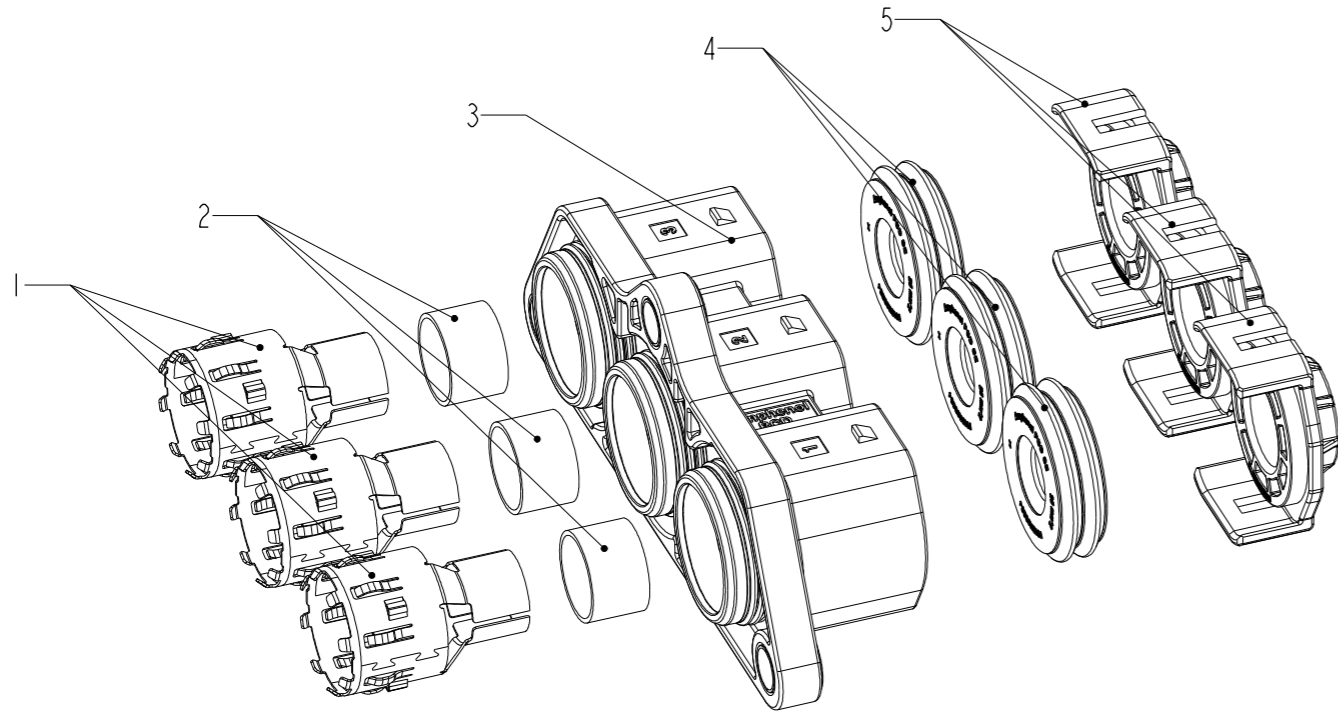


HVPTB 3 N XX

- 25: FOR 25mm² Shielded WIRE;OD=11.9±0.4mm
- 35: FOR 35mm² Shielded WIRE;OD=14.2±0.4mm
- 50: FOR 50mm² Shielded WIRE;OD=16.5±0.4mm
- 70: FOR 70mm² Shielded WIRE;OD=19.0±0.4mm

TECHNICAL DATA:		
OPERATING TEMPERATURE	-40-125°C	
SHIELDING	YES	
RoHS	YES	+
WATERPROOF	IP67&IP6K9K	+
CORROSION-PROOF GRADE (SALT FOG TEST)	48 HOURS	

DIMENSIONS	TOLERANCES	PROJECTION	TITLE	
ANSI Y14.5M UNITS: MM Pro/E FILE	.X ±0.5 .XX ±0.05 ANGLES ±2°		Amphenol PCD Shenzhen	
ORIGINAL	THIS DOCUMENT CONTAINS PROPRIETARY INFORMATION WHICH IS THE CONFIDENTIAL PROPERTY OF Amphenol PCD Shenzhen Co. Ltd Amphenol PCD Shenzhen Co. Ltd RESERVES THE RIGHT TO CLARIFY THIS DRAWING	ENGR JASON.C 2017.3.20	HVPTB 3 POS	
		CHKD <i>Sevn</i> APPD <i>Derek</i>	SIZE A3	DWG NO. C-HVPTB3XXX
		CODE: 58982	SCALE: 3:10	SHEET 1 OF 2



PANNEL DRAWING

ITEM	P/N	DESCRIPTION	QTY
1	C310003642	SHIELDING FOR 25MM ² CABLE	3
	C310003643	SHIELDING FOR 35MM ² CABLE	
	C310003644	SHIELDING FOR 50MM ² CABLE	
	C310003645	SHIELDING FOR 70MM ² CABLE	
2	C2000036633	OUT FERRULE FOR 25MM ² CABLE	3
	C2000036632	OUT FERRULE FOR 35MM ² CABLE	
	C2000036631	OUT FERRULE FOR 50MM ² CABLE	
	C2000036630	OUT FERRULE FOR 70MM ² CABLE	
3	P02B000085	HVPTB BODY	1
4	P01BR00284	Cable sealing for 25MM ²	3
	P01BR00285	Cable sealing for 35MM ²	
	P01BR00286	Cable sealing for 50MM ²	
	P01BR00287	Cable sealing for 70MM ²	
5	c2200037253	BACK CAP FOR 25MM ² CABLE	3
	c2200037252	BACK CAP FOR 35MM ² CABLE	
	c2200037251	BACK CAP FOR 50MM ² CABLE	
	c2200037254	BACK CAP FOR 70MM ² CABLE	

HVPTB3N XX

X-ON Electronics

Largest Supplier of Electrical and Electronic Components

Click to view similar products for [Heavy Duty Power Connectors](#) category:

Click to view products by [Amphenol](#) manufacturer:

Other Similar products are found below :

[647757-1](#) [6643411-1](#) [6646058-2](#) [6646137-1](#) [6646138-1](#) [6646479-1](#) [6646608-1](#) [6646786-1](#) [6646940-1](#) [6651091-1](#) [6651525-1](#) [6651529-1](#)
[6651788-1](#) [696475-1](#) [73000005059](#) [73000005642](#) [765-15-0080A](#) [765-16-0080B](#) [829992-1](#) [902-77-02113](#) [129-1J](#) [AN0024023](#) [E6374G1](#)
[e6389g2](#) [157-43GW8](#) [MS3117-14AC](#) [1643543-1](#) [1650540-1](#) [1651811-2](#) [1766260-1](#) [1766282-1](#) [1766966-1](#) [1791340000](#) [NLDFT-3-BL-L-](#)
[S120-M40A](#) [NLDFT-N-W-L-C240-M40B](#) [NLS-2-R-C240-M40B](#) [NLS-N-W-C240-M40B](#) [NPS-3-BL-T6](#) [1986615-1](#) [2-1589900-8](#) [2199314-1](#)
[KA8102](#) [9300480317](#) [SBS50BRN#6](#) [29131](#) [29652](#) [1646905-1](#) [1648320-1](#) [1648582-1](#) [1650195-2](#)